

Excellent Integrated System Limited

Stocking Distributor

Click to view price, real time Inventory, Delivery & Lifecycle Information:

[Vishay Spectrol](#)
[11A11B10](#)

For any questions, you can email us directly:

sales@integrated-circuit.com



www.vishay.com

Model 11
 Vishay Spectrol

25.4 mm Diameter Eleven Turn Dial



RoHS
 COMPLIANT

QUICK REFERENCE DATA

| | |
|------------------|------------------|
| Sensor type | DIALS |
| Market appliance | Industrial |
| Dimensions | 25.4 mm diameter |

FEATURES

- Round vernier scale
- 1" diameter
- 1/4" or 1/8" shaft adapter
- Black chrome finish with white markings
- Brushed chrome finish with black markings
- Satin chrome finish with black or white markings
- Material categorization: For definitions of compliance please see www.vishay.com/doc?99912

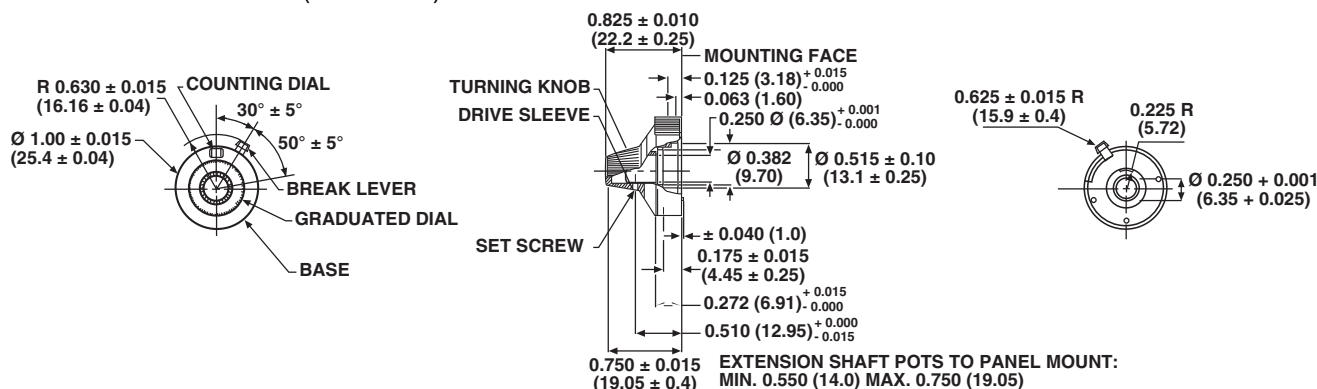
MECHANICAL SPECIFICATIONS

| PARAMETER | |
|------------------|--|
| Runout | Dial to be free running and without binds, with axis of drive sleeve perpendicular or in any position within 0.004 per inch (0.10) out of perpendicular with the mounting face |
| Mounting | Directly to shaft with #2 - 56 spline socket set screw. Drive sleeve set screw on lower side of vertical center line with a graduated circular dial reading of 0 |
| Numeral Size | 0.075 height (1.90) x 0.013 width (0.33) of line |
| Graduation size: | |
| Numeral | 0.040" L (1.02 cm) |
| Intermediate | 0.030" L (0.76 cm) |
| Width | 0.010" (0.25 cm) |
| Weight | 0.7 oz. max. (19.84 g) |

OPERATIONAL SPECIFICATIONS

| | |
|-----------------------|---|
| Indication | Single counter type wheel and a graduated circular dial registering a total count of 11 turns |
| Operation | Single numeral in window (0 thru 10) indicates completed number of turns of the drive sleeve. Graduated circular dial indicates the percent of the partial turn of the drive sleeve |
| Transfer point | Between 97 and 0 |
| Rotation | |
| Increasing indication | CW direction |
| Decreasing indication | CCW direction |
| Accuracy | Zero backlash between dial and the drive sleeve |

DIMENSIONS in inches (millimeters)



ORDERING INFORMATION/DESCRIPTION

| 11 | A | 11 | B010 | e |
|-------|---|--|-----------|-------------|
| MODEL | SHAFT DIAMETER | FINISH AND OTHER FEATURES | PACKAGING | LEAD FINISH |
| | A 1/4" Shaft (standard) B 1/8" Shaft adapter | 11. Satin chrome, black markings 21. Black chrome, white markings 31. Brushed chrome, black markings 41. Satin chrome, white markings | | |

Example: 11 - A - 11

SAP PART NUMBERING GUIDELINES

| 11 | A | 11 | B10 |
|-------|----------------|--------|-----------|
| MODEL | SHAFT DIAMETER | FINISH | PACKAGING |



Disclaimer

ALL PRODUCT, PRODUCT SPECIFICATIONS AND DATA ARE SUBJECT TO CHANGE WITHOUT NOTICE TO IMPROVE RELIABILITY, FUNCTION OR DESIGN OR OTHERWISE.

Vishay Intertechnology, Inc., its affiliates, agents, and employees, and all persons acting on its or their behalf (collectively, "Vishay"), disclaim any and all liability for any errors, inaccuracies or incompleteness contained in any datasheet or in any other disclosure relating to any product.

Vishay makes no warranty, representation or guarantee regarding the suitability of the products for any particular purpose or the continuing production of any product. To the maximum extent permitted by applicable law, Vishay disclaims (i) any and all liability arising out of the application or use of any product, (ii) any and all liability, including without limitation special, consequential or incidental damages, and (iii) any and all implied warranties, including warranties of fitness for particular purpose, non-infringement and merchantability.

Statements regarding the suitability of products for certain types of applications are based on Vishay's knowledge of typical requirements that are often placed on Vishay products in generic applications. Such statements are not binding statements about the suitability of products for a particular application. It is the customer's responsibility to validate that a particular product with the properties described in the product specification is suitable for use in a particular application. Parameters provided in datasheets and / or specifications may vary in different applications and performance may vary over time. All operating parameters, including typical parameters, must be validated for each customer application by the customer's technical experts. Product specifications do not expand or otherwise modify Vishay's terms and conditions of purchase, including but not limited to the warranty expressed therein.

Except as expressly indicated in writing, Vishay products are not designed for use in medical, life-saving, or life-sustaining applications or for any other application in which the failure of the Vishay product could result in personal injury or death. Customers using or selling Vishay products not expressly indicated for use in such applications do so at their own risk. Please contact authorized Vishay personnel to obtain written terms and conditions regarding products designed for such applications.

No license, express or implied, by estoppel or otherwise, to any intellectual property rights is granted by this document or by any conduct of Vishay. Product names and markings noted herein may be trademarks of their respective owners.