

Excellent Integrated System Limited

Stocking Distributor

Click to view price, real time Inventory, Delivery & Lifecycle Information:

[Vishay Spectrol](#)
[21PA11B10](#)

For any questions, you can email us directly:

sales@integrated-circuit.com



www.vishay.com

MODEL 21P

Vishay Spectrol

46.0 mm Diameter Eleven Turn Dial



FEATURES

- Round vernier scale
- 1 13/16" dia. (46.0 mm)
- Material: plastic ABS mold
- Finish: metallized clear (aluminum)
- Material categorization: For definitions of compliance please see www.vishay.com/doc?99912



RoHS
COMPLIANT

QUICK REFERENCE DATA

Sensor type	DIALS
Market appliance	Industrial
Dimensions	46 mm dia.

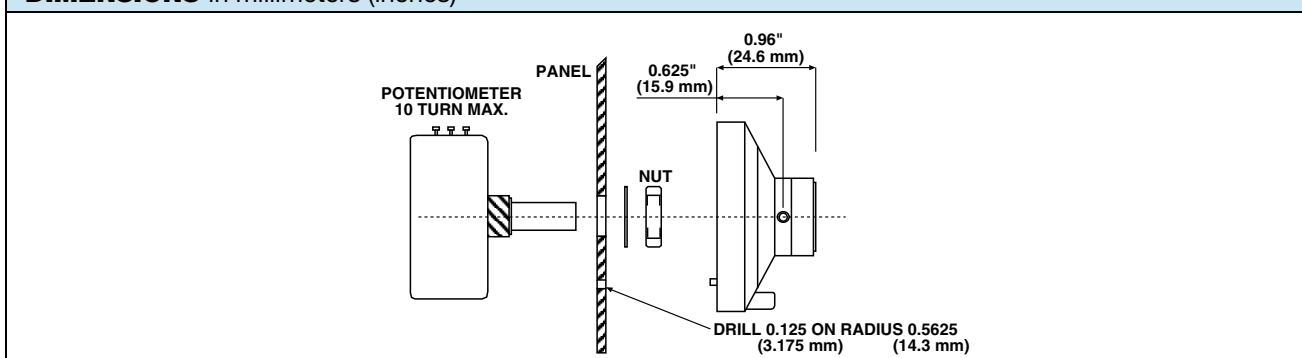
MECHANICAL SPECIFICATIONS

Mounting	Direct to shaft with # 4 to 40 unc hext socket set screw located adjacent to no. 75 on graduated dial
Numeral size: Counter wheel Graduated dial	1/12" x 1/16" (2.0 mm x 1.6 mm) 1/8" x 1/12" (3.2 mm x 2.0 mm)
Graduation size: Numeral and every fifth Intermediate Width	1/12" (2.0 mm) 1/24" (1.0 mm) 0.01" (0.2 mm)
Weight	13 g

OPERATIONAL SPECIFICATIONS

Readout and operation	1099 turns total. The number in window (0 thru 10) indicates completed number of turn of the drive sleeve. Graduated circular dial indicates the percent of the partial turn of the drive sleeve
Transfer point	The number in center of window shall change as graduated dial rotates between 98 and 0
Rotation	Readout shall increase with CW and decrease with CCW rotation
Accuracy	Zero backlash between graduated dial and drive sleeve

DIMENSIONS in millimeters (inches)



ORDERING INFORMATION/DESCRIPTION

21P	A	11	B010	e
MODEL	SHAFT DIAMETER AND ACCOMODATION	FINISH	PACKAGING	LEAD FINISH
	A 1/4" shaft (standard) B 6 mm shaft	Metallized clear (aluminium)		

Example: 21P - A - 11

SAP PART NUMBERING GUIDELINES

21P	A	11	B10
MODEL	SHAFT DIAMETER	FINISH	PACKAGING



Disclaimer

ALL PRODUCT, PRODUCT SPECIFICATIONS AND DATA ARE SUBJECT TO CHANGE WITHOUT NOTICE TO IMPROVE RELIABILITY, FUNCTION OR DESIGN OR OTHERWISE.

Vishay Intertechnology, Inc., its affiliates, agents, and employees, and all persons acting on its or their behalf (collectively, "Vishay"), disclaim any and all liability for any errors, inaccuracies or incompleteness contained in any datasheet or in any other disclosure relating to any product.

Vishay makes no warranty, representation or guarantee regarding the suitability of the products for any particular purpose or the continuing production of any product. To the maximum extent permitted by applicable law, Vishay disclaims (i) any and all liability arising out of the application or use of any product, (ii) any and all liability, including without limitation special, consequential or incidental damages, and (iii) any and all implied warranties, including warranties of fitness for particular purpose, non-infringement and merchantability.

Statements regarding the suitability of products for certain types of applications are based on Vishay's knowledge of typical requirements that are often placed on Vishay products in generic applications. Such statements are not binding statements about the suitability of products for a particular application. It is the customer's responsibility to validate that a particular product with the properties described in the product specification is suitable for use in a particular application. Parameters provided in datasheets and / or specifications may vary in different applications and performance may vary over time. All operating parameters, including typical parameters, must be validated for each customer application by the customer's technical experts. Product specifications do not expand or otherwise modify Vishay's terms and conditions of purchase, including but not limited to the warranty expressed therein.

Except as expressly indicated in writing, Vishay products are not designed for use in medical, life-saving, or life-sustaining applications or for any other application in which the failure of the Vishay product could result in personal injury or death. Customers using or selling Vishay products not expressly indicated for use in such applications do so at their own risk. Please contact authorized Vishay personnel to obtain written terms and conditions regarding products designed for such applications.

No license, express or implied, by estoppel or otherwise, to any intellectual property rights is granted by this document or by any conduct of Vishay. Product names and markings noted herein may be trademarks of their respective owners.