

## Excellent Integrated System Limited

Stocking Distributor

Click to view price, real time Inventory, Delivery & Lifecycle Information:

[Infineon Technologies](#)  
[BFR 705L3RH E6327](#)

For any questions, you can email us directly:

[sales@integrated-circuit.com](mailto:sales@integrated-circuit.com)

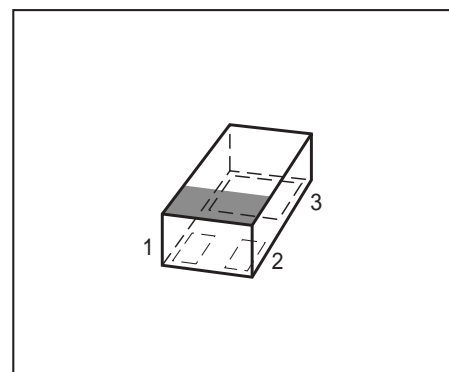


## BFR705L3RH

### NPN Silicon Germanium RF Transistor\*

- High gain ultra low noise RF transistor for low current operation
- Ideal for low power consumption LNA design
- Provides outstanding performance for a wide range of wireless applications up to 10 GHz and more
- Outstanding noise figure  $F = 0.5$  dB at 1.8 GHz  
Outstanding noise figure  $F = 0.8$  dB at 6 GHz
- High maximum stable and available gain at only 7m.  
 $G_{ms} = 25$  dB at 1.8 GHz,  $G_{ma} = 18$  dB at 6 GHz
- 150 GHz  $f_T$ -Silicon Germanium technology
- Extremely small and flat leadless package, height 0.32 mm max.
- Pb-free (RoHS compliant) package<sup>1)</sup>
- Qualified according AEC Q101

\* Short term description



**ESD (Electrostatic discharge) sensitive device, observe handling precaution!**

Type	Marking	Pin Configuration			Package
BFR705L3RH	R1	1=B	2=C	3=E	TSLP-3-9

<sup>1</sup>Pb-containing package may be available upon special request



## BFR705L3RH

### Maximum Ratings

Parameter	Symbol	Value	Unit
Collector-emitter voltage $T_A > 0^\circ\text{C}$ $T_A \leq 0^\circ\text{C}$	$V_{\text{CEO}}$	4 3.5	V
Collector-emitter voltage	$V_{\text{CES}}$	13	
Collector-base voltage	$V_{\text{CBO}}$	13	
Emitter-base voltage	$V_{\text{EBO}}$	1.2	
Collector current	$I_{\text{C}}$	10	mA
Base current	$I_{\text{B}}$	1	
Total power dissipation <sup>1)</sup> , $T_{\text{S}} \leq 123^\circ\text{C}$	$P_{\text{tot}}$	40	mW
Junction temperature	$T_{\text{j}}$	150	$^\circ\text{C}$
Ambient temperature	$T_{\text{A}}$	-65 ... 150	
Storage temperature	$T_{\text{stg}}$	-65 ... 150	

### Thermal Resistance

Parameter	Symbol	Value	Unit
Junction - soldering point <sup>2)</sup>	$R_{\text{thJS}}$	$\leq 665$	K/W

### Electrical Characteristics at $T_A = 25^\circ\text{C}$ , unless otherwise specified

Parameter	Symbol	Values			Unit
		min.	typ.	max.	

### DC Characteristics

Collector-emitter breakdown voltage $I_{\text{C}} = 1\text{ mA}$ , $I_{\text{B}} = 0$	$V_{(\text{BR})\text{CEO}}$	4	4.7	-	V
Collector-emitter cutoff current $V_{\text{CE}} = 13\text{ V}$ , $V_{\text{BE}} = 0$	$I_{\text{CES}}$	-	-	30	$\mu\text{A}$
Collector-base cutoff current $V_{\text{CB}} = 5\text{ V}$ , $I_{\text{E}} = 0$	$I_{\text{CBO}}$	-	-	100	nA
Emitter-base cutoff current $V_{\text{EB}} = 0.5\text{ V}$ , $I_{\text{C}} = 0$	$I_{\text{EBO}}$	-	-	1	$\mu\text{A}$
DC current gain $I_{\text{C}} = 7\text{ mA}$ , $V_{\text{CE}} = 3\text{ V}$ , pulse measured	$h_{\text{FE}}$	160	250	400	-

<sup>1</sup>  $T_{\text{S}}$  is measured on the collector lead at the soldering point to the pcb

<sup>2</sup> For calculation of  $R_{\text{thJA}}$  please refer to Application Note Thermal Resistance



## BFR705L3RH

Electrical Characteristics at  $T_A = 25^\circ\text{C}$ , unless otherwise specified

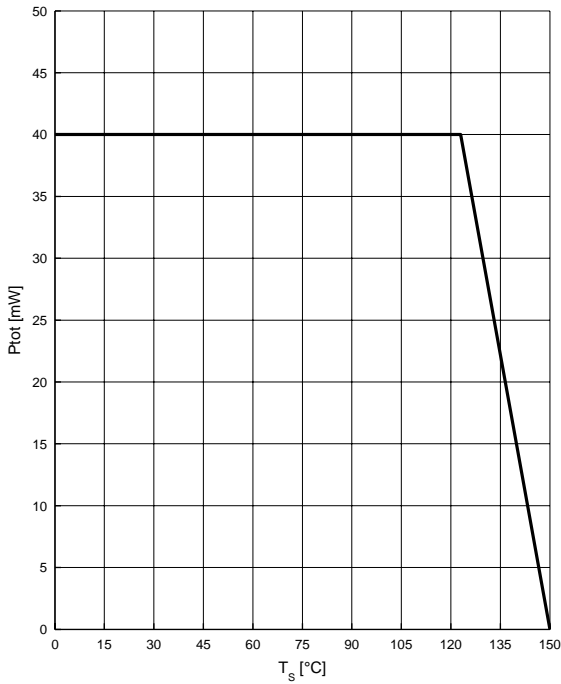
Parameter	Symbol	Values			Unit
		min.	typ.	max.	
<b>AC Characteristics</b> (verified by random sampling)					
Transition frequency $I_C = 7\text{ mA}$ , $V_{CE} = 3\text{ V}$ , $f = 1\text{ GHz}$	$f_T$	-	39	-	GHz
Collector-base capacitance $V_{CB} = 3\text{ V}$ , $f = 1\text{ MHz}$ , $V_{BE} = 0$ , emitter grounded	$C_{cb}$	-	0.04	0.08	pF
Collector emitter capacitance $V_{CE} = 3\text{ V}$ , $f = 1\text{ MHz}$ , $V_{BE} = 0$ , base grounded	$C_{ce}$	-	0.15	-	
Emitter-base capacitance $V_{EB} = 0.5\text{ V}$ , $f = 1\text{ MHz}$ , $V_{CB} = 0$ , collector grounded	$C_{eb}$	-	0.18	-	
Noise figure $I_C = 3\text{ mA}$ , $V_{CE} = 3\text{ V}$ , $f = 1.8\text{ GHz}$ , $Z_S = Z_{Sopt}$ $I_C = 3\text{ mA}$ , $V_{CE} = 3\text{ V}$ , $f = 6\text{ GHz}$ , $Z_S = Z_{Sopt}$	$F$	-	0.5 0.8	-	dB
Power gain, maximum stable <sup>1)</sup> $I_C = 7\text{ mA}$ , $V_{CE} = 3\text{ V}$ , $Z_S = Z_{Sopt}$ , $Z_L = Z_{Lopt}$ , $f = 1.8\text{ GHz}$	$G_{ms}$	-	25	-	dB
Power gain, maximum available <sup>1)</sup> $I_C = 7\text{ mA}$ , $V_{CE} = 3\text{ V}$ , $Z_S = Z_{Sopt}$ , $Z_L = Z_{Lopt}$ , $f = 6\text{ GHz}$	$G_{ma}$	-	18	-	dB
Transducer gain $I_C = 7\text{ mA}$ , $V_{CE} = 3\text{ V}$ , $Z_S = Z_L = 50\ \Omega$ , $f = 1.8\text{ GHz}$ $f = 6\text{ GHz}$	$ S_{21e} ^2$	-	21 14	-	dB

<sup>1)</sup> $G_{ma} = |S_{21e} / S_{12e}| (k - (k^2 - 1)^{1/2})$ ,  $G_{ms} = |S_{21e} / S_{12e}|$

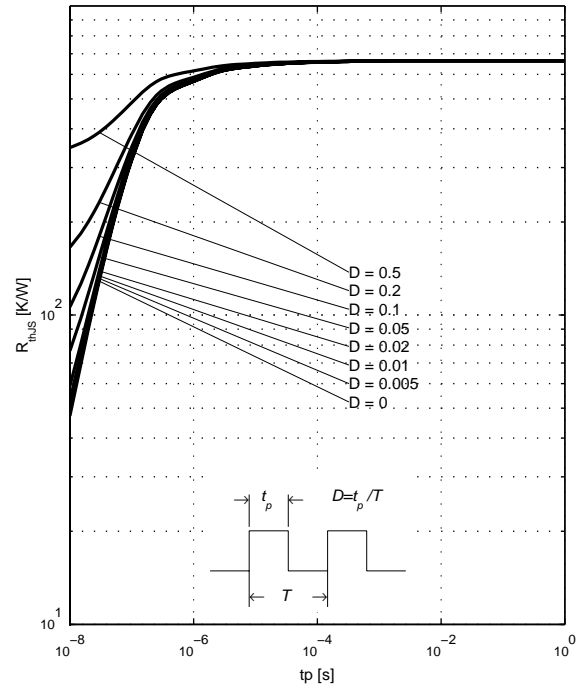


**BFR705L3RH**

**Total power dissipation  $P_{tot} = f(T_S)$**

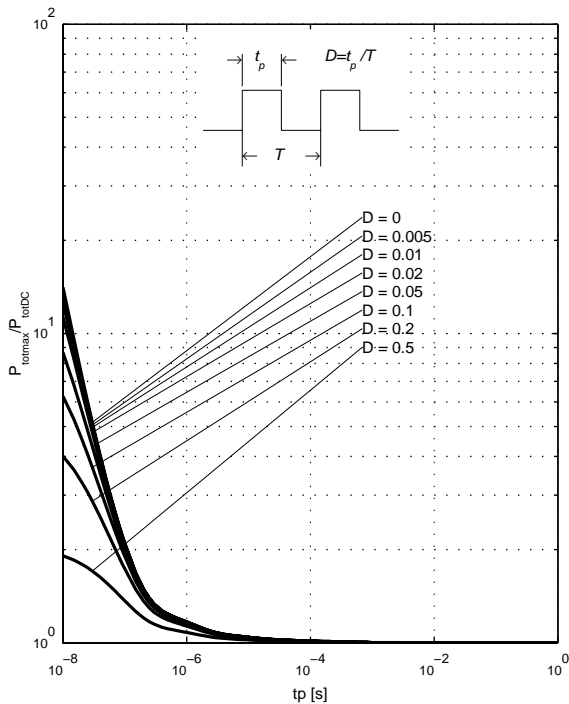


**Permissible Puls Load  $R_{thJS} = f(t_p)$**



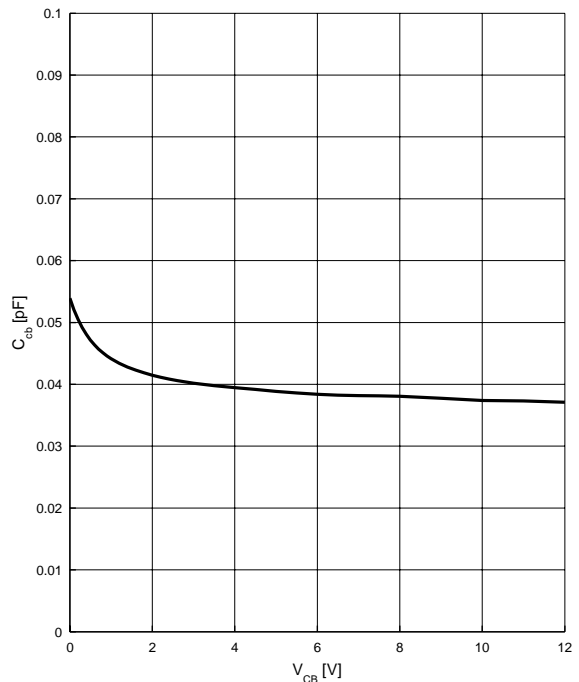
**Permissible Pulse Load**

$P_{totmax}/P_{totDC} = f(t_p)$



**Collector-base capacitance  $C_{cb} = f(V_{CB})$**

$f = 1 \text{ MHz}$

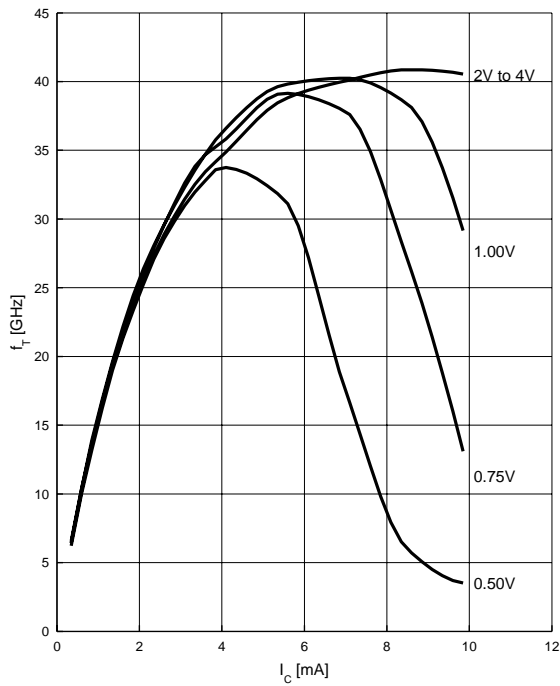




**BFR705L3RH**

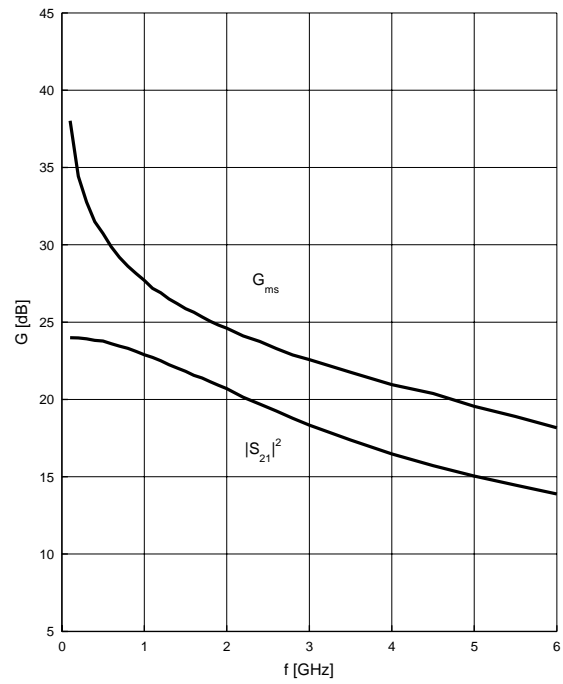
**Transition frequency  $f_T = f(I_C)$**

$V_{CE} = \text{parameter}$ ,  $f = 1 \text{ GHz}$



**Power gain  $G_{ma}$ ,  $G_{ms} = f(f)$**

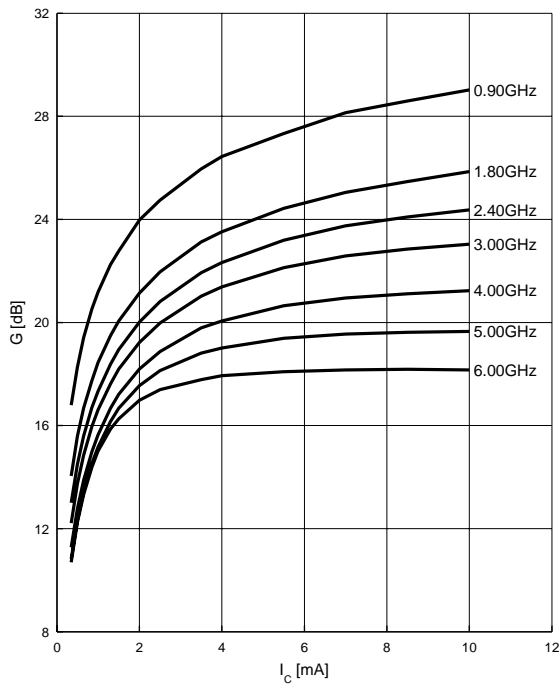
$V_{CE} = 2 \text{ V}$ ,  $I_C = 7 \text{ mA}$



**Power gain  $G_{ma}$ ,  $G_{ms} = f(I_C)$**

$V_{CE} = 3 \text{ V}$

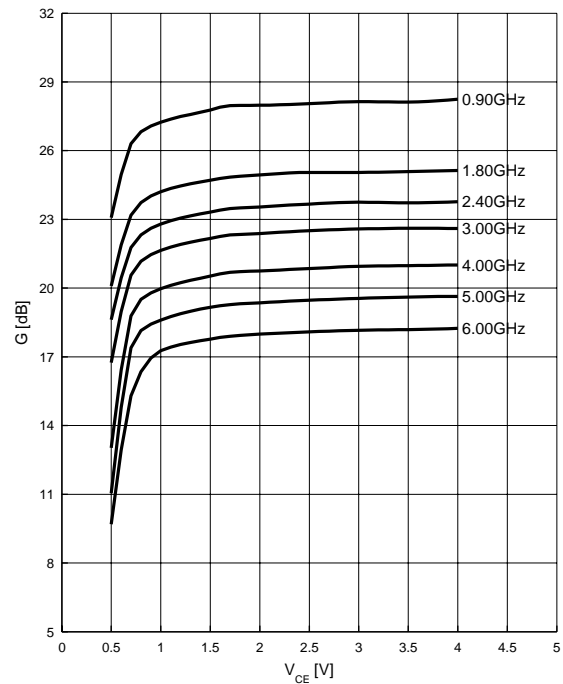
$f = \text{parameter}$



**Power gain  $G_{ma}$ ,  $G_{ms} = f(V_{CE})$**

$I_C = 7 \text{ mA}$

$f = \text{parameter}$

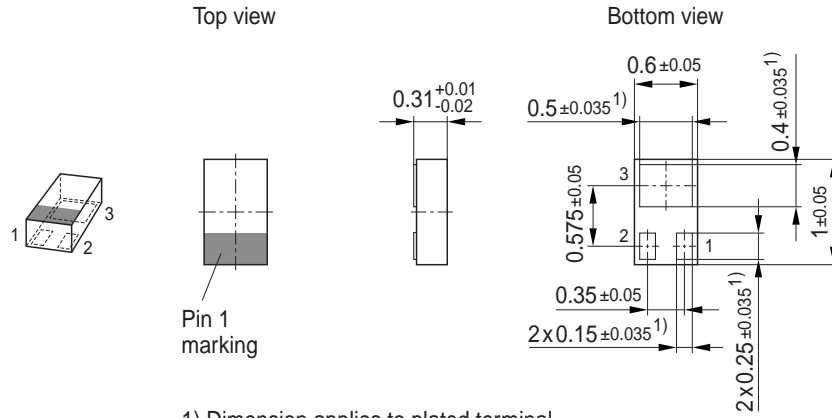




**Package TSLP-3-9**

**BFR705L3RH**

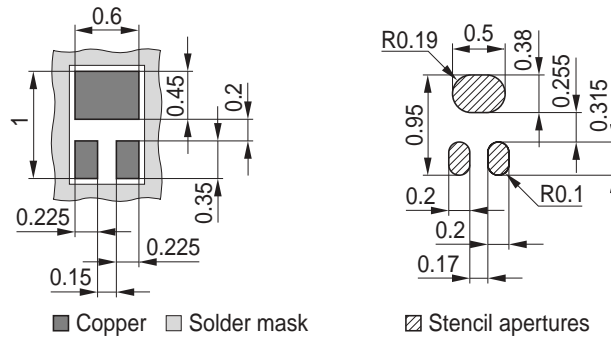
**Package Outline**



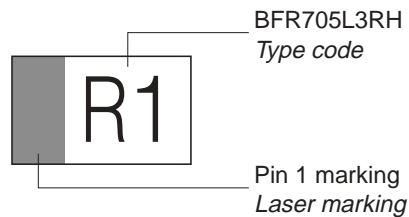
1) Dimension applies to plated terminal

**Foot Print**

For board assembly information please refer to Infineon website "Packages"

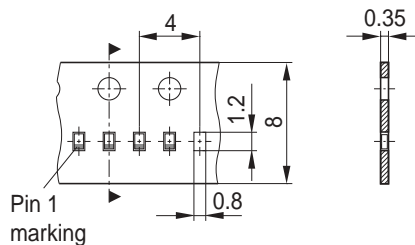


**Marking Layout (Example)**



**Standard Packing**

Reel ø180 mm = 15.000 Pieces/Reel





**BFR705L3RH**

---

Edition 2006-02-01

Published by

Infineon Technologies AG

81726 München, Germany

© Infineon Technologies AG 2007.

All Rights Reserved.

### **Attention please!**

The information given in this dokument shall in no event be regarded as a guarantee of conditions or characteristics ("Beschaffheitsgarantie"). With respect to any examples or hints given herein, any typical values stated herein and/or any information regarding the application of the device, Infineon Technologies hereby disclaims any and all warranties and liabilities of any kind, including without limitation warranties of non-infringement of intellectual property rights of any third party.

### **Information**

For further information on technology, delivery terms and conditions and prices please contact your nearest Infineon Technologies Office ([www.infineon.com](http://www.infineon.com)).

### **Warnings**

Due to technical requirements components may contain dangerous substances. For information on the types in question please contact your nearest Infineon Technologies Office.

Infineon Technologies Components may only be used in life-support devices or systems with the express written approval of Infineon Technologies, if a failure of such components can reasonably be expected to cause the failure of that life-support device or system, or to affect the safety or effectiveness of that device or system.

Life support devices or systems are intended to be implanted in the human body, or to support and/or maintain and sustain and/or protect human life. If they fail, it is reasonable to assume that the health of the user or other persons may be endangered.