

## Excellent Integrated System Limited

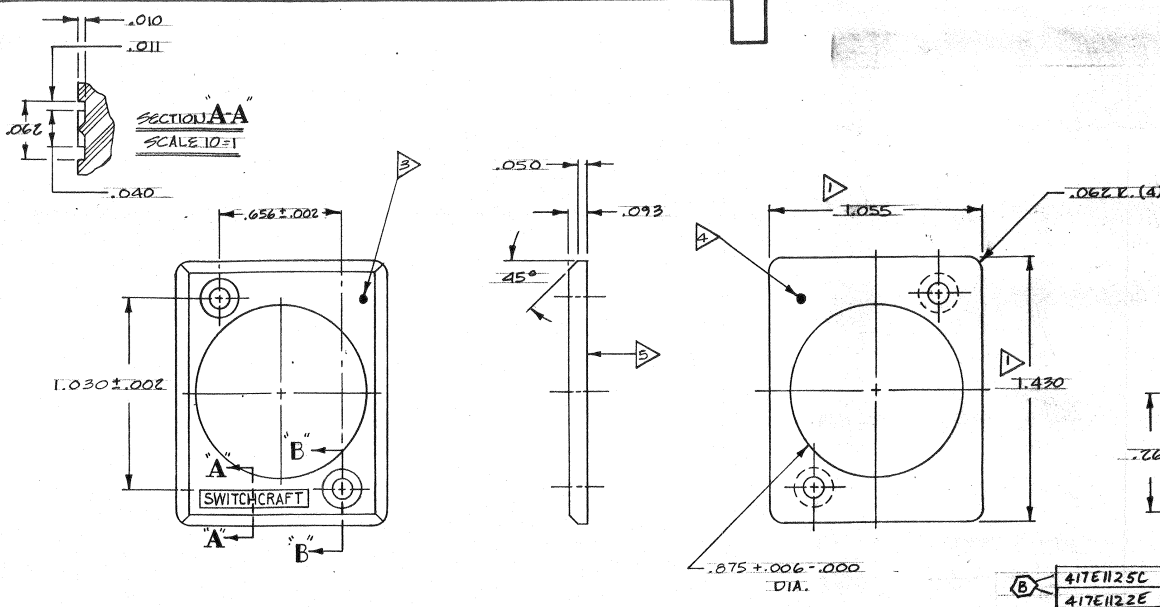
Stocking Distributor

Click to view price, real time Inventory, Delivery & Lifecycle Information:

[Switchcraft Inc.](#)  
[YEF02](#)

For any questions, you can email us directly:

[sales@integrated-circuit.com](mailto:sales@integrated-circuit.com)



ISS	ZONE	SYN	REVISION	BY	DATE
			RELEASED TO PRODUCTION		
A			ECO # 20223	JF	7-3
B			ECO # 20779	JF	2-78

PART NO.	PART REV.	COLOR
417E1125C	INACTIVE	GREEN
417E1122E	INACTIVE	RED
417E1128G	N/A	GRAY
417E1124B	INACTIVE	YELLOW
417E1129B	INACTIVE	WHITE
417E1120A	A	BLACK
417E1126G	A	BLUE

**NOTES:**

1. CENTERLINE DETERMINED BY FEATURES NOTED. ALL OTHER FEATURES SHOWN ON, OR SYMMETRICAL WITH, THE CENTERLINE TO BE CENTERED WITHIN .006, TOTAL, UNLESS OTHERWISE NOTED.
2. UNLESS OTHERWISE NOTED TOLERANCES INCLUDE DRAFT ALLOWANCE.
3. FRONT FACE TO HAVE A SMOOTH MATTE FINISH, FREE OF SURFACE DEFECTS.
4. CAVITY NUMBERS INDICATED BY DOTS, WITHIN DIMENSION.
5. THIS SURFACE TO BE FLAT WITHIN .008.

THIS DRAWING DESCRIBES A DESIGN CONSIDERED PROPRIETARY IN NATURE, DEVELOPED AND MANUFACTURED BY SWITCHCRAFT, INC. AND IS RELEASED ON A CONFIDENTIAL BASIS FOR IDENTIFICATION PURPOSE ONLY.

UNLESS OTHERWISE SPECIFIED:		DRAWN BY	DATE	FINISH
1. DECIMAL DIMENSIONS ± .005		16	1 JULY 80	SEE TABLE ABOVE
2. FRACTIONAL DIMENSIONS ± 1/64		CHECKED BY	DATE	PER FINISH SPEC. NO.
3. ANGLES ± 1/2°		W.H.	7-1-80	MATERIAL POLYCARBONATE
4. ALL DIA'S CONCENTRIC WITHIN .005 T.I.R.		APPROVED BY	DATE	LEXAN 141
5. ALL DIMENSIONS IN INCHES		M.W.	7-9-87	PER MAT. SPEC. NO. 0411001
6. FOR THREADS USE UNIFIED PLUG AND RING GAGES ONLY		SCALE	2=1	
7. REMOVE ALL BURRS		FIRST USED ON	Y * F	
8. PART TO BE FABRICATED AS SPECIFIED MAKE NO DIMENSIONAL ALLOWANCES FOR APPLIED FINISHES, I.E. PLATING, PAINTING, ETC.		NAME	Escutcheon	PART NO.
9. HOLES ON SAME CENTERLINE MUST BE ALIGNED WITHIN ± .002				417 E 112

DO NOT SCALE DRAWING

★ STAR SYMBOL DENOTES CRITICAL DIMENSION  
 SEE S/C ENGINEERING STANDARD ES-0001

REF 417E107 #5 SCREW HOLE