

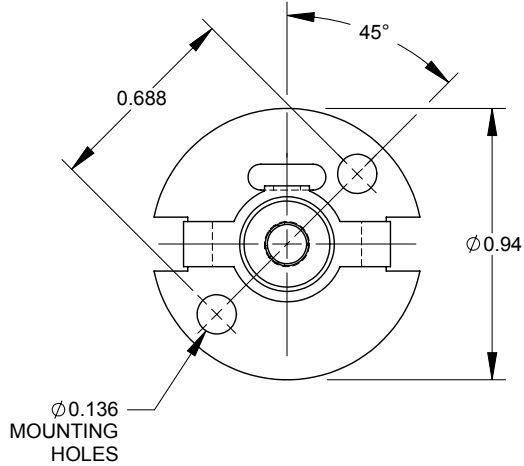
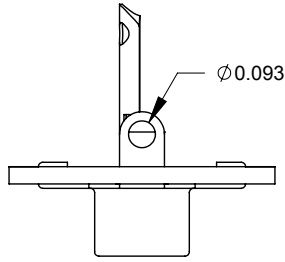
Excellent Integrated System Limited

Stocking Distributor

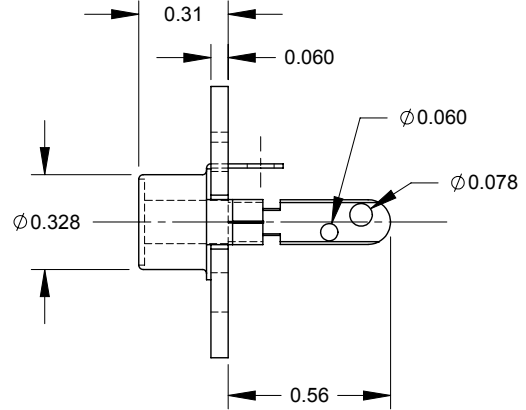
Click to view price, real time Inventory, Delivery & Lifecycle Information:

[Switchcraft Inc.](#)
[3501FX](#)

For any questions, you can email us directly:
sales@integrated-circuit.com



- NOTES:**
1. ALL DIMENSIONS FOR REFERENCE PURPOSES ONLY.
 2. MATERIALS:
BASE - PHENOLIC MOUNTING WASHER
TERMINAL - BRASS, TIN PLATED
SPACER - POLYPROPYLENE
SLEEVE CLAMP - STEEL, TIN PLATED
 3. THIS PRODUCT IS RoHS COMPLIANT.



CUSTOMER DRAWING

REV	ECO NUMBER	DATE	BY	APVD
A	26022	3/8/06	RS	TJK

UNLESS OTHERWISE SPECIFIED

1. ALL DIMENSIONS IN INCHES

- TWO PLACE DECIMALS ±0.02

- THREE PLACE DECIMALS ±0.005

DO NOT SCALE DRAWING

THIS DRAWING DESCRIBES A DESIGN CONSIDERED PROPRIETARY IN NATURE, DEVELOPED AND MANUFACTURED BY SWITCHCRAFT INC. AND IS RELEASED ON A CONFIDENTIAL BASIS FOR IDENTIFICATION PURPOSES ONLY.									
SIZE	WIDTH	MULT	LBS/M	TEMPER					
FINISH SPEC No.					MATERIAL SPEC No.				
FIRST USED ON					SCALE 2:1				
DATE DRAWN	BY	CHKD	APVD						
7/23/08	RS	RS	TJK						
			7/23/08						
NAME					PART No.			REV	
TWO CONDUCTOR PHONO JACK, RoHS					3501FX			A	

Switchcraft®

SHEET 1 OF 1

SolidWorks CAD File

