

Excellent Integrated System Limited

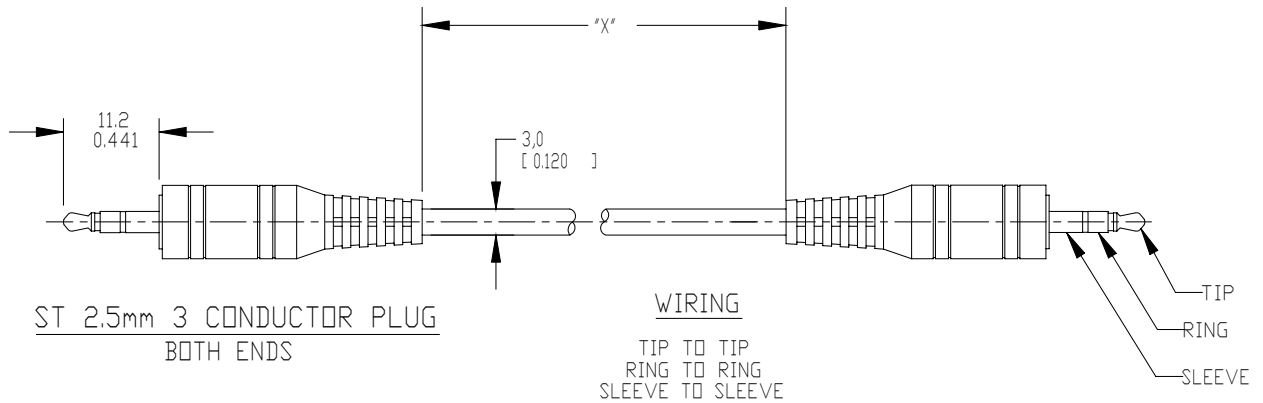
Stocking Distributor

Click to view price, real time Inventory, Delivery & Lifecycle Information:

[Switchcraft Inc.](#)
[250HR079250X](#)

For any questions, you can email us directly:

sales@integrated-circuit.com



MATERIALS:

- OVERMOLD - PVC, BLACK
- CABLE - 2 CONDUCTOR, 28AWG, SPIRAL SHIELDED
BLACK PVC JACKET
- PLUG - BRASS, NICKEL PLATED

PART NUMBER	DIMENSION "X"	
	METERS	INCHES
250HR079250X	2 METERS+50mm/-0	79.00+2.00/-0

NOTES:

1. PRIMARY UNITS ARE METRIC (MM [INCH]).
2. THIS PRODUCT IS RoHS COMPLIANT.

CUSTOMER DRAWING

					☆ STAR SYMBOL DENOTES CRITICAL DIMENSION	THIS DRAWING DESCRIBES A DESIGN CONSIDERED PROPRIETARY IN NATURE, DEVELOPED AND MANUFACTURED BY SWITCHCRAFT INC. AND IS RELEASED ON A CONFIDENTIAL BASIS FOR IDENTIFICATION PURPOSES ONLY.					
					UNLESS OTHERWISE SPECIFIED	SIZE	WIDTH	MULT	LBS/M	TEMPER	
					1. ALL DIMENSIONS IN INCHES - TWO PLACE DECIMALS ±0.01 - THREE PLACE DECIMALS ±0.005 - ANGLES ±1° - ALL DIA. CONCENTRIC WITHIN 0.005 T.I.R.	FINISH			MATERIAL		
					2. FEATURES ON THE SAME CENTERLINE MUST BE ALIGNED WITHIN ±0.002	SPEC No.			SPEC No.		
					3. REMOVE ALL BURRS	FIRST USED ON			SCALE 3:2		
A	26298	03-25-08	AH	TJK	DATE DRAWN	BY	CHKD	APVD	Switchcraft®		
REV	ECO NUMBER	DATE	BY	APVD	03-04-08	AH	AH 03-04-08	BDS 03-04-08			SHEET 1 OF 1
REVISIONS					DO NOT SCALE DRAWING	NAME CABLE ASSEMBLY 2.5mm 3 CONDUCTOR ST TO ST, RoHS			PART No. 250HR___250X		REV A

SolidWorks CAD File

