

Excellent Integrated System Limited

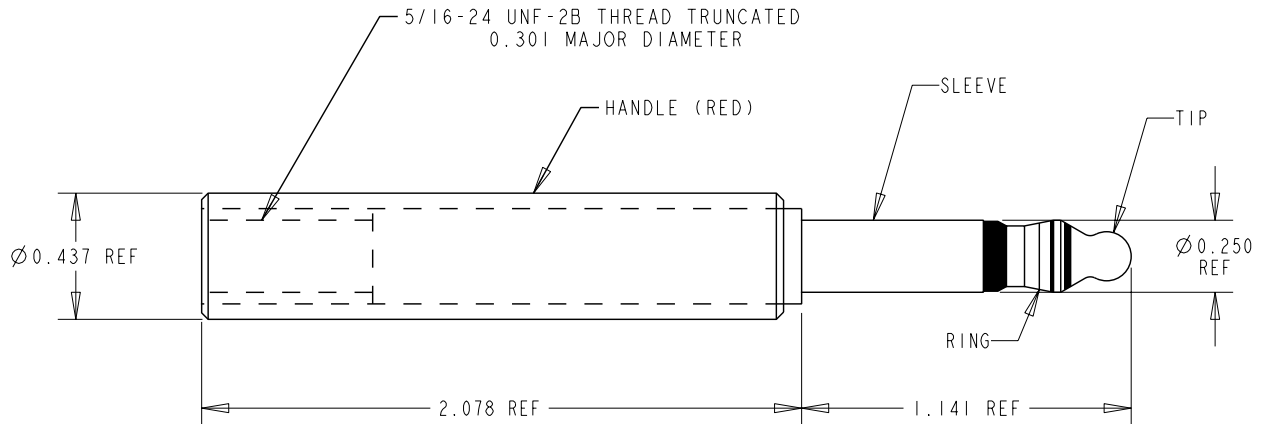
Stocking Distributor

Click to view price, real time Inventory, Delivery & Lifecycle Information:

[Switchcraft Inc.](#)
[482NCPX](#)

For any questions, you can email us directly:

sales@integrated-circuit.com



SPECIFICATIONS:

TIP ROD, RING & SLEEVE - BRASS

SCREWS - BRASS

TERMINALS - BRASS, HOT TINNED

INSULATION - POLYESTER, GLASS FILLED UL94V-0

CUSTOMER DRAWING

CAD/CAM DWG. NO.

482_CD

SHEET 1 OF 1

★ STAR SYMBOL DENOTES CRITICAL DIMENSION, SEE S/C ENGINEERING STANDARD ES-0001

THIS DRAWING DESCRIBES A DESIGN CONSIDERED PROPRIETARY IN NATURE, DEVELOPED AND MANUFACTURED BY SWITCHCRAFT INC. AND IS RELEASED ON A CONFIDENTIAL BASIS FOR IDENTIFICATION PURPOSE ONLY.

UNLESS OTHERWISE SPECIFIED

1. ALL DIMENSIONS IN INCHES
2. DECIMAL DIMENSIONS ±.005
3. ANGLES ±1/2°
4. ALL DIA'S CONCENTRIC WITHIN .005 T.I.R.
5. REMOVE ALL BURRS
6. MAKE NO DIMENSIONAL ALLOWANCES FOR APPLIED FINISHES, I.E., PLATING, PAINTING, ETC.
7. HOLES ON THE SAME CENTERLINE MUST BE ALIGNED WITHIN ±.002

SIZE	WIDTH	MULT	LBS./M	TEMPER
FINISH		MATERIAL		
SPEC. NO.		SPEC. NO.		
FIRST USED ON		SCALE		
		1:0.50		
DATE DRAWN	BY	CHK'D	APP'D	
1-6-65	RM	WH 1-7-65	DLV 12-8-87	
NAME			PART NO.	ISSUE
LITTEL PLUG			482	C

Switchcraft®

ISSUE	CHANGE NO.	DATE	BY	APP'D
C	ECO #20627	1-23-96	DEA	TAO
B	ECO #19864	7-5-95	DA	JF
A	CAD REDRAWN WAS REV.3	10-6-89	TW	MK

REVISIONS

DO NOT SCALE DRAWING

