

## Excellent Integrated System Limited

Stocking Distributor

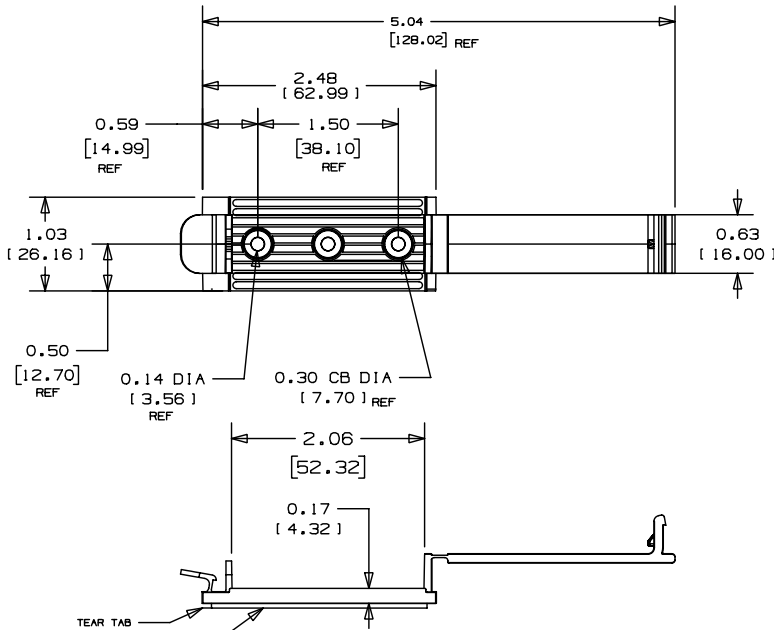
Click to view price, real time Inventory, Delivery & Lifecycle Information:

[Panduit](#)  
[CH105-S6-C14](#)

For any questions, you can email us directly:

[sales@integrated-circuit.com](mailto:sales@integrated-circuit.com)

THIS COPY IS PROVIDED ON A RESTRICTED BASIS AND IS NOT TO BE USED IN ANY WAY DETRIMENTAL TO THE INTERESTS OF PANDUIT CORP.



**ADHESIVE BACKING**

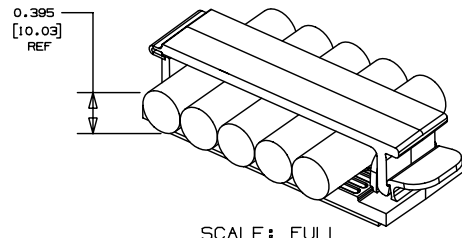
PRESSURE SENSITIVE FOAM TAPE 0.040 [1.02] THICK WITH RUBBER ADHESIVE AND PROTECTIVE LINER. MOUNT IS DESIGNED TO SUPPORT 1.28 lbs. (581.7g) MAXIMUM WEIGHT ON A CLEAN, DRY, SMOOTH, GREASE-FREE SURFACE.

**TO APPLY CABLE HOLDER:**

1. REMOVE PROTECTIVE LINER
2. PLACE IN DESIRED LOCATION
3. APPLY PRESSURE TO THE TOP OF CABLE HOLDER.

PANDUIT PART NUMBER	WEIGHT lbs/100 pcs (g)/100 pcs
CH105-S6	1.90 (861.83)
CH105-A	1.99 (902.65)

NO WARRANTY, EXPRESSED OR IMPLIED, IS MADE BY PANDUIT WITH RESPECT TO ADHESIVE BOND PERFORMANCE. AMONG OTHER THINGS, THE CONDITIONS UNDER WHICH THESE MOUNTS MAY BE APPLIED, AND/OR THE SURFACE TO WHICH THEY MAY BE APPLIED, ARE BEYOND PANDUIT'S CONTROL.



SCALE: FULL

DIMENSIONS IN BRACKETS ARE METRIC [ mm ]

CAD FILENAME/LAYERS G002391Y\_PB\_CH105\_01

**PANDUIT**

CORP. TINLEY PARK, ILLINOIS

CH105-S6 CH105-A  
WIRE AND CABLE HOLDER

UNLESS OTHERWISE SPECIFIED, DIMENSIONAL TOLERANCES ARE:  
(.X) ±0.05 (1.3) (.XXX) ±0.010 (0.25)  
(.XX) ±0.02 (0.5) ANGLES ± 5°

UNLESS OTHERWISE SPECIFIED, ALL DIMENSIONS ARE GIVEN IN INCHES, THIRD ANGLE PROJECTION.

DRAWN BY JAD	MAT'L:	SCALE 3/4
DATE 12-16-01	NYLON 6/6	DRAWING NO. G002391Y
CHK'D		DWG SIZE A

REV	DATE	BY	CHK	DESCRIPTION	ECN	R	CUST	SUP
I	5/10/02	LGG		ADDED NOTE ON ADHESIVE BACKING.	G002391Y	I		
R	12-16-01	LGG		INITIAL RELEASE	G002391Y	R		