

Excellent Integrated System Limited

Stocking Distributor

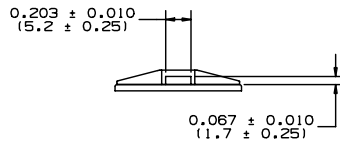
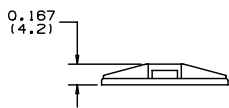
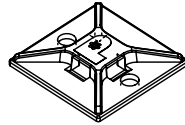
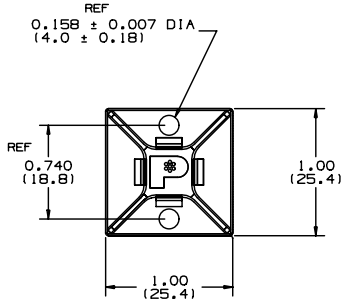
Click to view price, real time Inventory, Delivery & Lifecycle Information:

[Panduit](#)
[ABM2S-S6-D](#)

For any questions, you can email us directly:
sales@integrated-circuit.com

THIS COPY IS PROVIDED ON A RESTRICTED BASIS AND IS NOT TO BE USED IN ANY WAY DETRIMENTAL TO THE INTERESTS OF PANDUIT CORP.

* PANDUIT PART NO.	REC'M FASTENER	USE WITH THESE CABLE TIE CROSS SECTIONS	WEIGHT lbs(g)/100 PCS.	MATERIAL
ABM2S-S6	#6 (M3) SCREW	MINIATURE INTERMEDIATE STANDARD	0.22 (102.0)	ABS



NOTES:

- *1. SEE CURRENT PRICE SHEET FOR PART NUMBER SUFFIX DESIGNATIONS FOR PACKAGE SIZE AND PART COLOR.

DIMENSIONS IN BRACKETS ARE METRIC [mm]

CAD FILENAME/LAYERS G00239BX_PB_ABM2S-S6-69_04

PANDUIT

CORP. TINLEY PARK, ILLINOIS

REV	DATE	BY	CHK	DESCRIPTION	ECN	R	CUST	SUP
4	8/26/01	LGG		ADDED REF AND UPDATED FOR WEB	GB0239BX	4		
3	9-15-97	CGSM		REMOVED ABM2S-S6-69 INFO. FROM DRAWING	GB0239BX	3		
2	12-16-96	AJV		CHANGED HOLE SPACING FROM .700 TO .740	GB0239BX	2		
				CHANGED LENGTH FROM 1.005 TO 1.00	GB0239BX			
1	12-9-96	AJV		ADDED ABM2S-S6, MATERIAL TABLE	GB0239BX	1		
R	5-14-96	CJG		INITIAL RELEASE	GB0239BX	R		

ABM2S-S6 4 WAY CABLE TIE MOUNT	
<small>UNLESS OTHERWISE SPECIFIED, DIMENSIONAL TOLERANCES ARE: (.X) ±0.05 (1.3) (.XXX) ±0.010 (0.25) (.XX) ±0.02 (0.5) ANGLES ± 5°</small>	<small>UNLESS OTHERWISE SPECIFIED, ALL DIMENSIONS ARE GIVEN IN INCHES, THIRD ANGLE PROJECTION.</small>
<small>DRAWN BY</small> CJG <small>MAT'L:</small> SEE TABLE	<small>SCALE</small> FULL
<small>DATE</small> 5-14-96 <small>CHK'D</small>	<small>DRAWING NO.</small> GB0239BX <small>DRG SIZE</small> A