

## **Excellent Integrated System Limited**

Stocking Distributor

Click to view price, real time Inventory, Delivery & Lifecycle Information:

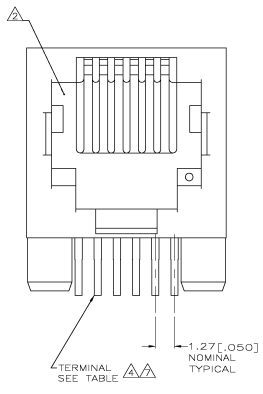
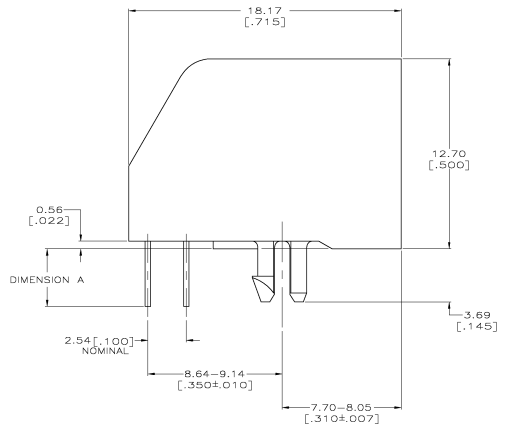
[TE Connectivity AMP Connectors](#)  
[555165-1](#)

For any questions, you can email us directly:

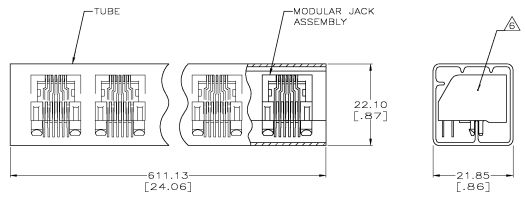
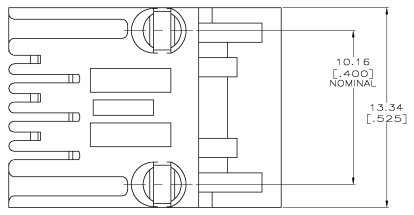
[sales@integrated-circuit.com](mailto:sales@integrated-circuit.com)

THIS DRAWING IS UNCONTROLLED  
 UNLESS OTHERWISE NOTED  
 ALL RIGHTS RESERVED

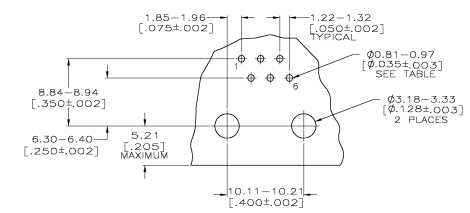
| REV | DATE | BY | CHK | APP | REVISIONS                                    |
|-----|------|----|-----|-----|--|
| CP  | 00   |    |     |     |  |
|     | N    |    |     |     | REVISED PER EC 0511-0089-04<br>23MAY04 JS BK |



- ⚠ MATERIAL: HOUSING - PBT POLYESTER, SEE TABLE FOR COLOR.  
 TERMINAL - 0.35[.0138] THICK PHOSPHOROUS-BRONZE PLATED WITH 1.27μm[.000050] THICK HARD GOLD IN LOCALIZED GOLD PLATE AREA AND 2.03μm[.000080] THICK TIN LEAD IN SOLDER AREA OVER 1.27μm[.000050] THICK NICKEL UNDERPLATE.
- ⚠ CAVITY CONFORMS TO FCC RULES AND REGULATIONS PART 68, SUBPART F.
- ⚠ DIMENSIONS ARE MAXIMUM UNLESS OTHERWISE SPECIFIED.
- ⚠ TERMINALS FOR 555165-2, -7 AND -8 LOCATED IN FOUR CENTER POSITIONS.
- ⚠ BULK PACKAGED IN A TRAY.
- ⚠ PACKAGED 43 ASSEMBLIES PER TUBE WITH BOTH ENDS CLOSED. SEE DETAIL A.
- ⚠ TERMINALS FOR 555165-5 AND -6 LOCATED IN TWO CENTER POSITIONS.



DETAIL A  
 SCALE 2:1



SUGGESTED PRINTED CIRCUIT BOARD  
 MOUNTING HOLE LAYOUT  
 VIEW SHOWN AS COMPONENT SIDE OF BOARD  
 SCALE 4:1

| OBSOLETE             |       | COLOR    | HOLES REQUIRED | PACKAGED | TERMINALS REQUIRED | PART NUMBER |
|----------------------|-------|----------|----------------|----------|--------------------|-------------|
| 2.79±0.25[.110±.010] | BLACK | 6        | 6              | 6        | 6                  | 555165-9    |
| 3.81±0.51[.150±.020] | GRAY  | CENTER 4 | 4              | 4        | 4                  | 555165-8    |
| 2.79±0.25[.110±.010] | BLACK | CENTER 4 | 4              | 4        | 4                  | 555165-7    |
| 2.79±0.25[.110±.010] | GRAY  | CENTER 2 | 2              | 2        | 2                  | 555165-6    |
|                      |       | CENTER 2 | 2              | 2        | 2                  | 555165-5    |
|                      |       | 6        | 6              | 6        | 6                  | 555165-4    |
| 3.81±0.51[.150±.020] | BLACK | CENTER 4 | 4              | 4        | 4                  | 555165-2    |
|                      |       | 6        | 6              | 6        | 6                  | 555165-1    |

|                                       |  |            |           |    |     |     |           |
|---------------------------------------|--|------------|-----------|----|-----|-----|-----------|
| THIS DRAWING IS A CONTROLLED DOCUMENT |  | REVISED    | DATE      | BY | CHK | APP | DATE      |
| DRAWING NO. (SEE INCHES)              |  | 02/03/2005 | 17 JAN 04 | JS | JS  | JS  | 12 JAN 04 |
| TITLED                                |  | 108-1163   | 108-1163  |    |     |     |           |
| APPROVED BY                           |  | 114-2048   |           |    |     |     |           |
| WORK                                  |  |            |           |    |     |     |           |

|   |              |
|---|--------------|
| MODULAR JACK ASSEMBLY,<br>6 POSITION, LOW PROFILE, RIGHT ANGLE, WITHOUT PANEL STOPS | REVISIONS TO |
| A1 00779 C=555165   |              |
| CUSTOMER DRAWING  | REVISED BY N |