

## Excellent Integrated System Limited

Stocking Distributor

Click to view price, real time Inventory, Delivery & Lifecycle Information:

[TE Connectivity AMP Connectors](#)  
[5-554743-2](#)

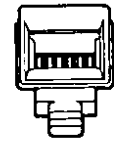
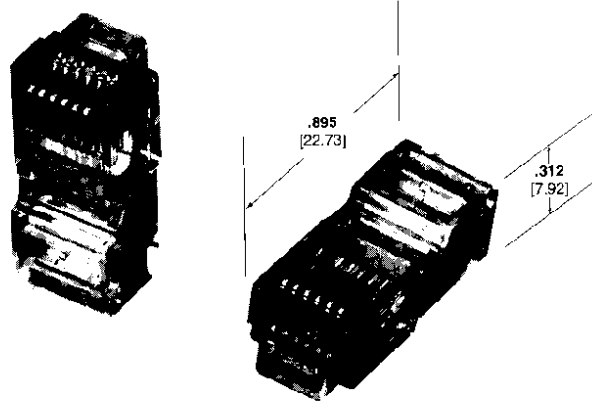
For any questions, you can email us directly:

[sales@integrated-circuit.com](mailto:sales@integrated-circuit.com)

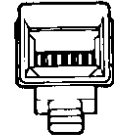
**Unshielded Modular Plugs (Continued)**

**6-Position Long Body**

Photo-109865-4



Flat Oval Cable

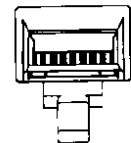
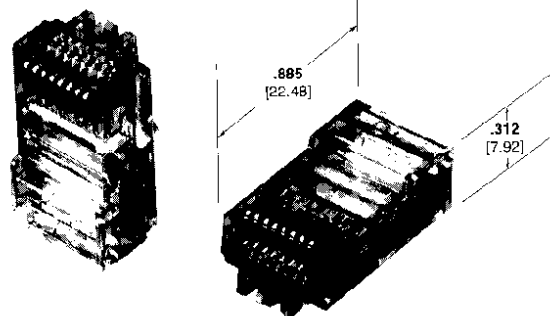


Round Cable

| Description                               | Plug Part Numbers |            |           |            |            |            |
|---|-------------------|------------|-----------|------------|------------|------------|
|   | Strip             | 10,000/Box | 1,000/Box | 500/Box    | 100/Box    | 25/Bag     |
| 6/6-Position Long Flat Oval Solid Line    | 555426-1          | N/A        | N/A       | 5-555426-3 | 5-555426-3 | 5-555426-4 |
| 6/6-Position Long Flat Oval Stranded Line | 555176-1          | N/A        | N/A       | 5-555176-3 | 5-555176-3 | N/A        |
| 6/6-Position Long Round Stranded Line     | 555177-1          | N/A        | N/A       | 5-555177-3 | 5-555177-3 | N/A        |

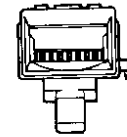
**8-Position**

Photo-109865-2



Flat Oval Cable

Optional Key



Round Cable

Optional Key

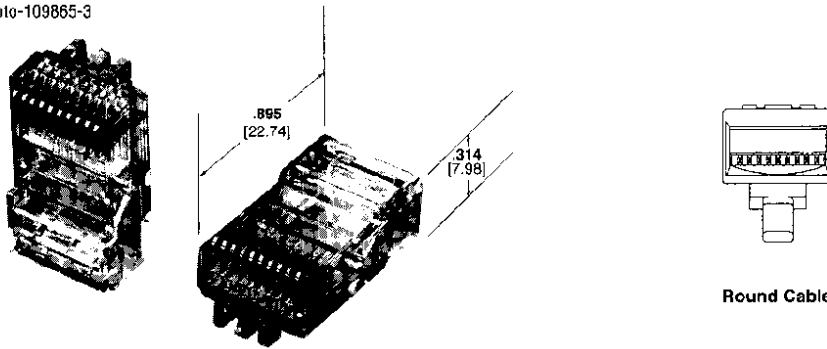
| Description   | Plug Part Numbers |            |           |            |                   |                   |
|---|-------------------|------------|-----------|------------|-------------------|-------------------|
|   | Strip             | 10,000/Box | 1,000/Box | 500/Box    | 100/Box           | 25/Bag            |
| 8/8-Position Flat Oval Solid Line                     | 554720-1          | 5-554720-1 | N/A       | 5-554720-2 | 5-554720-3        | 5-554720-4        |
| 8/8-Position Flat Oval Stranded Line                  | 554739-1          | 5-554739-1 | N/A       | 5-554739-2 | 5-554739-3        | 5-554739-4        |
| 8/8-Position Round Solid Line                         | N/A               | 5-557315-1 | N/A       | 5-557315-2 | 5-557315-3        | 5-557315-4        |
| 8/8-Position Round Stranded Line                      | 554169-1          | 5-554169-1 | N/A       | 5-554169-2 | <b>5-554169-3</b> | <b>5-554169-4</b> |
| 8/8-Position Small Round Cable Stranded Line          | N/A               | 5-557961-1 | N/A       | 5-557961-2 | 5-557961-3        | N/A               |
| 8/8-Position Small Round Cable Solid Line             | N/A               | N/A        | N/A       | 5-569215-2 | N/A               | N/A               |
| 8/8-Position Flat Oval Small Solid Conductor Line*    | N/A               | N/A        | N/A       | 5-557972-2 | 5-557972-3        | N/A               |
| 8/8-Position Flat Oval Small Stranded Conductor Line* | N/A               | N/A        | N/A       | 5-557973-2 | 5-557973-3        | N/A               |
| 8/8-Position Keyed Flat Oval Solid Line               | 555417-1          | N/A        | N/A       | N/A        | 5-555417-2        | 5-555417-4        |
| 8/8-Position Keyed Flat Oval Stranded Line            | 554743-1          | N/A        | N/A       | 5-554743-2 | 5-554743-3        | 5-554743-4        |
| 8/8-Position Keyed Round Stranded Line                | 554170-1          | N/A        | N/A       | 5-554170-2 | 5-554170-3        | 5-554170-4        |

\*Small conductor products are for .029 - .034 [.737 - .864] OD conductors. Small Conductor product housings are tinted blue to differentiate from Standard Product. Standard products cover .029 - .039 [.737 - .991] when a small conductor product does not exist.

**Unshielded Modular Plugs (Continued)**

Photo-109865-3

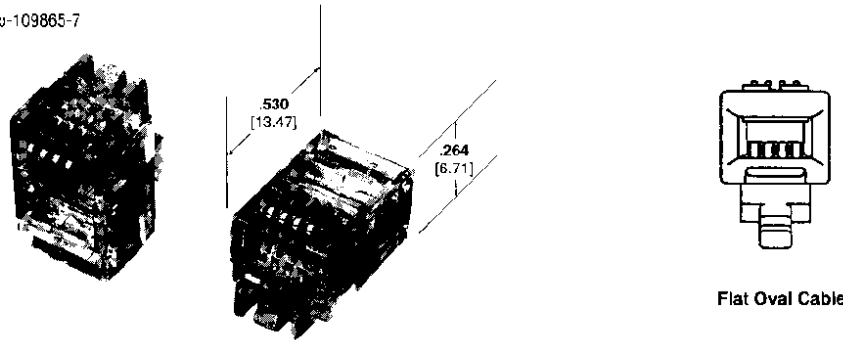
**10-Position**



| Description                         | Plug Part Numbers |            |
|-------------------------------------|-------------------|------------|
|                                     | 500/Box           | 100/Box    |
| 10/10-Position Round Stranded Line  | 5-557963-2        | 5-557963-3 |
| 10/10-Position Small Round Stranded | 5-406938-2        | N/A        |

**4-Position Handset**

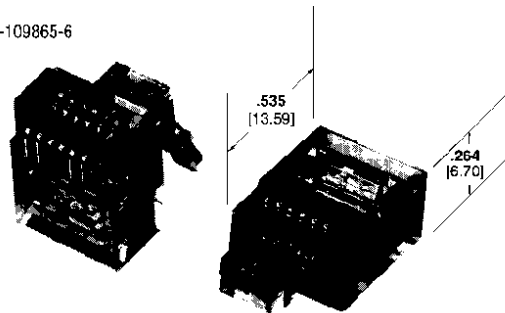
Photo-109865-7



| Description                   | Plug Part Numbers |            |            |         |            |            |
|-------------------------------|-------------------|------------|------------|---------|------------|------------|
|                               | Strip             | 10,000/Box | 1,000/Box  | 500/Box | 100/Box    | 25/Bag     |
| 4-Position Flat Oval Solid    | N/A               | N/A        | 5-556200-2 | N/A     | N/A        | N/A        |
| 4-Position Flat Oval Stranded | 641334-1          | 5-641334-1 | 5-641334-2 | N/A     | 5-641334-3 | 5-641334-7 |

**6-Position with Offset Latch**

Photo-109865-6



| Description                               | Plug Part Numbers |            |            |         |            |            |
|---|-------------------|------------|------------|---------|------------|------------|
|   | Strip             | 10,000/Box | 1,000/Box  | 500/Box | 100/Box    | 25/Bag     |
| 6-Position Round Stranded Offset          | 555238-1          | N/A        | N/A        | N/A     | 5-555238-2 | 5-555238-3 |
| 6-Position Flat Oval Solid Offset         | 555236-1          | N/A        | 5-555236-1 | N/A     | 5-555236-2 | 5-555236-3 |
| 6-Position Flat Oval Stranded Offset      | 555237-1          | N/A        | 5-555237-1 | N/A     | 5-555237-2 | 5-555237-3 |
| 6-Position Wide Flat Oval Stranded Offset | 557345-1          | N/A        | 5-557345-1 | N/A     | 5-557345-2 | 5-557345-3 |

**Note:** Offset latch product conforms to FCC requirements except for latch location.