

Excellent Integrated System Limited

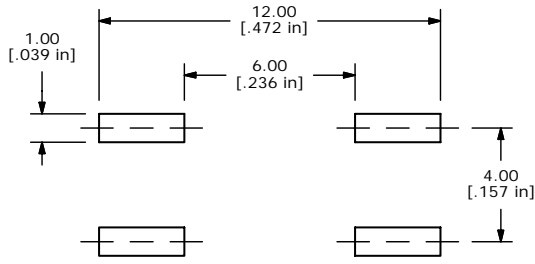
Stocking Distributor

Click to view price, real time Inventory, Delivery & Lifecycle Information:

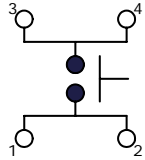
[E-Switch](#)
[TL6700AF260QG](#)

For any questions, you can email us directly:
sales@integrated-circuit.com

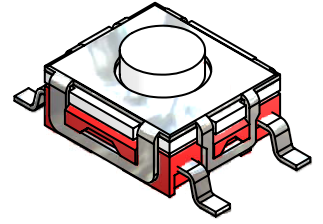
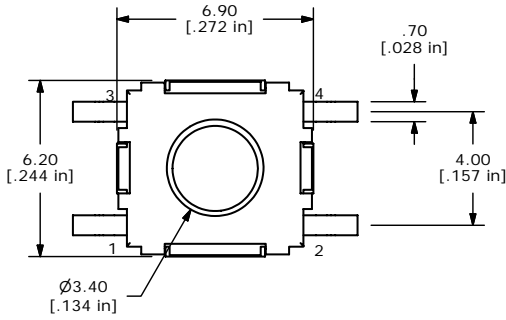
SHEET 1 OF 1



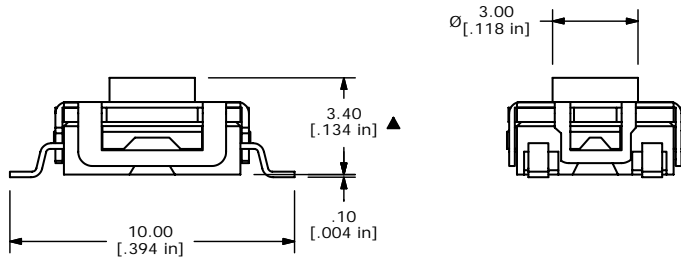
P.C.B. MOUNTING LAYOUT



CIRCUIT: SPST



ISOMETRIC



NOTES:

1. GENERAL TOLERANCE: $x.x \pm 0.4$
 $x.xx \pm 0.25$
2. RATING: 50mA@12VDC
3. TRAVEL: 0.35 ± 0.2 mm
4. CONTACT RESISTANCE: 100m OHMS
5. LIFE CYCLES: 100,000 CYCLES
- ▲6. OPERATING FORCE: 260 ± 50 gf
7. ▲DENOTES CRITICAL PARAMETER
8. PACKAGE: TAPE AND REEL, 1400 PIECES PER REEL
9. 2002/95/EC (ROHS) COMPLIANT
- ▲10. CONTACT MATERIAL: SILVER



TITLE TL6700AF260QG

A	16654	RELEASED FOR PRODUCTION	11/14/2006	TN
REV	PCR NO	DESCRIPTION	DATE	BY

THE INFORMATION CONTAINED IN THIS DOCUMENT IS PROPRIETARY TO E-SWITCH AND IS NOT TO BE COPIED OR TRANSFERRED

SCALE	DATE	DR	DWG	REV
5:1	11/14/2006	TN	P010460	A