



Excellent Integrated System Limited

Stocking Distributor

Click to view price, real time Inventory, Delivery & Lifecycle Information:

[PUI Audio, Inc.](#)
[AI-4228-P-FP28D-R](#)

For any questions, you can email us directly:
sales@integrated-circuit.com

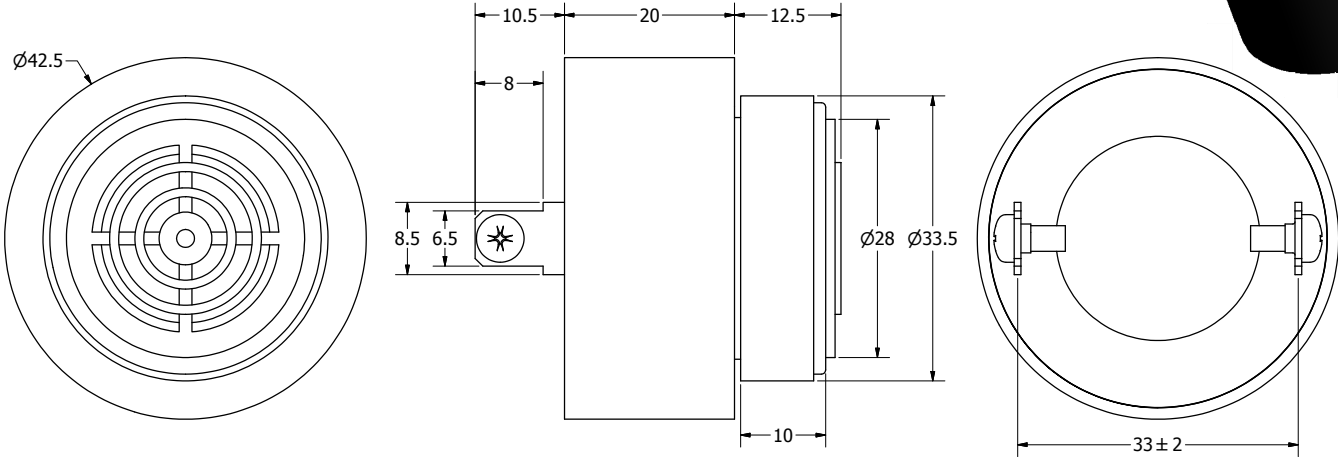
SPECIFICATIONS

PARAMETERS	VALUES	UNITS
RATED VOLTAGE	12	Vdc
OPERATING VOLTAGE RANGE	6 ~ 28	Vdc/Vac
RATED CURRENT (MAX)	10	mA
MINIMUM SPL @ 10 CM	90	dBa
RESONANT FREQUENCY	2,800 ± 500	Hz
TONE OR PULSE RATE	FAST PULSE	3 pulse /sec
OPERATING TEMPERATURE	-30 ~ +85	°C
STORAGE TEMPERATURE	-40 ~ +85	°C
HOUSING MATERIAL	NYLON	-
TERMINAL MATERIAL	Sn PLATED BRONZE	-
WEIGHT	39	grams

THIS DOCUMENT CONTAINS DATA PROPRIETARY TO PROJECTS UNLIMITED, INC. ANY USE OR REPRODUCTION, IN ANY FORM, WITHOUT PRIOR WRITTEN PERMISSION OF PROJECTS UNLIMITED, INC. IS PROHIBITED.
 ©2003, Projects Unlimited Inc.

REVISION HISTORY

LTR	DESCRIPTION	DATE	APPROVED
-	RELEASED FROM ENGINEERING	6/21/2006	
A	REMOVED POLARITY MARKINGS	10/12/2006	R.W.
B	REVISED TO INVENTOR 3-D DRAWING TEMPLATE	2/28/2008	B.R.



NOTES:

1. ALL DIMENSIONS ARE IN MILLIMETERS.
2. SPECIFICATIONS SUBJECT TO CHANGE OR WITHDRAWL WITHOUT NOTICE.
3. THIS PART IS RoHS 2002/95/EC COMPLIANT.



UNLESS OTHERWISE SPECIFIED:
 DIMENSIONS ARE IN MILLIMETERS,
 TOLERANCES ARE ±0.5 AND ANGLES ARE ±3°.
 AI-4228-P-FP28D-R.idw

Designed by	Date	Checked by	Date	Approved by	Date	Drawn Date
J.D.	6/21/2006	E.P.	6/21/2006	B.R.	6/21/2006	2/28/2008

AI-4228-P-FP28D-R
UL Indicator

Edition: - Sheet: 1 / 1

