

Excellent Integrated System Limited

Stocking Distributor

Click to view price, real time Inventory, Delivery & Lifecycle Information:

[PUI Audio, Inc.](#)
[POM-3549L-R](#)

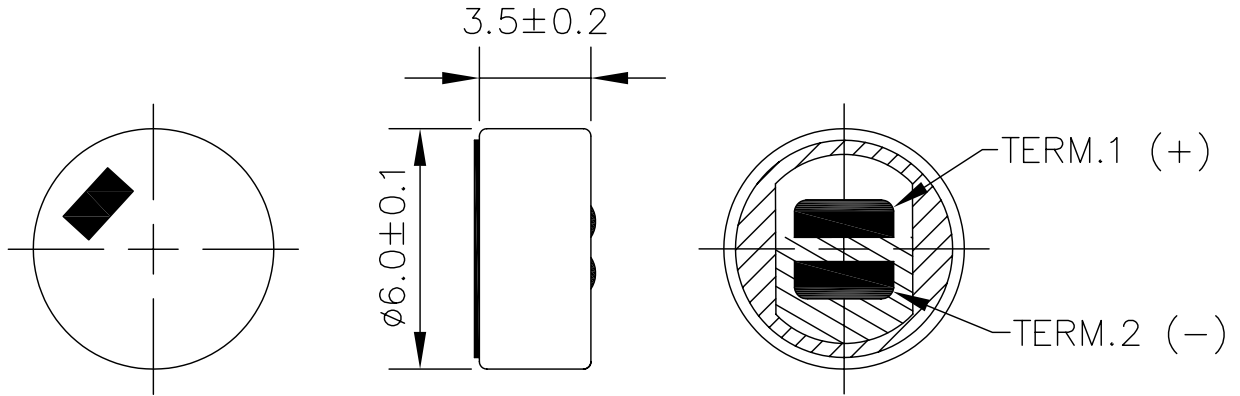
For any questions, you can email us directly:
sales@integrated-circuit.com

THIS DOCUMENT CONTAINS DATA PROPRIETARY TO PROJECTS UNLIMITED, INC. ANY USE OR REPRODUCTION, IN ANY FORM, WITHOUT PRIOR WRITTEN PERMISSION OF PROJECTS UNLIMITED, INC. IS PROHIBITED.
 © 2005, Projects Unlimited Inc.

SPECIFICATIONS

PARAMETERS	VALUES	UNITS
DIRECTIVITY	OMNI	-
SENSITIVITY	-49±3	dB
STANDARD OPERATING VOLTAGE	2	Vdc
MAX OPERATING VOLTAGE	10	Vdc
CURRENT CONSUMPTION (MAX)	0.5	mA
IMPEDANCE	2.2	kOhm
SIGNAL TO NOISE RATIO (MIN.)	60	dB
TERMINAL	SOLDER PAD	-
INTERNAL CAPACITOR	-	pF

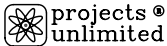
REVISIONS			
LTR	DESCRIPTION	DATE	APPROVED
-	RELEASED FROM ENGINEERING	4/14/06	



NOTES:

1. ALL DIMENSIONS ARE IN MILLIMETERS.
2. SPECIFICATION SUBJECT TO CHANGE OR WITHDRAWAL WITHOUT NOTICE.
3. THIS PART IS RoHS 2002/95/EC COMPLIANT.
4. MICROPHONE CLOTH OVER FACE IS IP51 RATED

FILE NAME
POM-3549L-R.DWG

UNLESS OTHERWISE SPECIFIED: DIMENSIONS ARE IN MILLIMETERS.TOLERANCES ARE ±0.5 AND ANGLES ARE ±3°.		 projects [®] unlimited Dayton , Ohio									
<table border="1"> <thead> <tr> <th>APPROVALS</th> <th>DATE</th> </tr> </thead> <tbody> <tr> <td>DRAWN <i>B.R.</i></td> <td>4/06</td> </tr> <tr> <td>CHECKED <i>B.R.</i></td> <td>4/06</td> </tr> <tr> <td>APPROVED <i>E.P.</i></td> <td>4/06</td> </tr> </tbody> </table>		APPROVALS	DATE	DRAWN <i>B.R.</i>	4/06	CHECKED <i>B.R.</i>	4/06	APPROVED <i>E.P.</i>	4/06	MICROPHONE DRAWING NO. POM-3549L-R	
APPROVALS	DATE										
DRAWN <i>B.R.</i>	4/06										
CHECKED <i>B.R.</i>	4/06										
APPROVED <i>E.P.</i>	4/06										
DO NOT SCALE DRAWING		SIZE A	SHEET 1 OF 1								