

## Excellent Integrated System Limited

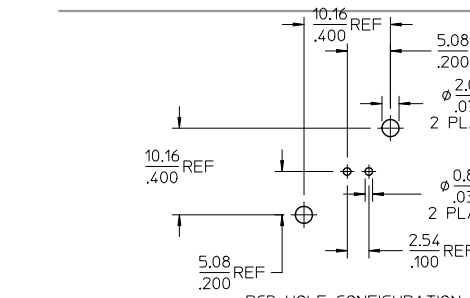
Stocking Distributor

Click to view price, real time Inventory, Delivery & Lifecycle Information:

[Molex Connector Corporation](#)  
[0731315013](#)

For any questions, you can email us directly:

[sales@integrated-circuit.com](mailto:sales@integrated-circuit.com)



CONSTRUCTION:

BODY ----- ZINC ALLOY

HOUSING ----- POLYESTER BUTYLENE TEREPHTHALATE (WHITE)

CENTER CONTACT -- PHOSPHOR BRONZE

DIELECTRIC ----- POLYPROPYLENE (94V0)

MOUNTING POST --- BRASS

SOLDER TAIL ----- COPPER OVER STEEL WIRE

LOCK WASHER ----- PHOSPHOR BRONZE

NUT ----- BRASS

FINISH:

BODY ----- NICKEL

CENTER CONTACT -- GOLD

SOLDER TAIL ----- TIN

MOUNTING POST --- TIN

LOCK WASHER ----- NICKEL

NUT ----- NICKEL

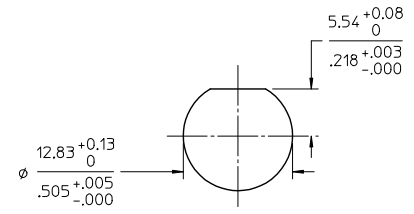
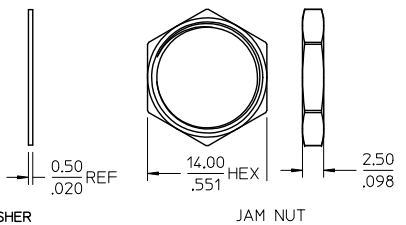
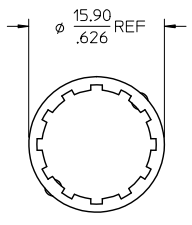
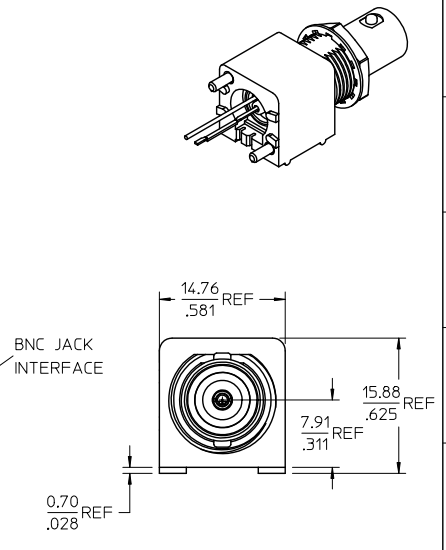
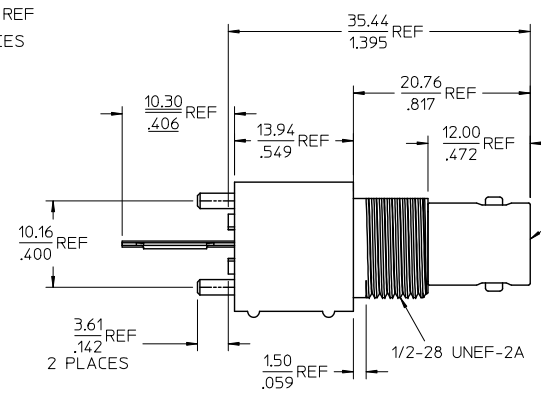
PACKAGING ----- TRAY

ENGINEERING SPEC

TEMPERATURE RATING: -55°C TO +85°C

PART # 73131-5013

PS-73598-0061	ELEC/MECH PERFORMANCE
SPECIFICATION	DESCRIPTION



RECOMMENDED MOUNTING HOLE

MAX PANEL THICKNESS: 5.5MM

RECOMMENDED MOUNTING TORQUE: 5 INCH-POUNDS MAX

CHG: PS -61 WAS 50	QUALITY SYMBOLS ▽=0 ▽=0	GENERAL TOLERANCES (UNLESS SPECIFIED) mm INCH 4 PLACES ± --- ± --- 3 PLACES ± --- ± --- 2 PLACES ± --- ± --- 1 PLACE ± --- ± --- ANGULAR ± 2 °	DIMENSION STYLE MM/IN	SCALE DESIGN UNITS METRIC	THIRD ANGLE PROJECTION
PP 194V0 WAS 94V2					
PER RF14-E113					
REV					

CHG: PS -61 WAS 50 PP 194V0 WAS 94V2 PER RF14-E113 EC NO: URF2014-0545 DRAWING NO: 2014/04/02 CHKD: APPROVED APPR: MIAWANG 2014/04/16
--

DRAWN BY IRIS WANG 1991/01/21	DATE 1991/01/21	TITLE BNC, JACK PCB VERTICAL 50 OHM BNC-JACK
APPROVED BY DATE	MATERIAL NO. 731315013	DOCUMENT NO. SD-73131-5013
DRAFT WHERE APPLICABLE MUST REMAIN WITHIN DIMENSIONS		SHEET NO. 1 OF 1