

Excellent Integrated System Limited

Stocking Distributor

Click to view price, real time Inventory, Delivery & Lifecycle Information:

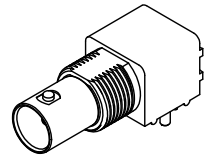
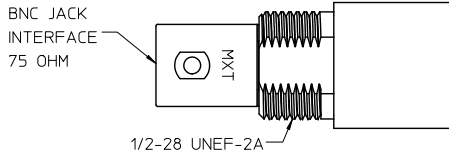
[Molex Connector Corporation](#)
[0731000069](#)

For any questions, you can email us directly:

sales@integrated-circuit.com

MATERIALS AND FINISHES

- BODY ZINC ALLOY
PLATED NICKEL
- CENTER CONTACT PHOSPHOR BRONZE
PLATED GOLD
- INSULATOR POLYPROPYLENE (94 V-2)
- HOUSING POLYESTER BUTLYENE TEREPHTHALATE
COLOR WHITE
- MOUNTING POST BRASS
PLATED TIN
- SOLDER TAIL BRASS WIRE
PLATED TIN
- LOCKWASHER PHOSPHOR BRONZE
PLATED NICKEL
- JAM NUT BRASS
PLATED NICKEL



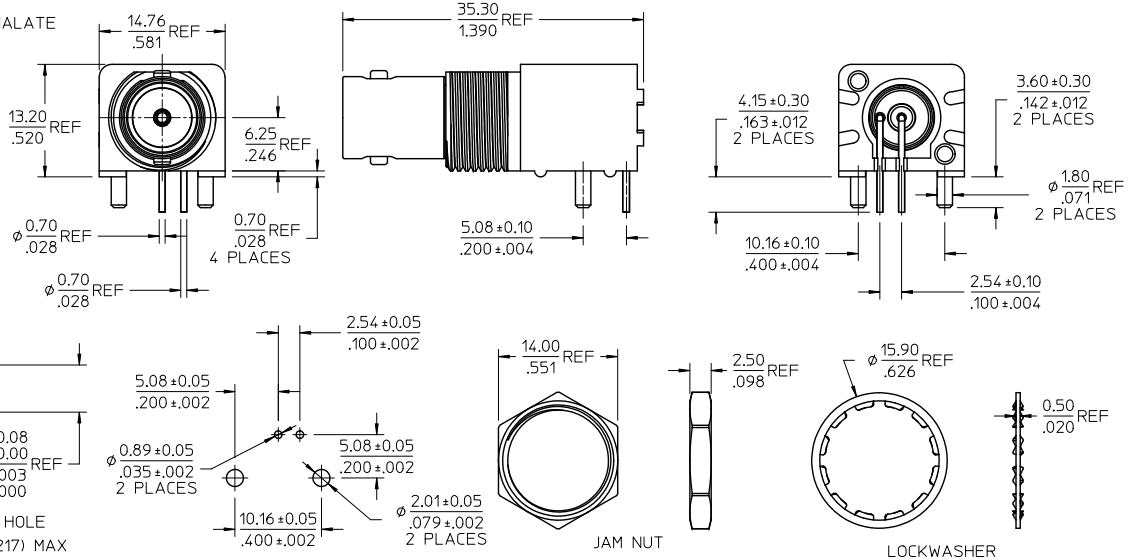
HOUSING POLYESTER BUTLYENE TEREPHTHALATE
COLOR WHITE

MOUNTING POST BRASS
PLATED TIN

SOLDER TAIL BRASS WIRE
PLATED TIN

LOCKWASHER PHOSPHOR BRONZE
PLATED NICKEL

JAM NUT BRASS
PLATED NICKEL



RECOMMENDED MOUNTING HOLE
PANEL THICKNESS: 5.50(.217) MAX
RECOMMENDED MOUNTING TORQUE:
0.56 N-m(5 INCH-LBS)

RECOMMENDED PCB LAYOUT

73171-2990	73100-0069, ONE PER BAG
73100-0069	PLASTIC TRAYS
PART NO.	PACKAGING

PS-89675-1030	ELECT / MECH
SPECIFICATION	DESCRIPTION

CHG: PS WAS PS-73598-0051 EC NO: URF2012-0549 DRAWN: JIENER 2012/03/14 CHK: JSSS 2012/03/14 APPR: JIENER 2012/03/20 A2	QUALITY SYMBOLS	GENERAL TOLERANCES (UNLESS SPECIFIED)	DIMENSION STYLE	SCALE	DESIGN UNITS	THIRD ANGLE PROJECTION
	▽=0 ▽=0	4 PLACES ± --- ± --- 3 PLACES ± --- ± --- 2 PLACES ± --- ± --- 1 PLACE ± --- ± --- ANGULAR ± 2 °	mm INCH DRAWN BY DATE CHECKED BY DATE APPROVED BY DATE	MM/IN		METRIC
	DRAFT WHERE APPLICABLE MUST REMAIN WITHIN DIMENSIONS	SEE TABLE	MATERIAL NO.	DOCUMENT NO.	BNC JACK, R/A, PCB RECEPTACLE, 75 OHMS BNC-J/RA/PCB	
					MOLEX INCORPORATED SD-73100-0069	
						SHEET NO. 1 OF 1