

Excellent Integrated System Limited

Stocking Distributor

Click to view price, real time Inventory, Delivery & Lifecycle Information:

[Molex Connector Corporation](#)
[0733660061](#)

For any questions, you can email us directly:

sales@integrated-circuit.com

MATERIALS AND FINISHES:

J CONTACT BeCu
PLATED GOLD

INSULATOR TEFLON

I PART NO: 73366-0060/73366-0062/73366-0063/73366-0064

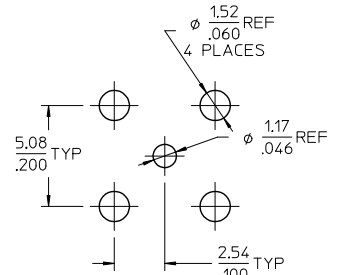
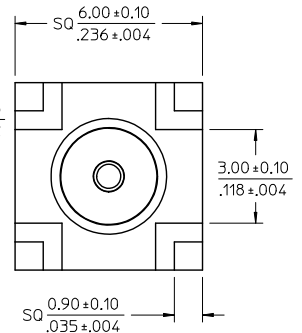
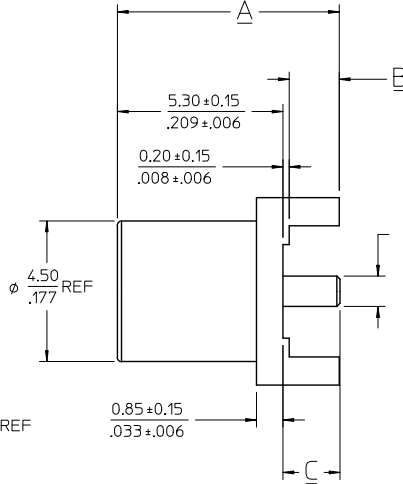
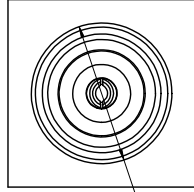
BODY BRASS
PLATED NICKEL

H PART NO: 73366-0061/73366-0065/73366-0066

BODY BRASS
PLATED GOLD

G PART NO 73366-0062/73366-0064/73366-0066
PACKAGING WITH TAPE & REEL
SEE SHEETS 2 & 3 FOR PACKAGING
INSTRUCTIONS

SEE SD-73366-619 FOR CONTINUATION OF TABULATION



SUGGESTED PCB LAYOUT

73366-0069	.280±.006	7.10±0.15	.062±.006	1.57±0.15	.073±.006	1.86±0.15	1 PC 73366-0061 PER BAG
73366-0068	.280±.006	7.10±0.15	.062±.006	1.57±0.15	.073±.006	1.86±0.15	73366-0060, SMALL TRAY
73366-0067	.280±.006	7.10±0.15	.062±.006	1.57±0.15	.073±.006	1.86±0.15	1 PC 73366-0060 PER BAG
73366-0066	.236±.006	5.99±0.15	.019±.006	0.5±0.15	.031±.006	0.8±0.15	TAPE & REEL
73366-0065	.236±.006	5.99±0.15	.019±.006	0.5±0.15	.031±.006	0.8±0.15	TRAY
73366-0064	.236±.006	5.99±0.15	.019±.006	0.5±0.15	.031±.006	0.8±0.15	TAPE & REEL
73366-0063	.236±.006	5.99±0.15	.019±.006	0.5±0.15	.031±.006	0.8±0.15	TRAY
73366-0062	.280±.006	7.10±0.15	.062±.006	1.57±0.15	.073±.006	1.86±0.15	TAPE & REEL
73366-0061	.280±.006	7.10±0.15	.062±.006	1.57±0.15	.073±.006	1.86±0.15	TRAY
73366-0060	.280±.006	7.10±0.15	.062±.006	1.57±0.15	.073±.006	1.86±0.15	TRAY

PART NO.	A		B		C		PACKAGE	PS-73598-0132	ELECTRO/MECH PERFORM.
	IN	MM	IN	MM	IN	MM			
								SPECIFICATION	DESCRIPTION

ib_frame_C_P_AM_T Rev. E 2006/04/15	12	11	10	9	8	7	6	5	4	3	2	1
--	----	----	----	---	---	---	---	---	---	---	---	---

DRAWING ERROR
600 WAS 900
PER REF 14-E097
DEC NO: URF-2014-0496
2014/03/04
DRAWN IN
CHKD:
APPROV: HUANG
2014/03/11

QUALITY SYMBOLS
▽=0
▽=0

GENERAL TOLERANCES (UNLESS SPECIFIED)

	mm	INCH
4 PLACES	± .005	± .0004
3 PLACES	± .004	± .0003
2 PLACES	± .003	± .0002
1 PLACE	± .002	± .0001

ANGULAR ± 2°

DRAFT WHERE APPLICABLE
MUST REMAIN
WITHIN DIMENSIONS

DIMENSION STYLE
MM/IN

DRAWN BY	DATE
LYNN	2001/04/03
CHECKED BY	DATE
JOHNSON	2001/04/03
APPROVED BY	DATE
MISEN	2001/04/03

MATERIAL NO.
DOCUMENT NO.

SCALE
DESIGN UNITS
METRIC

THIRD ANGLE PROJECTION

TITLE
MCX JACK VERT PCB TH
50 OHMS
MCX-J/PCB EWR-3263

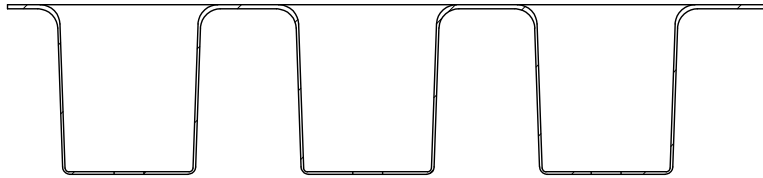
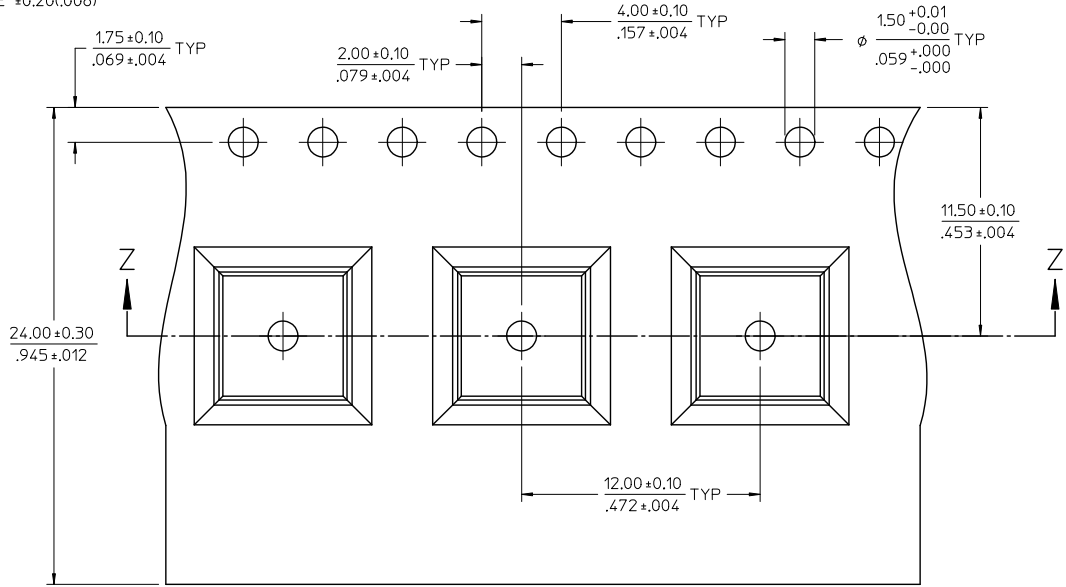
MOLEX MOLEX INCORPORATED

SD-73366-006

SHEET NO.
1 OF 3

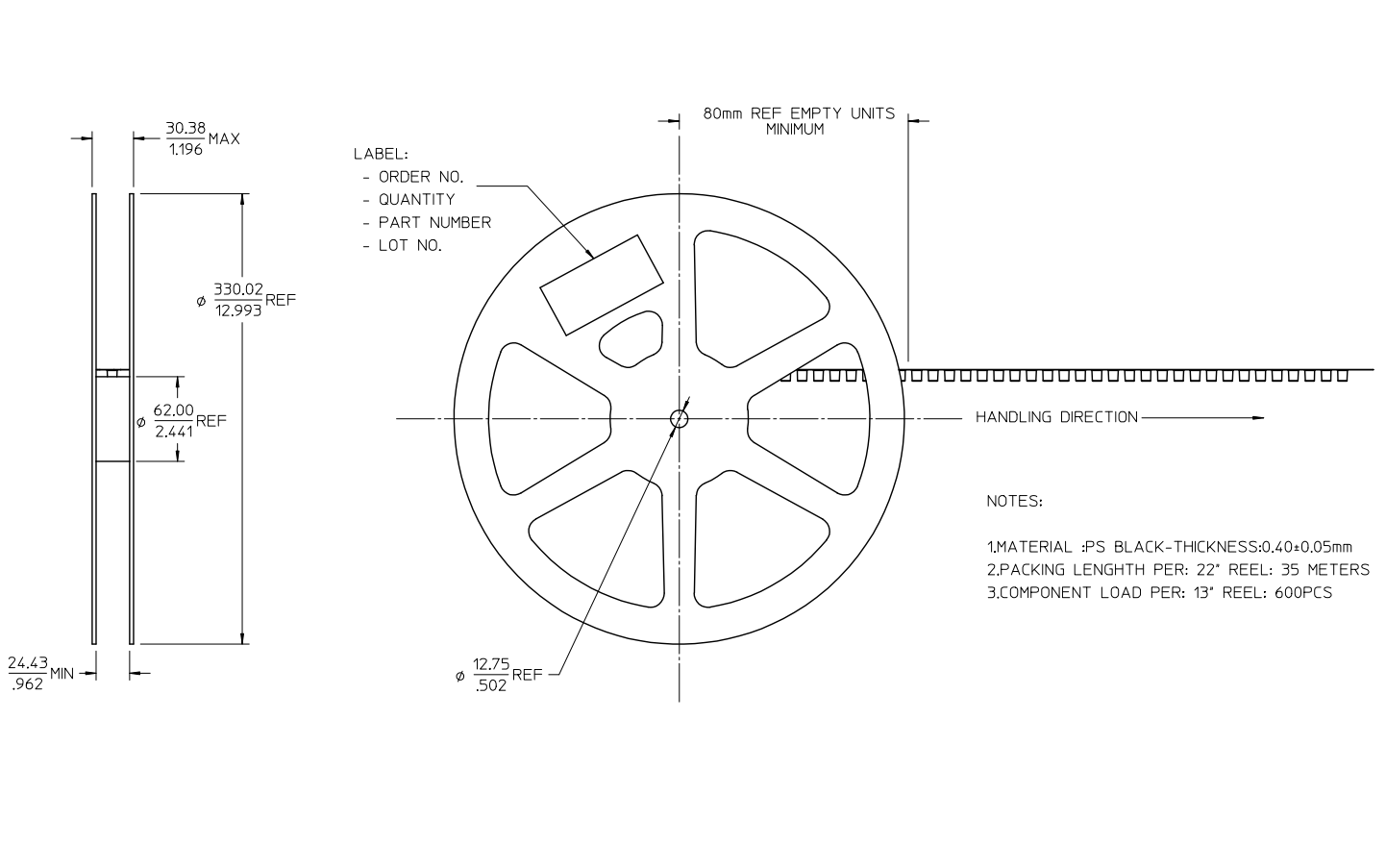
THIS DRAWING CONTAINS INFORMATION THAT IS PROPRIETARY TO MOLEX INCORPORATED AND SHOULD NOT BE USED WITHOUT WRITTEN PERMISSION

NOTE:
1. 10 PITCHES CUMULATIVE TOLERANCE $\pm 0.20(0.008)$



SECTION Z-Z

CHG: SEE SHEET 1 EC NO: URF-2014-0496 DRAWN BY: DRINKELIN CHKD: APPR: HUANG DATE: 2014/03/11 DESCRIPTION:	QUALITY SYMBOLS	GENERAL TOLERANCES (UNLESS SPECIFIED)	DIMENSION STYLE	SCALE	DESIGN UNITS	THIRD ANGLE PROJECTION
	▽=0 ▽=0	mm INCH 4 PLACES ± --- ± --- 3 PLACES ± --- ± --- 2 PLACES ± --- ± --- 1 PLACE ± --- ± --- ANGULAR ± 2°	MM/IN		METRIC	
		DRAFT WHERE APPLICABLE MUST REMAIN WITHIN DIMENSIONS	DRAWN BY: LYNN CHECKED BY: JOHNSON APPROVED BY: M1SEN DATE: 2001/04/03 DATE: 2001/04/03 DATE: 2001/04/03	TITLE	MCX JACK VERT PCB TH 50 OHMS MCX-J/PCB EWR-3263	
	MATERIAL NO. SEE SHEET 1	MOLEX INCORPORATED		DOCUMENT NO. SD-73366-006	SHEET NO. 2 OF 3	



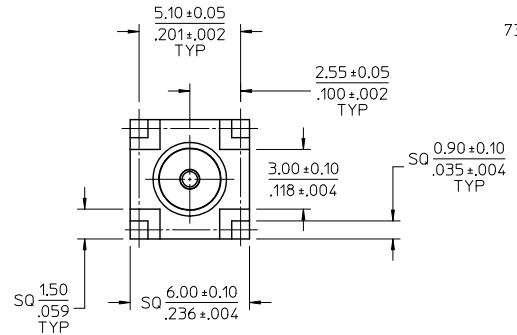
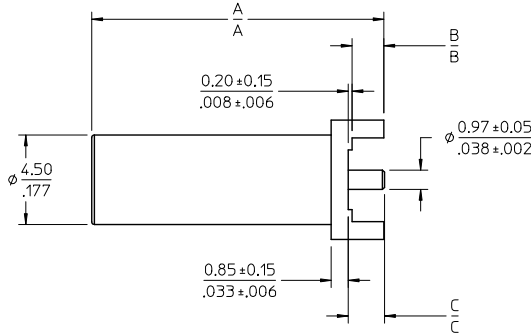
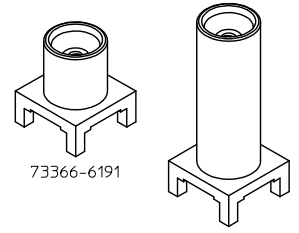
CHG: SEE SHEET 1 EC NO: URF2014-0496 DRAWN IN: 2014/03/04 CHKD: APPROV: JIANG APPR: 2014/03/11 B11	QUALITY SYMBOLS ▽=0 ▽=0	GENERAL TOLERANCES (UNLESS SPECIFIED) mm INCH 4 PLACES ± --- ± --- 3 PLACES ± --- ± --- 2 PLACES ± --- ± --- 1 PLACE ± --- ± --- ANGULAR ± 2 °	DIMENSION STYLE MM/IN	SCALE DESIGN UNITS METRIC	THIRD ANGLE PROJECTION	
	DRAWN BY: LYNN CHECKED BY: JOHNSON APPROVED BY: MISEN	DATE: 2001/04/03 DATE: 2001/04/03 DATE: 2001/04/03	TITLE MCX JACK VERT PCB TH 50 OHMS MCX-J/PCB EWR-3263	MATERIAL NO. SEE SHEET 1	DOCUMENT NO. SD-73366-006	SHEET NO. 3 OF 3
	DRAFT WHERE APPLICABLE MUST REMAIN WITHIN DIMENSIONS					
	THIS DRAWING CONTAINS INFORMATION THAT IS PROPRIETARY TO MOLEX INCORPORATED AND SHOULD NOT BE USED WITHOUT WRITTEN PERMISSION					

MATERIALS AND FINISHES

BODY: BRASS
PLATED GOLD

CONTACT: BERYLLIUM COPPER
PLATED GOLD

INSULATOR: TEFLON



SEE SD-73366-006 FOR TAPE & REEL DRAWING,
PCB LAYOUT, AND PRODUCT SPECIFICATION

73366-6191	.280±.006	7.10±0.15	.062±.006	1.57±0.15	.073±.006	1.86±0.15	TAPE & REEL WITH KAPTON TAPE
73366-6190	.579±.006	14.70±0.15	.062±.006	1.57±0.15	.073±.006	1.86±0.15	TRAY
PART NO.	IN	MM	IN	MM	IN	MM	PACKAGING
A		B		C			

CHG: NEW RELEASE EC NO: URF2014-0534 DRAWN: JLEEDZ 2014/03/21 CHECKED: SSS 2014/03/21 APPROVED: WSP INK 2014/04/10	QUALITY SYMBOLS ▽=0 ▽=0	GENERAL TOLERANCES (UNLESS SPECIFIED)		DIMENSION STYLE MM/IN		SCALE	DESIGN UNITS	THIRD ANGLE PROJECTION															
		<table border="1"> <tr><th></th><th>mm</th><th>INCH</th></tr> <tr><td>4 PLACES</td><td>±---</td><td>±---</td></tr> <tr><td>3 PLACES</td><td>±---</td><td>±---</td></tr> <tr><td>2 PLACES</td><td>±---</td><td>±---</td></tr> <tr><td>1 PLACE</td><td>±---</td><td>±---</td></tr> </table>			mm	INCH	4 PLACES	±---	±---	3 PLACES	±---	±---	2 PLACES	±---	±---	1 PLACE	±---	±---	DRAWN BY: AZR DATE: 2009/10/14 CHECKED BY: SSS DATE: 2009/10/14 APPROVED BY: WSP INK DATE: 2014/04/10		TITLE		
			mm	INCH																			
		4 PLACES	±---	±---																			
3 PLACES	±---	±---																					
2 PLACES	±---	±---																					
1 PLACE	±---	±---																					
ANGULAR ± 2°		DRAFT WHERE APPLICABLE MUST REMAIN WITHIN DIMENSIONS		MATERIAL NO. SEE TABLE SIZE C		MOLEX INCORPORATED	MCX JACK VERTICAL PCB TH 50 OHMS MCX-J/PCB, EWR-4225	SHEET NO. 1 OF 1															
						DOCUMENT NO. SD-73366-619																	