

Excellent Integrated System Limited

Stocking Distributor

Click to view price, real time Inventory, Delivery & Lifecycle Information:

[Molex Connector Corporation](#)
[0733910230](#)

For any questions, you can email us directly:

sales@integrated-circuit.com

MATERIALS AND FINISHES

BODY, REAR BODY, COUPLING NUT BRASS
PLATED GOLD

CENTER CONTACT BRASS
PLATED GOLD

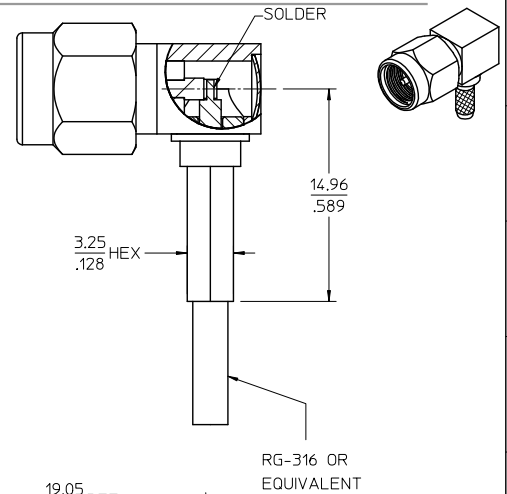
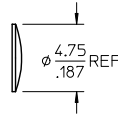
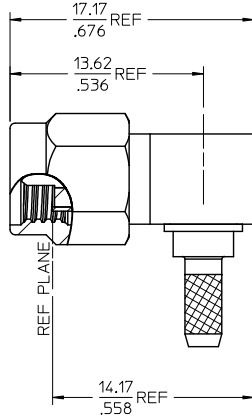
INSULATOR TEFLON

CAP STAINLESS STEEL
PASSIVATED

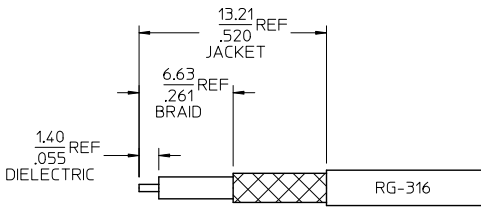
C-RING BERYLLIUM COPPER

CRIMP TUBE BRASS
PLATED SEE TABLE

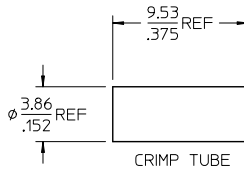
SHRINK TUBE VERSAFIT



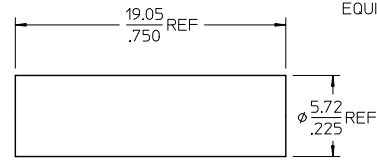
RG-316 OR EQUIVALENT



RECOMMENDED CABLE STRIP



CRIMP TUBE



SHRINK TUBE
(73391-0231 ONLY)

PS-89675-3460	ELECTRICAL/MECHANICAL
MIL-STD-348A, FIG. 310-1	INTERFACE
SPECIFICATION	DESCRIPTION

73391-0234	NOT INCLUDED	NICKEL	73391-0230 PACKED ONE PER BAG
73391-0233	NOT INCLUDED	GOLD	STANDARD TRAY
73391-0232	NOT INCLUDED	NICKEL	73391-0230 PACKED IN SMALL TRAY (20 CAVITY)
73391-0231	INCLUDED	NICKEL	STANDARD TRAY
73391-0230	NOT INCLUDED	NICKEL	STANDARD TRAY
PART NO.	SHRINK TUBE	CRIMP TUBE	PACKAGING
PLATING			

CHG: REVISED CABLE STRIPS EC NO: URF2013-0075 DRAWN: JWIENER 2017/08/07 CHECKED: CHKROSS 2017/08/07 APPR: JWIENER 2017/08/09	QUALITY SYMBOLS ▽=0 ▽=0	GENERAL TOLERANCES (UNLESS SPECIFIED)		DIMENSION STYLE		SCALE	DESIGN UNITS	THIRD ANGLE PROJECTION	
				MM/IN					
		4 PLACES ± --- ± ---		DRAWN BY		DATE		TITLE	
		3 PLACES ± --- ± ---		LYNN LIN		2001/01/30		SMA PLUG R/A 50 OHMS FOR	
2 PLACES ± --- ± ---		CHECKED BY		DATE		RG-316			
1 PLACE ± --- ± ---		KERRIE		2001/01/30		SMA-PC/RA EWR-1765			
ANGULAR ± 2 °		APPROVED BY		DATE		MOLEX INCORPORATED			
		MISEN		2001/01/30		MOLEX INCORPORATED			
DRAFT WHERE APPLICABLE MUST REMAIN WITHIN DIMENSIONS		MATERIAL NO.		DOCUMENT NO.		SHEET NO.			
		SEE TABLE		SD-73391-023		1 OF 1			
THIS DRAWING CONTAINS INFORMATION THAT IS PROPRIETARY TO MOLEX INCORPORATED AND SHOULD NOT BE USED WITHOUT WRITTEN PERMISSION									