

## Excellent Integrated System Limited

Stocking Distributor

Click to view price, real time Inventory, Delivery & Lifecycle Information:

[Molex Connector Corporation](#)  
[73415-5190](#)

For any questions, you can email us directly:

[sales@integrated-circuit.com](mailto:sales@integrated-circuit.com)

**MATERIALS AND FINISHES**

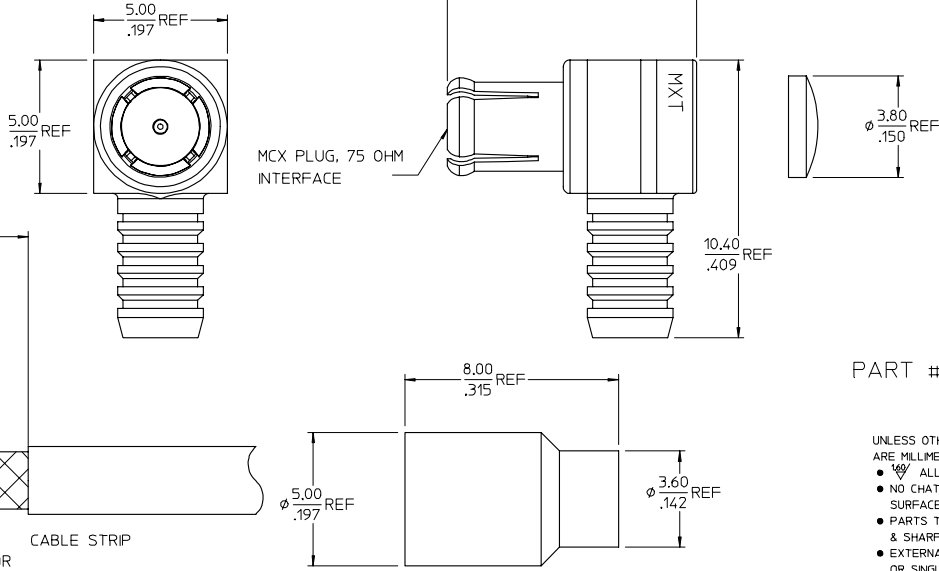
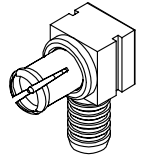
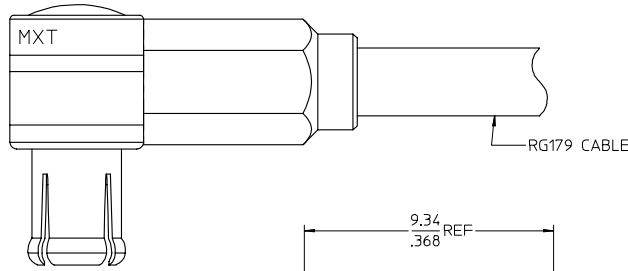
BODY ZINC ALLOY  
PLATED NICKEL (70 MICROINCHES MIN)

CENTER CONTACT BRASS  
PLATED GOLD (10 MICROINCHES MIN)

INSULATOR TEFLON

OUTER CONTACT BERYLLIUM COPPER  
PLATED PLATED GOLD (10 MICROINCHES MIN)

CRIMP DIE: 4.08(.161) HEX



PART # 73415-5190

- UNLESS OTHERWISE SPECIFIED DIMS ARE MILLIMETERS AND ANGLES ARE DEGREES.
- ALL OVER.
  - NO CHATTER OR NON-UNIFORM SURFACE FINISH ALLOWED.
  - PARTS TO BE FREE OF BURRS & SHARP EDGES 0.13(.005) MAX BREAK.
  - EXTERNAL THREADS TO BE ROLLED OR SINGLE POINT.
  - DIAMETERS TO BE CONCENTRIC WITHIN 0.08(.003) TR.

CHG: NEW RELEASE EC NO: URF2005-0952 DRAWN BY: DRW:FLAHERT 2004/10/28 CHK'D BY: CHK:D.SHAH 2004/10/28 APPR: J.MLENER 2004/10/28 REV: A	QUALITY SYMBOLS	GENERAL TOLERANCES (UNLESS SPECIFIED)	DIMENSION STYLE: MM/IN SCALE: DESIGN UNITS METRIC THIRD ANGLE PROJECTION	DRAWN BY: TEF DATE: 2004/10/27 CHECKED BY: SSS DATE: 2004/10/27 APPROVED BY: JDW DATE: 2004/10/27	TITLE	MOLEX INCORPORATED SD-73415-519 SHEET NO. 1 OF 1
	▽=0 ▽=0	4 PLACES ± .005 ± .005 3 PLACES ± .005 ± .005 2 PLACES ± .005 ± .005 1 PLACE ± .005 ± .005 ANGULAR ± 2°	MATERIAL NO. 734155190 DOCUMENT NO. SD-73415-519	MCX PLUG, R/A FOR RG179 75 OHMS, EWR-2625 MCX-PC		
	DRAFT WHERE APPLICABLE MUST REMAIN WITHIN DIMENSIONS	SIZE C	THIS DRAWING CONTAINS INFORMATION THAT IS PROPRIETARY TO MOLEX INCORPORATED AND SHOULD NOT BE USED WITHOUT WRITTEN PERMISSION			