

Excellent Integrated System Limited

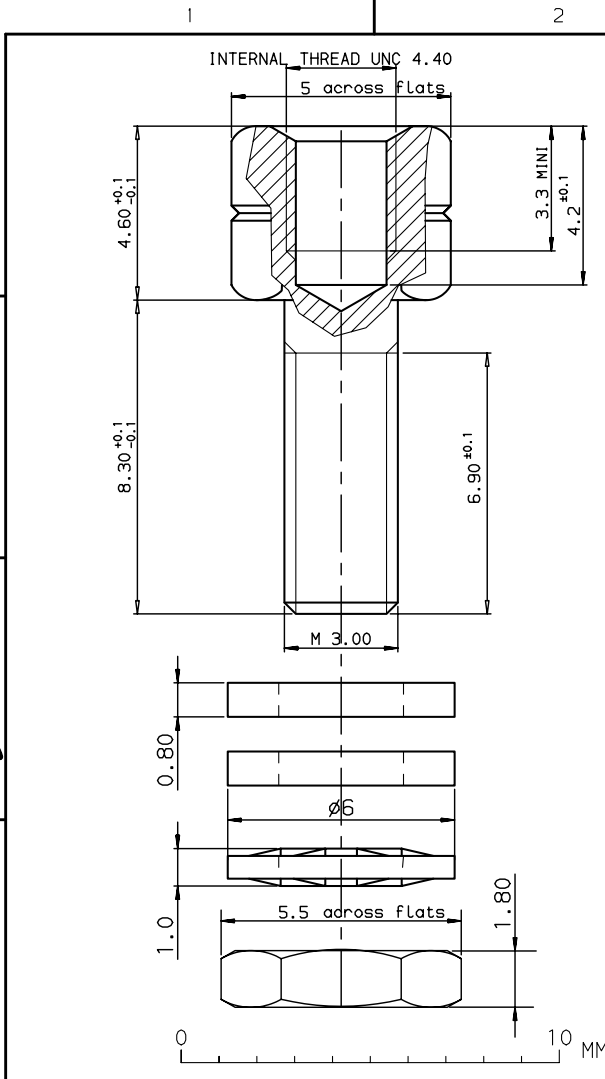
Stocking Distributor

Click to view price, real time Inventory, Delivery & Lifecycle Information:

[FCI](#)
[863001](#)

For any questions, you can email us directly:
sales@integrated-circuit.com

Copyright FCI.



TECHNICAL CHARACTERISTICS :
 Female screw locks: brass, cadmium plated .
 Compensating washer: steel, cadmium plated .
 Nuts : steel, cadmium plated .
 Packaging : per 100 pieces .
 Corrosion resistance : 50 hour exposure to salt spray .

Part number: 863001

rev	ecn no	dr	date	Dr	Eng	Chr	Appr	surface	tolerance std	projection	size	Scale
A	-	JOU	1995/06/20	JOURBERT	PESSON	LEGARE	LEGARE	1995/06/20	1995/06/20	1995/06/20	1995/06/20	1995/06/20
B	L506-0097	LGO	2006/07/28									
C	L507-0001	MFE	2007/01/04									
D	L509-0006	PCR	2008/01/08									
E	L509-0063	PCR	2009/03/25									

www.fciconnect.com	surface ISO 1302	tolerance std ISO 406 ISO 1101	projection mm
TOLERANCES UNLESS OTHERWISE SPECIFIED			
ANGULAR	0.X	± 0.1	size A3
LINEAR	0.XX	± 0.1	Scale 10
0.XX*	0.XXX	± 0.1	ECN L509-0063
Product family D-SUB		Spec ref -	

FCI	FEMALE SCREW LOCKS	Rev.
D SUB ACCESSORIES	C01-8655-0677	E
catalog no	CUSTOMER	sheet 1 of 1

REV F - 2006-04-17