

Excellent Integrated System Limited

Stocking Distributor

Click to view price, real time Inventory, Delivery & Lifecycle Information:

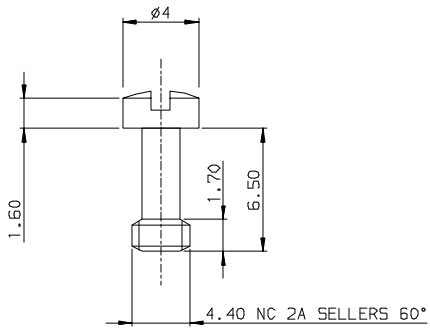
[FCI](#)
[863005ALF](#)

For any questions, you can email us directly:
sales@integrated-circuit.com

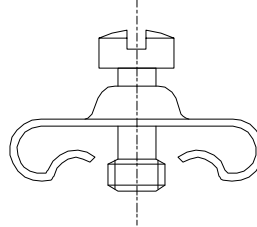
Tous droits réservés. Toute réimpression, reproduction ou communication de ces lignes
 en tout ou en partie, sans l'autorisation écrite de FCI, est formellement interdite.

FCI

All rights are strictly reserved. Reproduction or issue to third parties in any
 form whatsoever, without written authority from the proprietor,
 is prohibited.

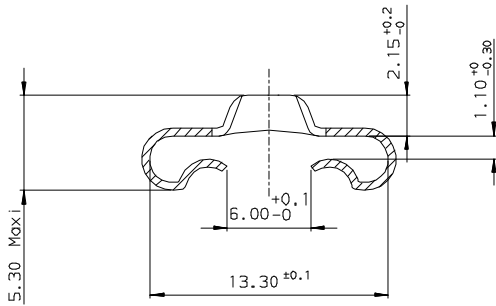


VUE ASSEMBLE



NOTES

Pieces assembly
 Packaging : per 100 piece
 Material : steel
 Thread : UNC 4.40



Part number **863005ALF**

NOTE 1: RoHS INFORMATION

- The "LF" product meets European union Directives and other country regulations as described in GS-22-008.
- The product is not intended to be exposed to a manufacturing solder process.
- Plating: Zinc Cr3+, white color.
- Packaging spec: see GS-14-920.

European view

FCI www.fciconnect.com		ISO 1302	tolerance ISO 406 ISO 1101	projection 	mm ↔
Dr	GOISNARD	12/01/06	Product family	D-SUB 571	size
Eng	PESSON	12/01/06	Spec ref	-	A3
Chr	LEGARE	12/01/06	Material	SEE NOTES	ECN
Appr	LEGARE	12/01/06			LS05-0123
title				9 TO 25 Pts (P ET 5)	Scale
catalog no				-	5
				part no	Rev.
				C01-8655-1647	A
				CUSTOMER COPY	sheet 1 of 1

lir	ecn no	dr	date
A	LS05-0123	LG0	12/01/06
-	-	-	-
-	-	-	-
-	-	-	-
-	-	-	-
-	-	-	-
-	-	-	-