

Excellent Integrated System Limited

Stocking Distributor

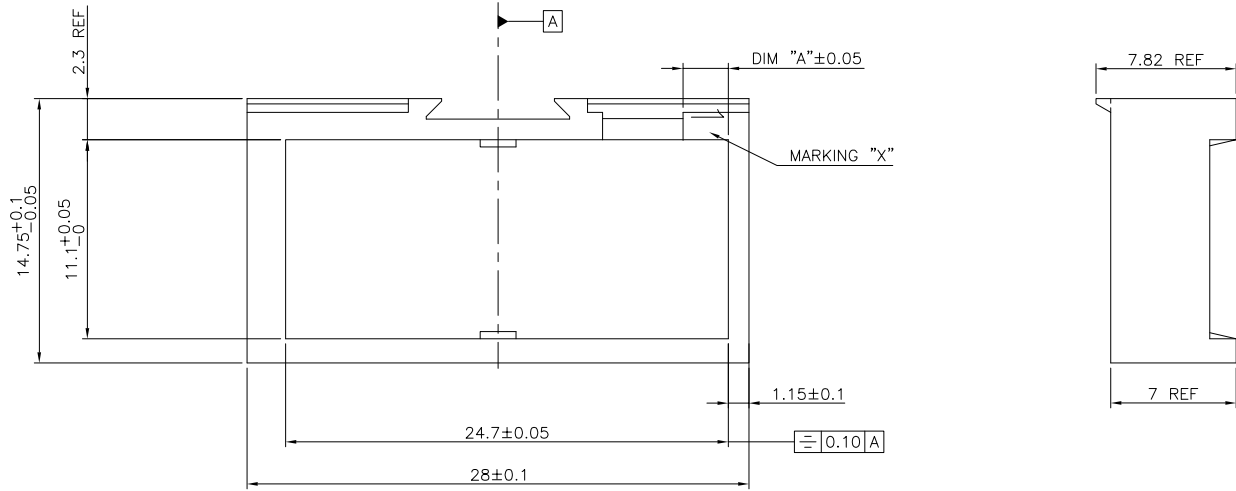
Click to view price, real time Inventory, Delivery & Lifecycle Information:

[FCI](#)
[65184-001LF](#)

For any questions, you can email us directly:
sales@integrated-circuit.com

PRODUCT NUMBER	COLOR	MARKING "X"	DIM "A"
65184-001	BLACK	1	2.53
65184-004	BLACK	4	17.95
65184-011	GREY	1	2.53
65184-014	GREY	4	17.95

MATERIAL: MODIFIED POLYPHENYLENE OXYDE
FLAME RETARDANT PER UL 94 V1
COLOR: BLACK OR GREY.



NOTES:-

1. THIS PRODUCT MEETS EUROPEAN UNION DIRECTIVES AND OTHER COUNTRY REGULATIONS AS DESCRIBED IN GS-22-008.
2. LEADFREE OR RoHS DIRECTIVE LABELLING TO BE PROVIDED AS PER GS-14-920.
3. " LF " SUFFIX TO PRODUCT NUMBER FOR RoHS COMPATIBLE/ LEADFREE VERSION.
4. PARTS WITH AND WITHOUT "LF " SUFFIX ARE FORM-FIT AND FUNCTIONALLY IDENTICAL. " LF " SUFFIX PROVIDED FOR PART NUMBER STANDARDISATION OF PART THAT MEETS RoHS REQUIREMENTS.

mat'l. code	surface	tolerance	projection	product family
SEE NOTE	ISO 1302	ISO 406 ISO 1101	1st angle	BACKPANEL
ltr	ecn no	dr	date	title
E	H10092	HVS	1991-04-01	LOCKING FRAME 1 MODULE
F	F00406	LLA	2000-05-21	
G	F10138	GCD	2001-02-08	dwg no
H	105-0042	MNI	2005-03-17	sheet 1 of 1
J	105-0248	MNI	2005-11-22	size
K	106-0068	MNI	2006-06-01	A3
sheet index	revision	K	1	type
				Product Customer Drawing