

Excellent Integrated System Limited

Stocking Distributor

Click to view price, real time Inventory, Delivery & Lifecycle Information:

[FCI](#)
[95278-101A12LF](#)

For any questions, you can email us directly:
sales@integrated-circuit.com

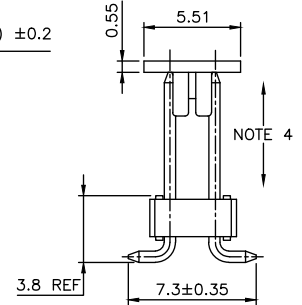
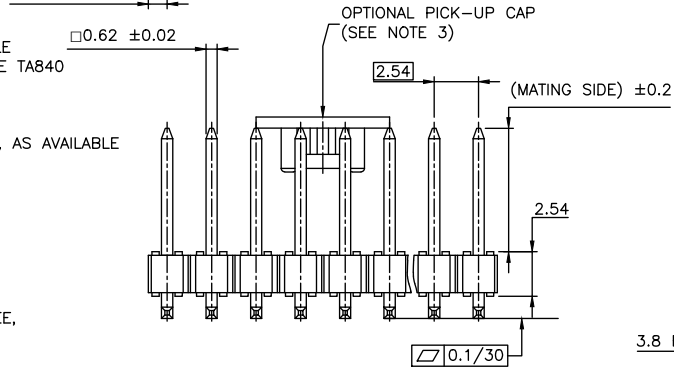
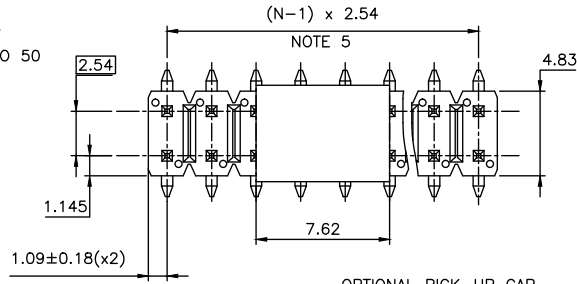
PRODUCT NUMBER
 95278-YXX-XXLF

- RoHS COMPATIBLE, NOTE 6.
- TOTAL NB OF POSITIONS 04 TO 50
- PACKAGING OPTIONS, NOTE 3.
- PIN STYLE SEE SHEET 2
- PLATING SEE SHEET 2

NOTES:

1. HOUSING MAT'L : HIGH TEMPERATURE THERMOPLASTIC. UL94V-0 COLOR: BLACK
2. PIN MATERIAL : PHOSPHOR BRONZE
- 3 - PACKAGING OPTIONS:
 - = POLY BAGS
 - B = TUBE + CAP
 - A = TAPE & REEL WITH CAP, AS AVAILABLE
 - TR = CUSTOM TAPE & REEL WITH CAP, SEE TA840 ONLY FOR P/N 95278-102TR04LF AND P/N 95278-101TR10LF
 - T = TUBE WITHOUT PICK UP CAP
 - K = TAPE & REEL WITHOUT PICK UP CAP, AS AVAILABLE

4. 9N MIN RETENTION IN EITHER DIRECTION
5. TO DETERMINE DIMENSIONS :
 N = NUMBER OF POSITIONS PER ROW
6. RoHS COMPATIBLE PRODUCT SPECIFICATIONS
 - a - PLATING:
 - "LF" MEANS THE PRODUCT IS LEAD-FREE, 2µm MINIMUM MATTE TIN OVER 1.27µm MINIMUM NICKEL UNDERPLATE.
 - b - MANUFACTURING PROCESS COMPATIBILITY
 - THE HOUSING WILL WITHSTAND EXPOSURE TO 260°C PEAK TEMPERATURE FOR 30 SECONDES IN A CONVECTION, INFRA-RED OR VAPOR PHASE REFLOW OVEN.
 - c - LABELING:
 - MEETS PACKAGING SPECS AS PER GS-14-920
 - d - LEGAL STATEMENT: SEE GS-47-0004

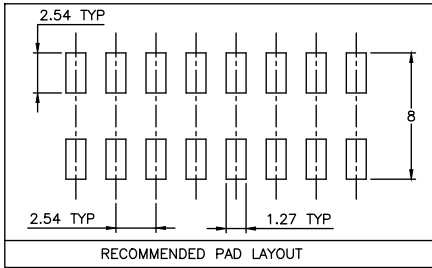


mat'l. code		surface		tolerance		projection		product family	
		ISO 1302	ISO 486	ISO 1101			BERGSTIK		
Ltr	ecn no	dr	date	tolerances unless otherwise specified		mm		title	
W	F-22120	BVE	15.10.09	angles	xx ±0.3	mm		UNSHR.HEADER	
X	F-22217	BVE	15.10.19	linear	xxx ±0.13	mm		DR SMT	
Y	F-23055	AMA	16.01.15		xxx ±0.05	scale 5:1		dwg no	
AA	F-23246	AMA	16.02.12	dr	D.I.E	01.01.24		sheet 1 of 2	
AB	F-23258	AMA	16.02.15	engr	J.M.C	01.01.24		size	
AC	F-23474	JJU	16.03.08	chr	J.M.C	01.01.24		95278	
V	B-20561	AMA	15.03.26	appd	J.F.N	01.01.24		A3	
sheet	revision	AC	U					type	
index	sheet	1	2					CUSTOMER Drawing	

PIN STYLE	MATING
01	5.9
02	8
03	9.9
04	11.4
05	9.2
06	10.4
07	5.3
09	17.00
10	8.10
11	8.50
12	3.05
13	14.35
14	4.00
15	6.60

PLATING

- 1 = 0.76µm GOLD/GXT ON CONTACT AREA, 2µm TIN MIN ON TAIL
- 4 = 2µm TIN MIN FULL PLATED
- 5 = 0.25µm GOLD/GXT ON CONTACT AREA, 2µm TIN MIN ON TAIL
- 8 = 0.38µm GOLD/GXT ON CONTACT AREA, 2µm TIN MIN ON TAIL
- 1.27µm NICKEL MIN UNDERLAYER FOR ALL PLATING VERSIONS



mat'l. code		surface		tolerance		projection		product family	
		ISO 1302		ISO 406 ISO 1101		mm		BERGSTIK	
Ltr		ecn no		date		tolerances unless otherwise specified		title	
N		F08-0253		LMU 08.12.10		angles linear		UNSHR. HEADER	
P		B-18789		LMU 14.09.11		scale N/A		DR SMT	
R		B-18983		LMU 14.10.03				dwg no	
S		B-20276		LMU 15.02.16		dr D.I.E		01.01.24	
T		B-20561		AMA 15.03.26		engr JM.C		01.01.24	
U		F-22120		BVE 15.10.09		chr JM.C		01.01.24	
						appd JF.N		01.01.24	
sheet index		revision sheet						type CUSTOMER Drawing	