

Excellent Integrated System Limited

Stocking Distributor

Click to view price, real time Inventory, Delivery & Lifecycle Information:

[FCI](#)

[54202-T08-05A](#)

For any questions, you can email us directly:

sales@integrated-circuit.com

1 | 2 | 3 | 4 | 5 | 6

PRODUCT NUMBER
5 4 2 0 2 - X X X X X - X X X LF

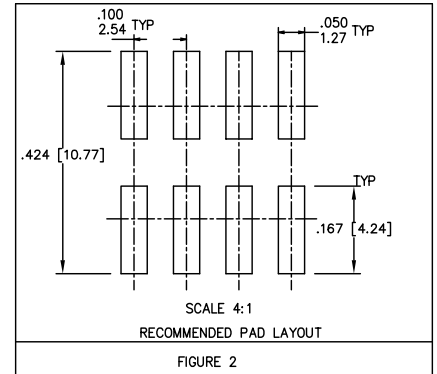
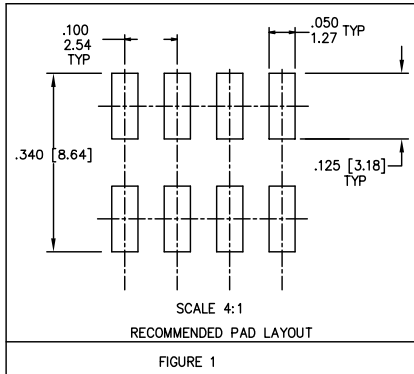
PLATING
S=15µm [0.38µm] ON CONTACT AREA
100µm [2.5µm] TIN ON TAIL (NOTE 13)
G=30µm [0.76µm] ON CONTACT AREA
100µm [2.5µm] TIN ON TAIL (NOTE 13)
T=100µm [2.5µm] TIN ON CONTACT AREA AND ON TAIL (SEE NOTE 11)
F=2µm [0.05µm] GOLD ON CONTACT AREA AND ON TAIL

LEAD FREE OPTION NOTE 9 & 10
POLARIZATION NOTE 6
PACKAGING TYPE, NOTE 5
POSITIONS PER ROW 02 TO 20

| LEAD STYLE | POST | TAIL OVERALL WIDTH | PCB LAYOUT |
|------------|--------------------------|---|------------|
| 08 30 | 0.230/5.84 0.318/8.08 | .290 ^{+0.015} / _{-0.017} / 7.37 ^{+0.38} / _{-0.43} | FIGURE 1 |
| 60 | 0.575/14.60 | .374 ^{+0.015} / _{-0.017} / 9.50 ^{+0.38} / _{-0.43} | FIGURE 2 |

NOTES:

- HOUSING MAT'L: HIGH TEMPERATURE THERMOPLASTIC. FLAME RETARDANT PER UL 94V-0. COLOR: BLACK. OR MINERAL FILLED LCP FLAME RETARDANT PER UL-94V-0. COLOR: BLACK. THESE PART NUMBERS WILL WITHSTAND EXPOSURE TO 260 C PEAK TEMPERATURE FOR 20 SECONDS IN WAVE SOLDER, INFRA-RED OR VAPOR PHASE SOLDER PROCESS.
- PIN MATERIAL: PHOSPHOR-BRONZE
- TO DETERMINE DIMENSIONS: N = NUMBER OF POSITIONS ROW. EXAMPLE: 10 POS., N x .100/2.54=1.00/25.4
- 2LBS/0.9KG MIN. PIN RETENTION IN EITHER DIRECTION.
- PACKAGING: NONE =POLY BAGS WITHOUT PICKUP CAP. T =TUBES (OMIT DASH IF NOT POLARIZED). P =TUBES WITH PICKUP CAPS. A =TAPE AND REEL WITH PICKUP CAPS. C =CUSTOMIZED TAPE AND REEL WITH PICKUP CAPS. D =TAPE AND REEL WITHOUT PICKUP CAPS. S =SPECIAL REQUEST OF TAPE AND REEL WITH PICKUP CAPS. M =TAPE AND REEL WITH PICKUP CAPS FOR SPECIAL CUSTOMER.
- FOR POLARIZATION, SPECIFY POSITION NUMBER (i.e. A03=ROW A POS. 3) TO OMIT PIN. OMIT FROM PRODUCT NUMBER IF THIS FEATURE IS NOT APPLICABLE. PRODUCT MANAGEMENT APPROVAL REQUIRED PRIOR TO RELEASE OR SALE OF POLARIZED PRODUCTS.
- UNDERPLATING: 50µm /1.2µm Ni.
- PIN TIPS ON Sn PLATED PRODUCT MAY HAVE BARE METAL ON TWO SIDES, BOTH ENDS.
- PART NUMBERS WITH "LF" SUFFIX AT THE END ARE LEAD FREE.
- THESE PRODUCTS MEETS EUROPEAN UNION DIRECTIVES AND OTHER COUNTRY REGULATION AS DESCRIBED IN GS-22-008.
- "THIS PRODUCT HAS 100% PURE TIN PLATING IN THE INTERFACE AND HAS NOT BEEN TESTED FOR WHISKER GROWTH IN ALL INTERCONNECT ENVIRONMENTS."
- THE HOUSING WILL WITHSTAND EXPOSURE TO 260°C PEAK TEMPERATURE FOR 20 SECONDS IN A CONVECTION, INFRA-RED OR VAPOR PHASE REFLOW OVEN. SEE APPLICATION NOTES/PROCEDURES IF THEY ARE AVAILABLE.
- MAY BE EITHER GOLD OR GXT PLATED AT MANUFACTURER'S OPTION

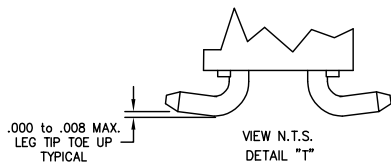
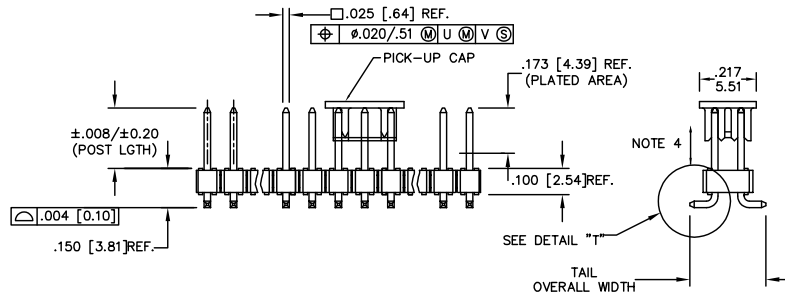
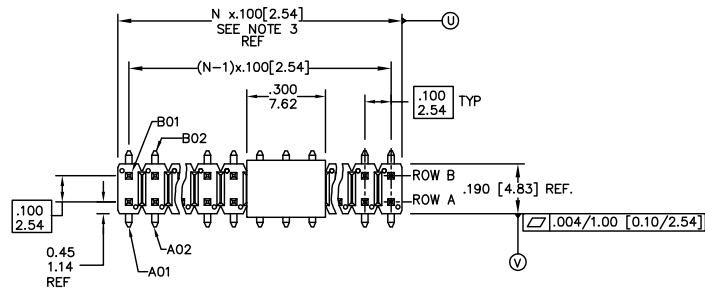


| | | | | |
|---------------|----------|------------|------------|----------------|
| mat'l. code | surface | tolerance | projection | product family |
| SEE NOTES 1&2 | ISO 1302 | ISO 406 | ISO 1101 | BERGSTIK |
| ltr | ecr | no | dr | date |
| W | EXL-N | 1222 | JZ | 2012-07-15 |
| X | EXL-N | 1474 | ZK | 2013-05-14 |
| Y | EXL-N | 1983 | JH | 2015-01-15 |
| AA | EXL-N | 2123 | MZ | 2015-06-25 |
| AB | EXL-N | 2285 | MZ | 2015-12-22 |
| dr | D.JNGRAM | 1999-05-17 | | |
| enr | H.SUNDAY | 1999-07-21 | | |
| chr | H.SUNDAY | 1999-07-21 | | |
| appd | H.SUNDAY | 1999-07-21 | | |
| sheet | revisor | AB | AB | AB |
| index | sheet | 1 | 2 | 3 |
| | | 4 | | |

FCI
FCIconnect.com
Copyright FCI

form: A3 | 1 | 2 | 3 | 4 | 5 | 6

PRODUCT NUMBER
SEE SHEET 1



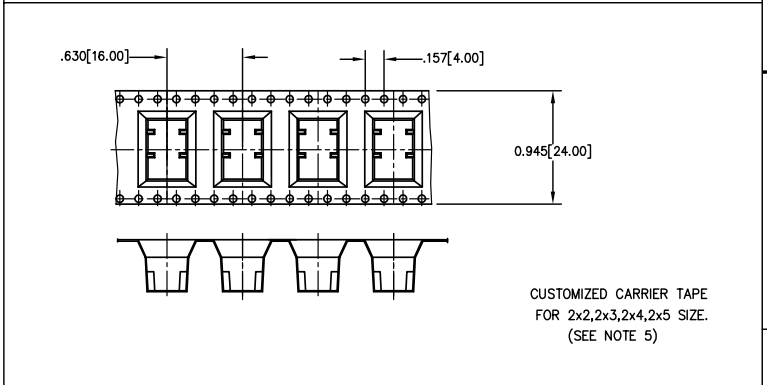
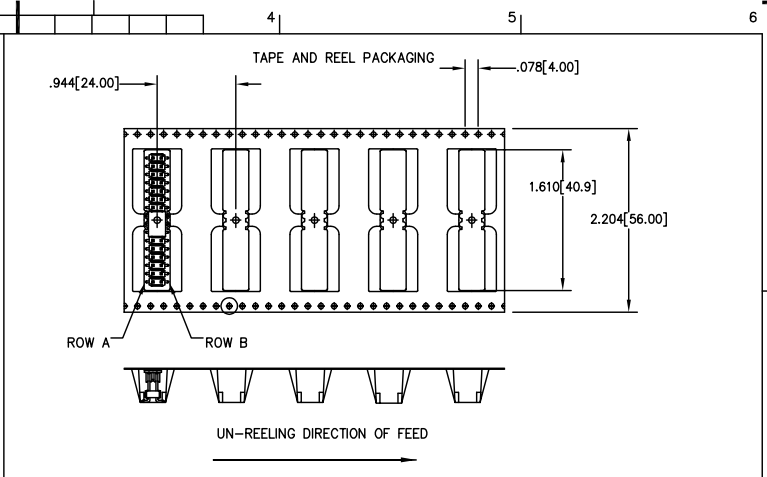
| | | | | |
|---------------|------------|------------|------------|----------------|
| mat'l. code | surface | tolerance | projection | product family |
| SEE NOTES 1&2 | ISO 1302 ✓ | ISO 406 | ISO 1101 | BERGSTIK |
| ltr | ecn | no | dr | date |
| AB | | | | |
| | angles | linear | | |
| | 0°±2' | | | |
| dr | D.INGRAM | 1999-05-17 | | |
| enrg | H.SUNDAY | 1999-07-21 | | |
| chr | H.SUNDAY | 1999-07-21 | | |
| appd | H.SUNDAY | 1999-07-21 | | |
| sheet | revision | | | |
| index | sheet | | | |

| | |
|---|--------------------------|
| title | product family |
| .100 UNSHROUDED HDR DUAL ROW VERT. SMT. | BERGSTIK |
| dwg no | sheet 2 of 4 size |
| 54202 | A3 |
| type | Product Customer Drawing |

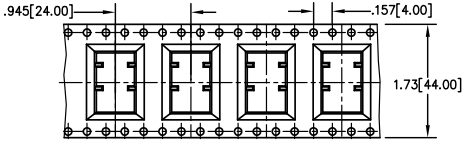
| TAPE AND REEL PACKAGING | | |
|-------------------------|-----------------------------------|-----------------------------------|
| SIZE | LEAD STYLE 08 POST (0.230 [5.84]) | LEAD STYLE 30 POST (0.318 [8.08]) |
| 2X2 | YES | YES |
| 2X3 | YES | |
| 2X4 | YES | YES |
| 2X5 | YES | |
| 2X6 | YES | |
| 2X7 | YES | YES |
| 2X8 | YES | |
| 2X9 | YES | |
| 2X10 | YES | |
| 2X11 | YES | |
| 2X12 | YES | YES |
| 2X13 | YES | |
| 2X14 | YES | |
| 2X15 | YES | |
| 2X16 | YES | YES |
| 2X17 | YES | |
| 2X18 | YES | |
| 2X19 | YES | |
| 2X20 | YES | |

Cross Reference

| CORE RANGE | EXTENDED RANGE |
|---------------|----------------|
| 54202-X08XXLF | 95278-X01-XXLF |
| 54202-X30XXLF | 95278-X02-XXLF |

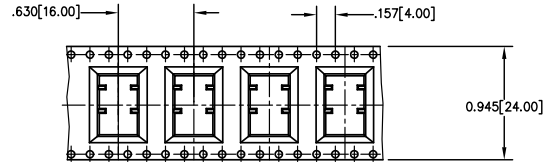


| | | | | |
|---------------|----------|---------------|------------|---|
| mat'l. code | surface | tolerance | projection | product family |
| SEE NOTES 1&2 | ISO 1302 | ISO 406 | | BERGSTIK |
| ltr | ecn | no | dr | date |
| AB | | | | |
| | angles | linear | INCH/MM | title |
| | 0°±2' | XXX106/XXX113 | scale 1:1 | .100 UNSHROUDED HDR DUAL ROW VERT. SMT. |
| | dr | D.INGRAM | 1999-05-17 | dwg no |
| | enrg | H.SUNDAY | 1999-07-21 | 54202 |
| | chr | H.SUNDAY | 1999-07-21 | sheet 3 of 4 size |
| | appd | H.SUNDAY | 1999-07-21 | A3 |
| sheet | revision | | | type |
| index | sheet | | | Product Customer Drawing |



UN-REELING DIRECTION OF FEED

54202-****SLF
SPECIAL REQUEST CARRIER TAPE
FOR 2x5 SIZE(SEE NOTES 5)



UN-REELING DIRECTION OF FEED

54202-****MLF
TAPE AND REEL WITH PICK UP
CAP FOR SPECIAL CUSTOMER
FOR 2x5 SIZE(SEE NOTES 5)

FCI
FCIconnect.com

Copyright FCI

| | | | | | |
|---------------|----------------|----------|--------------------------|------------|--|
| mat'l. code | | surface | tolerance | projection | product family |
| SEE NOTES 1&2 | | ISO 1302 | ISO 406 | | BERGSTIK |
| | | | ISO 1101 | | |
| ltr | ecm | no | dr | date | title |
| AB | | | | | .100 UNSHROUDED HDR DUAL ROW VERT. SMT. |
| | | angles | linear | INCH/MM | scale 1:1 |
| | | 0±2° | XXX106/XXX113 | | scale 1:1 |
| | | dr | D.INGRAM | 1999-05-17 | dwg no |
| | | enr | H.SUNDAY | 1999-07-21 | sheet 4 of 4 size |
| | | chr | H.SUNDAY | 1999-07-21 | 54202 |
| | | appd | H.SUNDAY | 1999-07-21 | A3 |
| | | type | Product Customer Drawing | | |
| sheet index | revision sheet | | | | |