

Excellent Integrated System Limited

Stocking Distributor

Click to view price, real time Inventory, Delivery & Lifecycle Information:

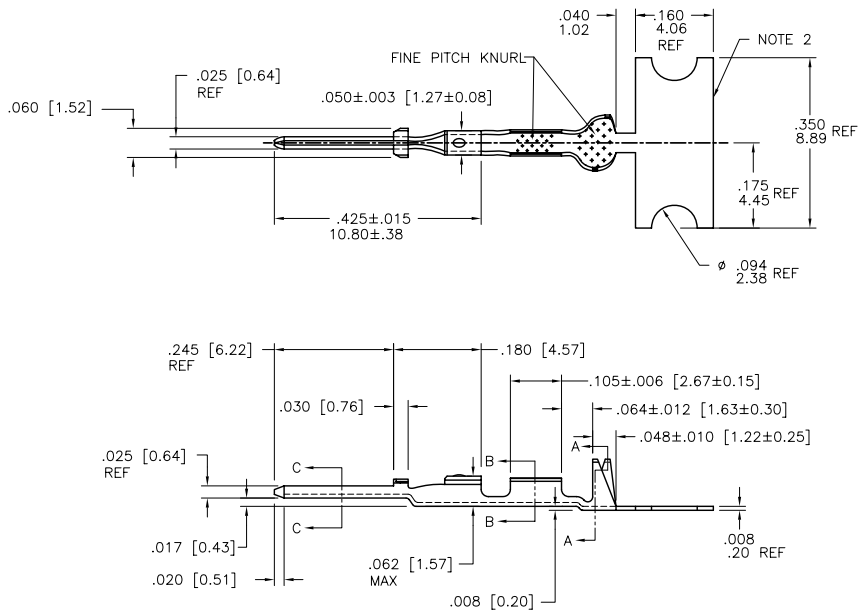
[FCI](#)
[75653-005LF](#)

For any questions, you can email us directly:
sales@integrated-circuit.com



FCIconnect.com

PRODUCT NUMBER
SEE SHEET 2

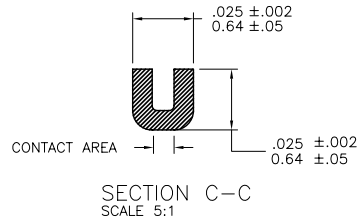
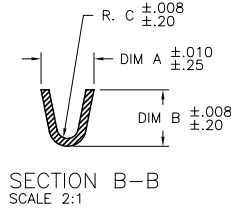
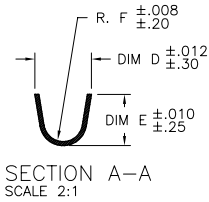


mat'l code	3/4 HD BRASS CDA NO. 260	surface	tolerance	projection	product family
Utr	ec'n no	dr	date	tolerances unless otherwise specified	PV TERMINAL
D	V41703	SAR	1994-11-30	XX +01/XX-3	title
E	V80946	LSS	1998-06-03	XXX +005/XXX-B	CTW MALE PIN
F	V04-0056	VS	2004-02-17	0° ±2'	INCH/MM
G	V05-0467	HTB	2005-05-23	XXX +0020/XXX-051	scale 4/1
H	V06-0623	HTB	2006-06-28	dr	S. ROYER 1994-11-30
J	V07-0218	HTB	2007-03-16	chr	T.HANNA 1994-11-30
K	V08-0440	HTB	2008-10-09	app'd	T.HANNA 1994-11-30
sheet	revision	K	K	K	FCI
index	sheet	1	2	3	dwg no
					75653
					sheet 1 of 3
					size A4
					type CUSTOMER Drawing

form: A4mmXLC



PRODUCT NO. AS REELED FOR APPLICATION MACHINES NOTE 5		WIRE AWG	WIRE BARREL			INSULATION BARREL			
RIGHT TO LEFT FEED	LEFT TO RIGHT FEED		A	B	C	D	E	F	
75653-001	75653-004	28-32	.054/1.37	.058/1.47	.011/0.28	.115/2.92	.105/2.67	.040/1.02	OBSOLETE
75653-001LF	75653-004LF	28-32	.054/1.37	.058/1.47	.011/0.28	.115/2.92	.105/2.67	.040/1.02	NOTE 7
75653-002	75653-005	22-26	.070/1.78	.065/1.65	.017/0.43	.139/3.53	.120/3.05	.050/1.27	OBSOLETE
75653-002LF	75653-005LF	22-26	.070/1.78	.065/1.65	.017/0.43	.139/3.53	.120/3.05	.050/1.27	NOTE 7
75653-003	75653-006	18-20	.104/2.64	.104/2.64	.021/0.53	.139/3.53	.120/3.05	.050/1.27	OBSOLETE
75653-003LF	75653-006LF	18-20	.104/2.64	.104/2.64	.021/0.53	.139/3.53	.120/3.05	.050/1.27	NOTE 7



NOTES:

1. PLATING: 100μ"/2.54μ SnPb MINIMUM PRE-PLATED (OBSOLETE)
P/N WITH LF SUFFIX: 100μ"/2.54μ Sn MINIMUM PRE-PLATED
2. FOR MANUFACTURING PURPOSES ONLY.
3. PART MAY BE USED WITH MINI-LATCH HSG.
4. APPLICABLE SPECIFICATIONS:
A. BUS-12-098: PRODUCT SPECIFICATION
B. TA-211: CRIMP SPECIFICATION
5. PART NUMBERS WITH AN LF SUFFIX MEET EUROPEAN UNION DIRECTIVES AND OTHER COUNTRY REGULATIONS AS DESCRIBED IN GS-22-008.
6. THIS PRODUCT IS NOT INTENDED TO BE EXPOSED TO MANUFACTURING SOLDER PROCESSES.
7. THIS PRODUCT HAS 100% TIN PLATING IN THE INTERFACE AND HAS NOT BEEN TESTED FOR WHISKER GROWTH IN ALL INTERCONNECT ENVIRONMENTS.
8. PACKAGE QUANTITY: 8000 PER REEL.

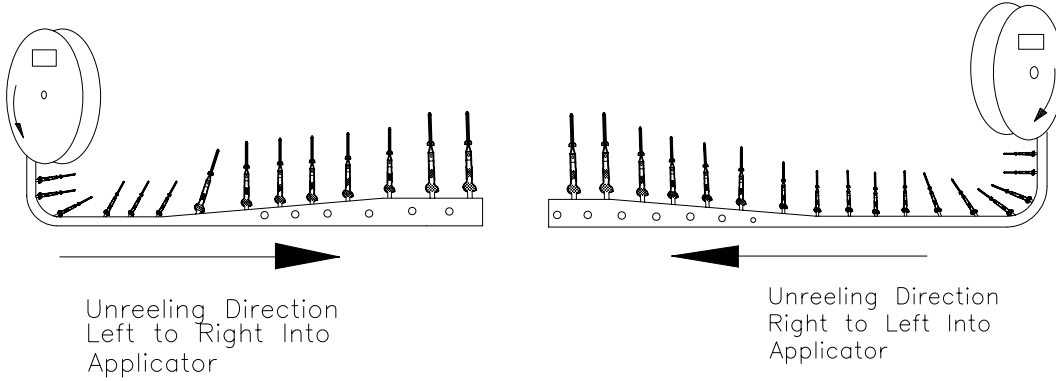
mat'l code	3/4 HD BRASS CDA NO. 260	surface	tolerance	projection	product family	PV TERMINAL
litr	ecn no	dr	date	tolerances unless otherwise specified	title	CTW MALE PIN
K				XX +01/XX-3	INCH/MM	
				XXX +005/XXX-B	scale	4/1
				0' ±2'	XXX ±0020/XXX-051	FCI
				dr	S. ROYER	1994-11-30
				engr	T.HANNA	1994-11-30
				chr	T.HANNA	1994-11-30
				appd	T.HANNA	1994-11-30
sheet index	revision sheet				dwg no	75653
					sheet	2 of 3
					size	A4
					type	CUSTOMER Drawing

Copyright FCI



FCIconnect.com

PRODUCT NUMBER
SEE SHEET 2



mat'l. code		3/4 HD BRASS CDA NO. 260		surface	tolerance	projection	product family
Utr	ecm no	dr	date	tolerances unless otherwise specified		INCH/MM	title
k				angles	XX +01/XX-3		CTW MALE PIN
				dr	XXX +005/XXX-18	scale 1:1	dwg no
				dr	XXXX +0020/XXXX-051		sheet 3 of 3 size
				engr	H. SUNDY 2004-02-17	FCI	75653
				chr	H. SUNDY 2004-02-17		A4
				appd	H. SUNDY 2004-02-17		type
sheet index	revision sheet						CUSTOMER Drawing

form: A4mmX1c