



Distributor of FCI: Excellent Integrated System Limited

Datasheet of 68046-603 - Connector Receptacle 6 Position 0.100" (2.54mm) Gold or Gold,
GXT Surface Mount

Contact us: sales@integrated-circuit.com Website: www.integrated-circuit.com

Excellent Integrated System Limited

Stocking Distributor

Click to view price, real time Inventory, Delivery & Lifecycle Information:

[FCI](#)

[68046-603](#)

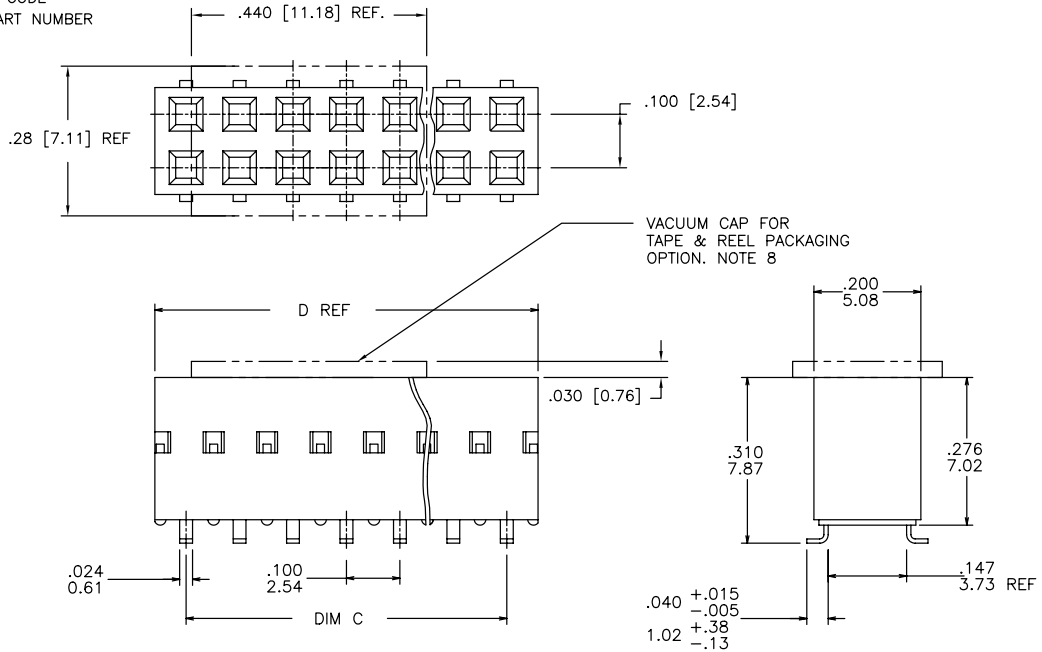
For any questions, you can email us directly:

sales@integrated-circuit.com

Contact us: sales@integrated-circuit.com Website: www.integrated-circuit.com

PRODUCT NUMBER
SEE TABLE

68046 - XXX - LF
 LEAD FREE OPTION
 PACKAGING OPTION NOTE 6. OMIT IF NOT REQUIRED
 NO OF POSITIONS PER ROW
 PLATING CODE
 BASE PART NUMBER



VACUUM CAP FOR TAPE & REEL PACKAGING OPTION. NOTE 8

mat'l. code	surface	tolerance	projection	product family
	ISO 1302	ISO 406		DUBOX
tr/ecn n/d/r date	tolerances unless otherwise specified		INCH/MM	title
AV N-005264 SH 2011-8-25	angles	XXX.01/XXX.3	scale 1:1	SMT DOUBLE ROW VCC ASSEMBLY
AN W04-0988 DAI 10/13/04	linea	XXX.005/XXX.13		dwg no 68046 sheet 1 of 5 size A3
AP W04-1003 DAI 10/25/04 0±2°	XXX.000/XXX.05			type Product Customer Drawing
AR W05-0463 DPU 06/28/05 dr J. SHREINER 11/07/90				
AS W07-0143 ERE 03/03/07 engr M. HAHN 11/07/90				
AT W07-0203 AGS 5/02/07 chr M. HAHN 11/07/90				
AU W08-0065 MHT 3/04/05 appd M. HAHN 11/07/90				
sheet revisor AV AV AV AV AV				
index sheet 1 2 3 4 5				

PDS: Rev :AV STATUS: released Printed: Aug 24, 2011

Copyright FCI

FCIconnect.com

Contact us: sales@integrated-circuit.com Website: www.integrated-circuit.com

PRODUCT NUMBER NOTE 15	PLATING CONTACT AREA	PLATING SOLDER TAIL	MATERIAL REF
68046-2XX	15μ"/.38μ Au OR GXT MIN OVER 50μ"/1.27μ Ni MIN	100μ"/160μ" SN 2.54μ"/4.06μ" SN	NOTE 3&4
68046-3XX	30μ"/.76μ Au OR GXT MIN OVER 50μ"/1.27μ Ni MIN	100μ"/160μ" SN 2.54μ"/4.06μ" SN	NOTE 3&4
68046-4XX	100μ"/2.54 SN MIN OVER 50μ"/1.27μ Ni MIN	100μ"/160μ" SN 2.54μ"/4.06μ" SN	NOTE 3,4&17
68046-6XX	30μ"/.76μ Au OR GXT MIN OVER 50μ"/1.27μ Ni MIN	100μ"/160μ" SN 2.54μ"/4.06μ" SN	NOTE 3&4
68046-8XX	30μ"/.76μ Au MIN OVER 50μ"/1.27μ Ni MIN	200μ"/5.08μ SL MIN	NOTE 3&4

OBSOLETE

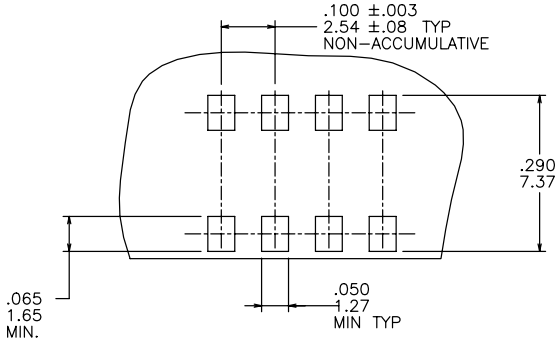


FIGURE A
TOP ENTRY
.025/.64 SQ PIN

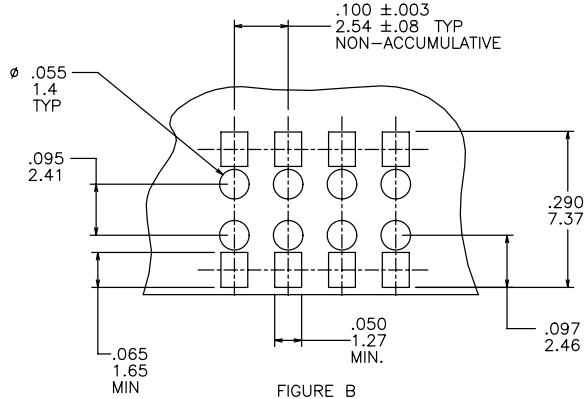


FIGURE B
BOTTOM ENTRY (THROUGH PWB)
.025/.64 SQ PIN

mat'l. code	surface ISO 1302	tolerance ISO 406 ISO 1101	projection	product family DUBOX
ltr ecn nndr date	tolerances unless otherwise specified		INCH/MM	title
AV	angles 0°±2'	linea XXX.X/XXX.X XXX.X/XXX.X XXX.X/XXX.X	scale 1:1	SMT DOUBLE ROW VCC ASSEMBLY
	dr J. SHREINER 11/07/90	enfr M. HAHN 11/07/90		dwg no 68046
	chr M. HAHN 11/07/90	oppd M. HAHN 11/07/90		sheet 2 of 5 size A3
sheet index	revision sheet			type Product Customer Drawing

4 PDS: Rev :AV

STATUS: released

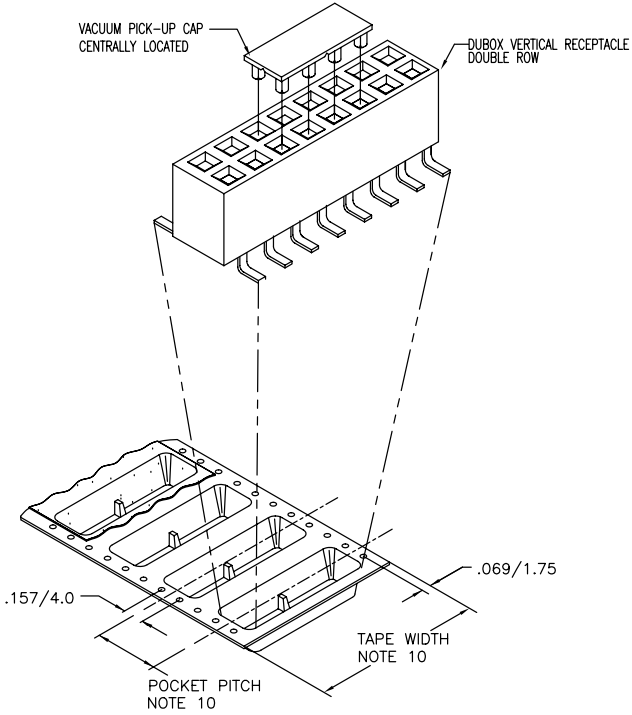
Printed: Aug 24, 2011

FCI
FCIconnect.com
Copyright FCI

Contact us: sales@integrated-circuit.com Website: www.integrated-circuit.com

NOTES:

- ① TERMINAL MATERIAL: PHOSPHOR BRONZE.
EXTRA HARD
2. RECOMMENDED APPLICATION DATA:
A. RECOMMENDED SOLDER PAD PATTERN IS SHOWN IN FIGURE A & B.
B. ALL MATING PINS TO BE .025/.64 SQUARE ON TRUE CENTER OF ON GIVEN TERMINAL SPACING WITHIN .015/.38 DIA.
C. SUGGESTED MATING PIN LENGTH .210±.010 [5.33±.51]
- ③ HOUSING MATERIAL: P.P.S. FILLED.
FLAME RETARDANT PER UL-94-V0.
COMPATIBLE WITH INFRA-RED SOLDERING.
COLOR: BLACK
PART WILL WITHSTAND EXPOSURE TO 260° C PEAK TEMPERATURE FOR 20 SECONDS IN WAVE SOLDER, INFRA-RED OR VAPOR PHASE SOLDER PROCESS.
- ④ PRESTAMPED POST PLATED TERMINAL.
5. FCI, FCI FINAL PART NUMBER AND DATE CODE TO BE MARKED ON TUBE LABEL.
6. ADD SUFFIX 'P' TO DASH NUMBER AS FOURTH DIGIT FOR TAPE & REEL PACKAGING.
- ⑦ TAPE AND REEL PACKAGING PER GES-14-334.
- ⑧ VACUUM CAP MATERIAL: L.C.P., FLAME RETARDANT UL 94 V-0.
COLOR : BLACK
CAP IS USED WITH TAPE AND REEL PACKAGING.
CAP IS TO BE CENTRALLY LOCATED ON PART.
9. TAPE AND REEL PACKAGING FOR 24mm WIDE AND BELOW HAVE PILOT HOLES ON ONE SIDE OF TAPE ONLY. SIZES ABOVE 24mm HAVE PILOT HOLES ON BOTH OF TAPE.
- ⑩ TAPE & REEL PACKAGING 24mm AND 32mm TAPE WIDTH, WITH 112mm POCKET PITCH.
11. MAXIMUM LENGTH OF CONNECTOR FOR TAPE AND REEL PACKAGING IS 2.50 LONG /63.5mm
- ⑫ PART NUMBER WITH SUFFIX "U" IS FOR SAWING PURPOSES ONLY.
13. STANDARD TUBE PACKAGE PER BUS-14-097/3.
- ⑭ TAPE & REEL PACKAGING 72mm TAPE WIDTH WITH 16mm POCKET PITCH.
- ⑮ ADD LF SUFFIX AT THE END OF PART NUMBER FOR LEAD FREE OPTION
16. THESE PRODUCTS MEETS EUROPEAN UNION DIRECTIVES AND OTHER COUNTRY REGULATION AS DESCRIBED IN GS-22-008.
- ⑰ "THIS PRODUCT HAS 100% TIN PLATING IN THE INTERFACE AND HAS NOT BEEN TESTED FOR WHISKER GROWTH IN ALL INTERCONNECT ENVIRONMENTS".



TAPE AND REEL PACKAGING
SEE NOTE 7

mat'l. code	surface	tolerance	projection	product family
AV	ISO 1302	ISO 406 ISO 1101		DUBOX
tr	ec	no	date	title
				SMT DOUBLE ROW VCC ASSEMBLY
		angles	linea	INCH/MM
		0°±2'	0.001±0.005/0.01±0.13	scale 1:1
			0.0004±0.0020/0.001±0.01	
	dr	J. SHREINER	11/07/90	FCI dwg no 68046 sheet 3 of 5 size A3
	en	M. HAHN	11/07/90	
	chr	M. HAHN	11/07/90	
	app	M. HAHN	11/07/90	
sheet	re	vis	ion	type
index	sheet			Product Customer Drawing

Contact us: sales@integrated-circuit.com Website: www.integrated-circuit.com

PRODUCT NUMBER	NO. OF POS.	C DIM	D DIM	TAPE & REEL PACKAGING	LF OPTION
68046-Y02	2 X 2	.100/2.540	.217/5.511	NO	NOTE 15
-Y03	2 X 3	.200/5.080	.317/8.051	NO	
-Y04	2 X 4	.300/7.620	.417/10.591	NO	
-Y05	2 X 5	.400/10.160	.517/13.131	NO	
-Y06	2 X 6	.500/12.700	.617/15.671	NO	
-Y07	2 X 7	.600/15.240	.717/18.211	NO	
-Y08	2 X 8	.700/17.780	.817/20.751	NO	
-Y09	2 X 9	.800/20.320	.917/23.291	NO	
-Y10	2 X 10	.900/22.860	1.017/25.831	NO	
-Y11	2 X 11	1.000/25.400	1.117/28.371	NO	
-Y12	2 X 12	1.100/27.940	1.217/30.911	NO	
-Y13	2 X 13	1.200/30.480	1.317/33.451	NO	
-Y14	2 X 14	1.300/33.020	1.417/35.991	NO	
-Y15	2 X 15	1.400/35.560	1.517/38.531	NO	
-Y16	2 X 16	1.500/38.100	1.617/41.071	NO	
-Y17	2 X 17	1.600/40.640	1.717/43.611	NO	
-Y18	2 X 18	1.700/43.180	1.817/46.151	NO	
-Y19	2 X 19	1.800/45.720	1.917/48.691	NO	
-Y20	2 X 20	1.900/48.260	2.017/51.231	NO	
-Y21	2 X 21	2.000/50.800	2.117/53.771	NO	
-Y22	2 X 22	2.100/53.340	2.217/56.311	NO	
-Y23	2 X 23	2.200/55.880	2.317/58.851	NO	
-Y24	2 X 24	2.300/58.420	2.417/61.391	NO	
68046-Y25	2 X 25	2.400/60.960	2.517/63.931	NO	

mat'l. code	surface	tolerance	projection	product family
AV	ISD 1302 ✓	ISO 406 ISO 1101		DUBOX
tr ecn n ddr date	tolerances unless otherwise specified			title
AV	angles	linea	INCH/MM	SMT DOUBLE ROW VCC ASSEMBLY
	0±2°	0.01/0.05/0.13 0.001/0.005/0.0125	scale 1:1	dwg no 68046
	dr J. SHREINER	11/07/90		shee# of 5 size A3
	engr M. HAHN	11/07/90		type Product Customer Drawing
	chr M. HAHN	11/07/90		
	appd M. HAHN	11/07/90		
sheet index	revision sheet			

Copyright FCI
FCIconnect.com



Distributor of FCI: Excellent Integrated System Limited

Datasheet of 68046-603 - Connector Receptacle 6 Position 0.100" (2.54mm) Gold or Gold, GXT Surface Mount

Contact: sales@integrated-circuit.com Website: www.integrated-circuit.com

PROD. NUMBER	NO. POSI.	C DIM	D DIM	TAPE & REEL PACKAGING	LF OPTION
68046-Y26	2 X 26	2.500/66.500	2.617/66.427	NO	
-Y27	2 X 27	2.600/66.040	2.717/69.011	NO	
-Y28	2 X 28	2.700/68.580	2.817/71.551	NO	
-Y29	2 X 29	2.800/71.120	2.917/74.091	NO	
-Y30	2 X 30	2.900/73.660	3.017/76.631	NO	
-Y31	2 X 31	3.000/76.200	3.117/79.171	NO	
-Y32	2 X 32	3.100/78.740	3.217/81.711	NO	
-Y33	2 X 33	3.200/81.280	3.317/84.251	NO	
-Y34	2 X 34	3.300/83.820	3.417/86.791	NO	
-Y35	2 X 35	3.400/86.360	3.517/89.331	NO	
-Y36	2 X 36	3.500/88.900	3.617/91.871	NO	
-Y37	2 X 37	3.600/91.440	3.717/94.411	NO	
-Y38	2 X 38	3.700/93.980	3.817/96.951	NO	
-Y39	2 X 39	3.800/96.520	3.917/99.491	NO	
-Y40	2 X 40	3.900/99.060	4.017/102.031	NO	
-Y41	2 X 41	4.000/101.600	4.117/104.571	NO	
-Y42	2 X 42	4.100/104.140	4.217/107.111	NO	
-Y43	2 X 43	4.200/106.680	4.317/109.651	NO	
-Y44	2 X 44	4.300/109.220	4.417/112.191	NO	
-Y45	2 X 45	4.400/111.760	4.517/114.731	NO	
-Y46	2 X 46	4.500/114.300	4.617/117.271	NO	
-Y47	2 X 47	4.600/116.840	4.717/119.811	NO	
-Y48	2 X 48	4.700/119.380	4.817/122.351	NO	
-Y49	2 X 49	4.800/121.920	4.917/124.891	NO	
-Y50	2 X 50	4.900/124.460	5.017/127.431	NO	
-Y50U	2 X 50	4.900/124.460	5.017/127.431	NO	
-Y03P	2 X 3	0.200/5.080	0.317/8.051	YES	
-Y04P	2 X 4	0.300/7.620	0.417/10.592	YES	
-Y05P	2 X 5	0.400/10.160	0.517/13.131	YES	
68046-Y06P	2 X 6	0.500/12.700	0.617/15.671	YES	
68046-Y07P	2 X 7	0.600/15.240	0.717/18.211	YES	
68046-Y12P	2 X 12	1.100/27.94	1.217/30.91	YES	
68046-Y13P	2 X 13	1.200/30.48	1.317/33.45	YES	
68046-Y20P	2 X 20	1.900/48.260	2.017/51.231	YES	

NOTE 15

NOTE 12
 NOTE 6 & 9
 NOTE 6 & 10
 NOTE 6 & 10
 NOTE 6 & 10
 NOTE 6 & 10
 NOTE 6 & 9 - OBSOLETE
 NOTE 6 & 14
 NOTE 6 & 14

mat'l. code	surface	tolerance	projection	product family
AV	ISO 1302	ISO 406		DUBOX
tr	ecn	ndr	date	title
				SMT DOUBLE ROW VCC ASSEMBLY
angles	linea	scale	INCH/MM	dwg no
0±2°	XXXX.005/XXX.13	XXXX.000/XXX.05	scale 1:1	68046
dr	J. SHREINER	11/07/90		shee 5 of 5 size
engr	M. HAHN	11/07/90		A3
chr	M. HAHN	11/07/90		
appd	M. HAHN	11/07/90		
sheet index	revision sheet			type Product Customer Drawing