

## Excellent Integrated System Limited

Stocking Distributor

Click to view price, real time Inventory, Delivery & Lifecycle Information:

[FCI](#)  
[51760-10810008AB](#)

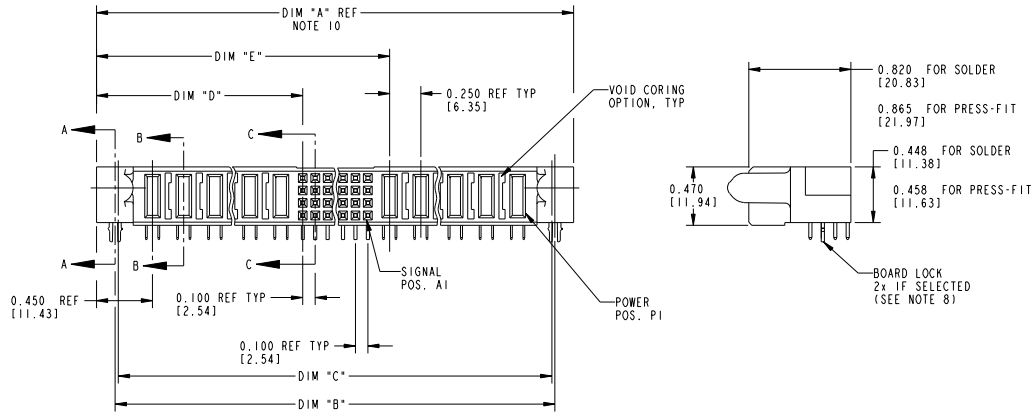
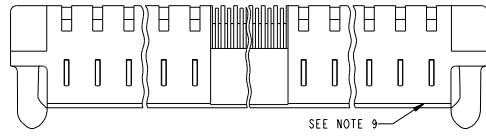
For any questions, you can email us directly:  
[sales@integrated-circuit.com](mailto:sales@integrated-circuit.com)

Tous droits strictement réservés. Reproduction ou communication, en tout ou en partie, sans autorisation écrite du propriétaire. Propriété de FCI. Droits de reproduction FCI.



All rights strictly reserved. Reproduction or issue in any form without written authority from the proprietor. Property of FCI. Copyright FCI.

PRODUCT NUMBER  
51760- ABBCDDDEF...  
Note: ③  
SEE NOTE 1



mat'l code SEE NOTE 2				tolerances unless otherwise specified		CUSTOMER COPY		www.fciconnect.com	
ltr	ecn no.	dr	date	linear	.XX±.01 / .XX±.3	projection	RIGHT ANGLE RECEPTACLE w/GUIDE PIN POWER / SIGNAL / POWER		
K	D605-0124	SJ	06/03/05		.XXX±.005 / .XX±.13		product family PwrBlade code 213		
L	D605-0485	GuoJM	11/21/05		.XXX±.0020 / .XX±.051		size dwg no 51760 SHEET 1 OF 3		
M	D607-0498	JW	05/23/08	angles	0°±2°	INCH / MM	scale 1:1		
				dr	D. BOGLE 05-18-99		cage code 22526		
				enrg	J. BROWN 05-18-99		SHEET 1 OF 3		
				chr	J. BROWN 05-18-99				
				oppd	J. BROWN 05-18-99				
sheet index	revision sheet	M	M	M					
		1	2	3					

THIS FILE WAS ORIGINALLY CREATED IN THE PRO ENGINEER ENVIRONMENT AND ANY FUTURE REVISIONS TO THIS FILE MUST BE MADE IN THE PRO ENGINEER ENVIRONMENT

form no. 7530-001-103

Tous droits strictement réservés. Reproduction ou communication de ces lignes sans autorisation écrite du propriétaire. Property of FCI. Copyright FCI.



All rights strictly reserved. Reproduction or communication of these lines without written authority from the proprietor. Property of FCI. Copyright FCI.

PRODUCT NUMBER	DIM	LENGTH FORMULAS (SEE NOTE 10)
51760-ABBCCDDEF- Note: ③	DIM "A"	.250 [6.35] x DD + .100 [2.54] x (CCC/4) + .250 [6.35] x BB + .650 [16.51] (NOTE 10)
SEE NOTE 1	DIM "B"	.250 [6.35] x DD + .100 [2.54] x (CCC/4) + .250 [6.35] x BB + .350 [8.89]
	DIM "C"	.250 [6.35] x DD + .100 [2.54] x (CCC/4) + .250 [6.35] x BB + .300 [7.62]
	DIM "D"	.250 [6.35] x DD + .375 [9.35]
	DIM "E"	.250 [6.35] x DD + .100 [2.54] x (CCC/4) + .450 [11.43]
	DIM "F"	.250 [6.35] x DD + .100 [2.54] x (CCC/4) + .250 [6.35] x BB + .680 [17.27]
	DIM "G"	.250 [6.35] x DD + .225 [5.72]
	DIM "H"	.250 [6.35] x DD + .100 [2.54] x (CCC/4) + .250 [6.35]

**CONNECTOR NOTES**

① PRODUCT NUMBER CODE:  
51760 - A BB CCC DD E F LF

- NO THIS SUFFIX: 100µ"/2.54mm SnPb ON PCB INTERFACE
- ADD THIS SUFFIX: 78µ"/2.00mm Sn OR 5µ" Au ON PCB INTERFACE
- RETENTION TO PCB (NOTE 8)
- TAIL OPTIONS (NOTE 7)
- NUMBER OF LEFT END POWER CONTACTS (NOTE 6)
- NUMBER OF SIGNAL CONTACTS (NOTE 5)
- NUMBER OF RIGHT POWER CONTACTS (NOTE 4)
- PLATING (NOTE 3)
- BASE NUMBER

B = .150 [3.81] THRU HOLE (REQUIRES .158 ±0.003 [4.01 ±0.08] THRU HOLE IN PCB).  
MOUNTING FOOT HEIGHT  
[16.014.06]

- ⑨ MANUFACTURE'S NAME, P/N, AND DATE CODE TO APPEAR ON THIS SURFACE.
- ⑩ THE MAXIMUM OVERALL LENGTH (DIM A) OF A PART IS 8.00 [203.2]
- ⑪ PRODUCT SPECIFICATION GS-12-149
- ⑫ APPLICATION SPECIFICATION BUS-20-067.
- ⑬ FOR PRESS-FIT CONNECTORS USE FCI CAM TOOL 430140-XXX TO APPLY CONNECTOR TO PCB.

**PCB NOTES:**

- 14. ALL DIMENSIONS ARE BASIC UNLESS OTHERWISE SPECIFIED.
- 15. ALL THROUGH HOLES ARE LOCATED WITH A TRUE POSITION OF .004(0.10)
- 16. ALL HOLE DIAMETERS ARE FINISHED HOLE SIZE.
- ⑬ ∅0.0453 ±.001 [1.151 ±0.02] DRILLED HOLES PLATED WITH 0.0003 [0.007] MIN SnPb OVER 0.001 [1.03] TO .003 [0.08] PLATING TO ACHIEVE A .040±.003 [1.02±0.08] HOLE.

18. THE VOID CORING IN BETWEEN POWER MODULES, SIGNAL MODULES AND END MODULES ARE OPTIONAL AND THE SHAPE MAY BE DIFFERENT FOR OPTIMIZING THE MOLDING PROCESS. THE VOID CORING WILL NOT EFFECT TO PRODUCT FUNCTION.

19. A Δ SYMBOL WILL BE NEXT TO ANY DIMENSION, VIEW, OR NOTE WHICH HAS BEEN MODIFIED WITH THE CURRENT DRAWING REVISION.

- ② HOUSING MATERIAL: GLASS FILLED V-0 HIGH TEMP THERMO PLASTIC.  
SIGNAL CONTACT MATERIAL: COPPER ALLOY  
POWER CONTACT MATERIAL: COPPER ALLOY
- ③ PLATING OPTION:  
Δ1: SEE IN PRINT 10064183 FOR PLATING SPEC OF 51760-ABBCCDDEF; 51760-ABBCCDDEF LF
- ④ RIGHT END POWER CONTACTS, 01 TO 20 AVAILABLE.  
MAXIMUM OF 20 POWER CONTACTS PER CONNECTOR
- ⑤ SIGNAL CONTACTS, 004 TO 148 AVAILABLE FOR SOLDER TO BOARD.  
020 TO 148 AVAILABLE FOR PRESS-FIT TO BOARD.
- ⑥ LEFT END POWER CONTACTS, 01 TO 20 AVAILABLE.  
MAXIMUM OF 20 POWER CONTACTS PER CONNECTOR
- ⑦ TAIL OPTIONS:  
A = .135 ±.010 [3.43 ±.25] SOLDER TO BOARD  
B = .090 ±.005 / -.010 [2.29 ±0.13 / -.25] SOLDER TO BOARD  
C = .154 ±.010 [3.91 ±0.25] PRESS-FIT TO BOARD
- ⑧ RETENTION TO PCB OPTIONS:  
A = BOARD LOCK (REQUIRES .098 ±.002 / -.001 [2.49 ±0.051/-0.05] THRU HOLE IN PCB MOUNTING FOOT HEIGHT: .220[5.58])  
\*\*NOT AVAILABLE FOR PRESS-FIT\*\*

THIS FILE WAS ORIGINALLY CREATED IN THE PRO ENGINEER ENVIRONMENT AND ANY FUTURE REVISIONS TO THIS FILE MUST BE MADE IN THE PRO ENGINEER ENVIRONMENT

form no. 7530-001-103

mat'l code				tolerances unless otherwise specified		CUSTOMER COPY		FCI	
lfr	ecn no.	dr	date	.xx±.01 / .xx±.3	linear	.xxx±.005 / .xx±.13	projection	www.fciconnect.com	
M				angles		.xxx±.0020 / .xxx±.051	INCH / MM	RIGHT ANGLE RECEPTACLE w/GUIDE PIN POWER / SIGNAL / POWER	
				dr	D. BOGLE	05-18-99	product family	PwrBlade	code 213
				engr	J. BROWN	05-18-99	size	dwg no	51760
				chr	J. BROWN	05-18-99	scale	1:2	SHEET 2 OF 3
				oppd	J. BROWN	05-18-99			
sheet index	revision sheet								

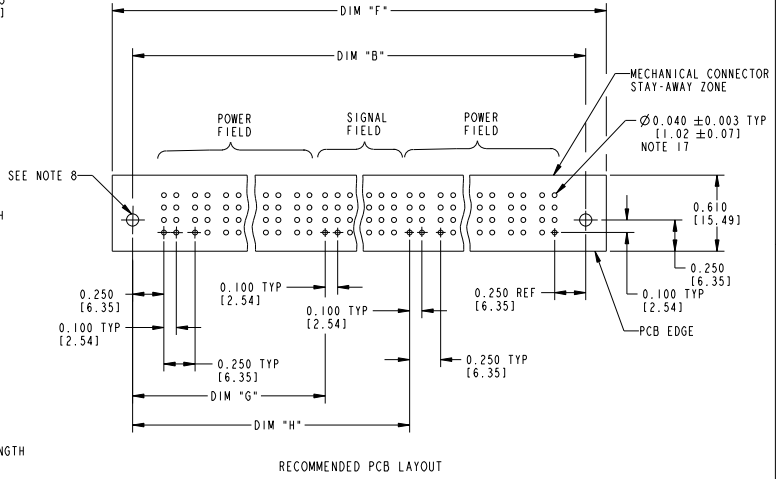
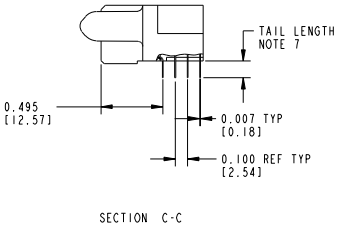
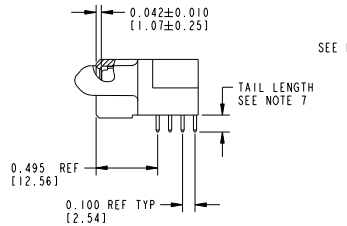
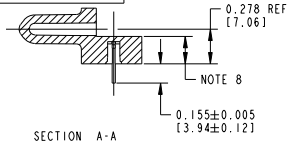
cage code 22526

Tous droits strictement réservés. Reproduction ou communication, en tout ou en partie, sans autorisation écrite de FCI. Propriété de FCI. Droits de reproduction FCI.



All rights strictly reserved. Reproduction or issue, in part or whole, without written authority from the proprietor. Property of FCI. Copyright FCI.

PRODUCT NUMBER  
 51760 - ABBCCDDEF --  
 Note: (3)  
 SEE NOTE 1



material code				tolerances unless otherwise specified		CUSTOMER COPY		www.fciconnect.com	
ltr	ecn no.	dr	date	linear	.xx±.01 / .xx±.3	projection	 RIGHT ANGLE RECEPTACLE w/GUIDE PIN POWER / SIGNAL / POWER	product family PwrBlade code 213	
M				angles	.xxx±.005 / .xx±.13	 1st ANGLE		size	dwg no 51760
				dr	D. BOGLE 05-18-99	INCH / MM	A		
				enr	J. BROWN 05-18-99	scale	1:1		
				chr	J. BROWN 05-18-99				
				oppd	J. BROWN 05-18-99				
sheet index	revision sheet							cage code 22526	

form no. 7530-001-103