



Excellent Integrated System Limited

Stocking Distributor

Click to view price, real time Inventory, Delivery & Lifecycle Information:

[FCI](#)
[54242-807-28-0950](tel:54242-807-28-0950)

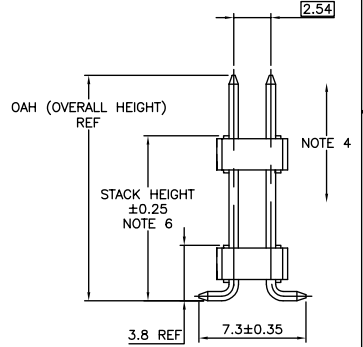
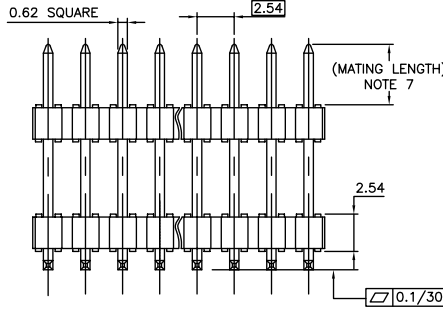
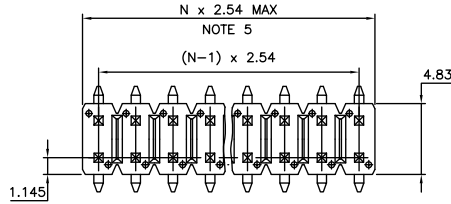
For any questions, you can email us directly:
sales@integrated-circuit.com

RoHS COMPATIBLE PRODUCT NUMBER
54242-XXXXXXXLFL

- PLATING**
- 1 = 0.76µm GOLD/GXT ON CONTACT AREA
2µm MIN MATTE TIN ON TAIL
OVER 1.27µm Ni MIN
 - 4 = 2µm MIN MATTE TIN
OVER 1.27µm Ni MIN
 - 5 = 0.25µm GOLD/GXT ON CONTACT AREA
2µm MIN MATTE TIN ON TAIL
OVER 1.27µm Ni MIN
 - 8 = 0.38µm GOLD/GXT ON CONTACT AREA
2µm MIN MATTE TIN ON TAIL
OVER 1.27µm Ni MIN

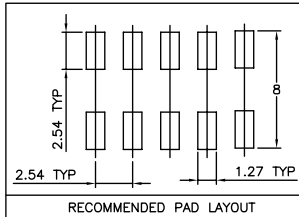
- RoHS COMPATIBLE
SEE NOTE 8
- STACK HEIGHT
NOTE 6
- TOTAL NB OF POSITIONS
04 TO 50

PIN STYLE	OAH
01	10.42
02	11.72
03	14.12
04	14.98
05	15.87
06	17.13
07	19.18
08	21.72
09	24.26
10	26.8
11	29.34
12	31.88
13	32.22
14	32.64
15	34.42
16	34.42
18	26.22
19	20.62
20	28.70
21	30.37
22	35.52
23	36.62
24	40.52
25	41.22
26	45.22
27	50.22
28	18.72
29	43.00



- NOTES:**
- HOUSING MAT'L : HIGH TEMPERATURE THERMOPLASTIC. UL94V-0 COLOR: BLACK
 - PIN MATERIAL : PHOSPHOR BRONZE
 - STANDARD PACKAGING IN POLYBAG
 - 9N MIN RETENTION IN EITHER DIRECTION
 - TO DETERMINE DIMENSIONS :
N = NUMBER OF POSITIONS PER ROW
EX: 8 POS PER ROW, N x 2.54 = 20.32mm
 - XXXX = MILLIMETERS
SPECIFY MILLIMETERS
9.5mm MIN TO 26.0mm MAX AVAILABLE
IN 0.5mm INCREMENT
EXAMPLE FOR STACK HEIGHT: 1 2 5 0 = 12.5mm
 - MATING LENGTH = (OAH)-(STACK HEIGHT)

- 8. RoHS COMPATIBLE PRODUCT SPECIFICATIONS**
- a - **PLATING:**
 - "LF" MEANS THE PRODUCT IS LEAD-FREE, 2µm MINIMUM MATTE TIN OVER 1.27µm MINIMUM NICKEL UNDERPLATE.
 - b - **MANUFACTURING PROCESS COMPATIBILITY**
 - c - **LABELLING:**
 - MEETS PACKAGING SPECS AS PER GS-14-920
 - d - THIS PRODUCT MEETS EUROPEAN UNION DIRECTIVES AND OTHER COUNTRY REGULATIONS AS DESCRIBED IN GS-47-0004



mat'l. code	surface	tolerance	projection	product family
SEE NOTES	ISO 1302 ✓	ISO 446 ISO 1101	mm	BERGSTIK
ltr	ecn no	dr	date	title
H	B-17848	LMU	14.06.05	UNSHR.HEADER
J	B-18962	LMU	14.09.29	STR DR SMT
K	B-19782	AMA	14.12.16	dwg no
L	B-20301	BVE	15.02.23	54242
M	F-21721	LMU	15.08.19	sheet 1 of 1 size
G	F08-0148	RTR	08.03.31	A3
sheet index	revision	sheet		type
				CUSTOMER Drawing

FCIconnect.com
Copyright FCI