

Excellent Integrated System Limited

Stocking Distributor

Click to view price, real time Inventory, Delivery & Lifecycle Information:

[FCI](#)
[51784-002](#)

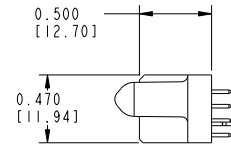
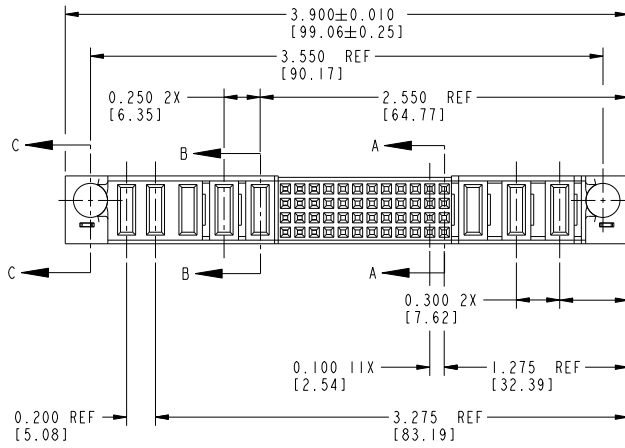
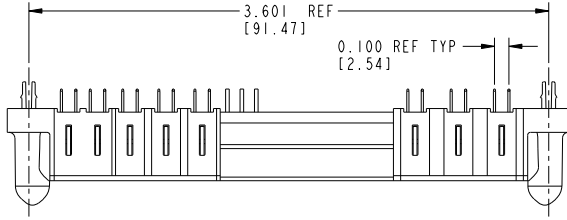
For any questions, you can email us directly:
sales@integrated-circuit.com

Tous droits strictement réservés. Reproduction ou communication à des tiers interdite sans que la forme que ce soit sans autorisation écrite du propriétaire. Propriété de c FCI. Droits de reproduction FCI.



All rights strictly reserved. Reproduction or issue to third parties in any form whatsoever is not permitted without written authority from the proprietor. Property of FCI. Copyright FCI.

PRODUCT No.	ROWS	POWER					SIGNAL											POWER					
		E2	P8	P7	P6	P5	P4	12	11	10	9	8	7	6	5	4	3	2	1	P3	P2	P1	E1
51784-002- NOTE: ③	D C B A	HA	PA	PA	PA	PD	PD	E	E	E	X	X	X	X	X	X	X	X	X	PD	PD	PA	HA



CODE	DIM "M" ±.010 [0.25]	CONTACT TYPE
PA	0.042 [1.07]	POWER
PD	0.092 [2.34]	POWER
HA	N/A [N/A]	HOLD-DOWN
E	N/A [N/A]	SIGNAL
X	OMITTED	OMITTED

mat'l code				SEE NOTES		tolerances unless otherwise specified	
ltr	ech no.	dr	date	linear	.XX±.01/0.X±0.3	projection	0°±°
A	V12259	JRW	9/28/01	angles	.XXX±.005/0.XX±0.13	INCH/MM	1:1
B	D605-0217	SJ	07/11/05	dr	.XXX±.0020/.XXX±.051	scale	
C	D608-0251	W D	09/15/08	enr			
				chr	J. ALLISON 9/28/01		
				appd	J. ALLISON 9/28/01		
sheet index	revision sheet	1	2	3			

CUSTOMER		FCI	
COPY		www.fciconnect.com	
title		3ACP + 48S + 5P	
VERTICAL SOLDERTAIL RECEPTACLE		product family PwrBlade	
code		213	
product family		size	
dwg no		51784-002	
sheet		1 of 3	

1 | 2

Pro/E

PDM: Rev: C

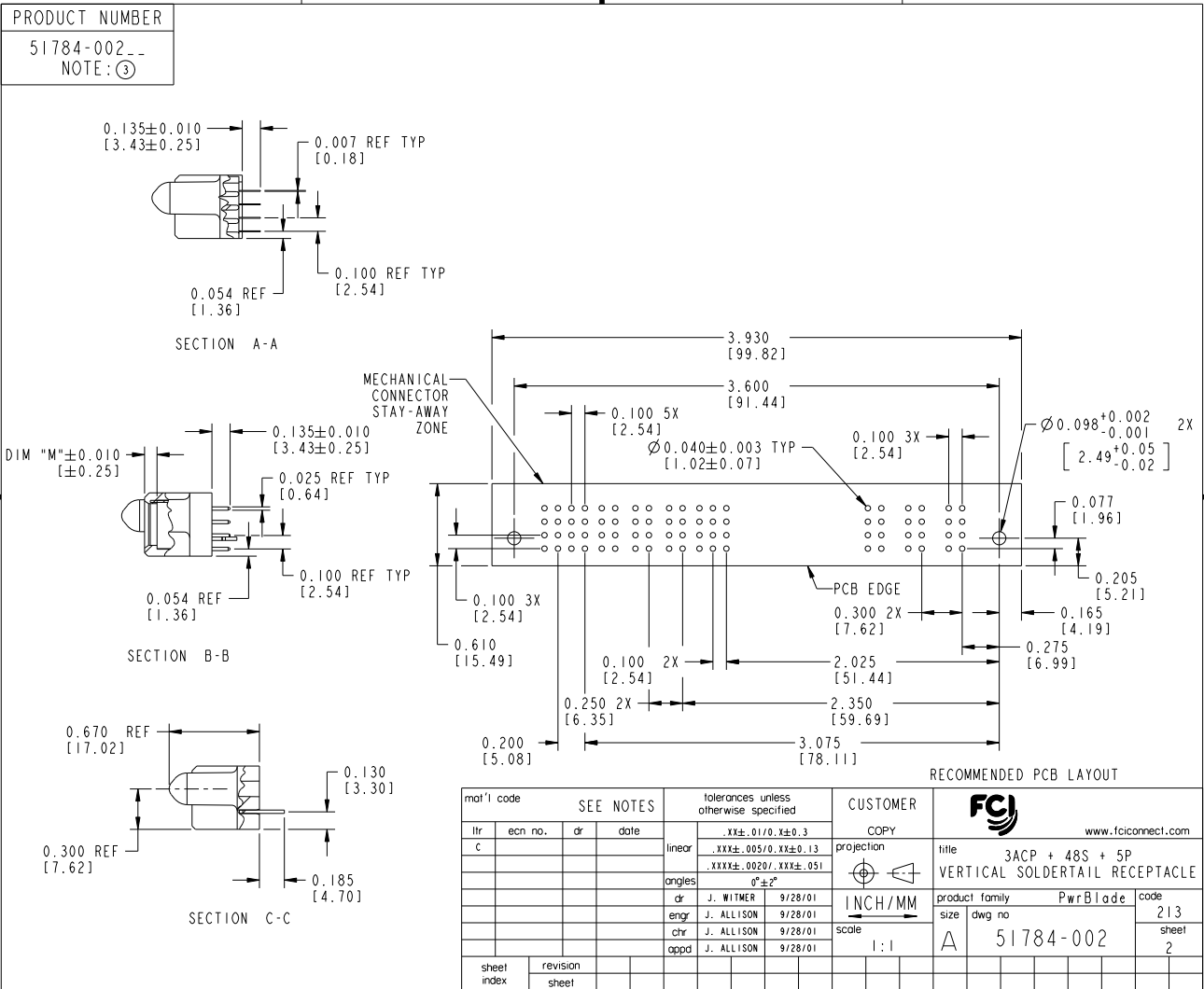
STATUS: Released

Printed: Dec 20, 2010

Tous droits strictement réservés. Reproduction ou communication à des tiers interdite sous quelque forme que ce soit sans autorisation écrite du propriétaire. Propriété de c FCI. Droits de reproduction FCI.



All rights strictly reserved. Reproduction or issue to third parties in any form whatsoever is not permitted without written authority from the proprietor. Property of FCI. Copyright FCI.



mat'l code				SEE NOTES		tolerances unless otherwise specified		CUSTOMER	
ltr	ecn no.	dr	date	linear	.XX±.01/0.X±0.3	projection	COPY		
C				angles	.XXX±.005/0.XX±0.13		www.fciconnect.com		
				dr	.XXX±.0020/.XXX±.051		title 3ACP + 48S + 5P		
				enr	0°±0°	INCH/MM	product family PwrBlade code 213		
				chr	J. ALLISON 9/28/01	scale 1:1	size dwg no 51784-002 sheet 2		
				appd	J. ALLISON 9/28/01		code 22526		
sheet index	revision sheet								

1 | 2

3 |

4

Pro/E

PDM: Rev: C

STATUS: **Released**

Printed: Dec 20, 2010

Tous droits strictement réservés. Reproduction ou communication à des tiers interdite sans aucune forme que ce soit sans autorisation écrite du propriétaire. Propriété de c FCI. Droits de reproduction FCI.



All rights strictly reserved. Reproduction or issue to third parties in any form whatsoever is not permitted without written authority from the proprietor. Property of FCI. Copyright FCI.

1 | 2

3 |

4

PRODUCT NUMBER
 51784-002--
 NOTE: ③

CONNECTOR NOTES:

1. HOUSING MATERIAL: UL 94 V-0 GLASS FILLED HIGH TEMP THERMOPLASTIC
 POWER CONTACT MATERIAL: COPPER ALLOY
 SIGNAL CONTACT MATERIAL: COPPER ALLOY
2. "MANUFACTURER" NAME, P/N, AND DATE CODE TO APPEAR ON THIS SURFACE
- ③. SEE ITEM 5 & 6 IN PRINT 10064183 FOR PLATING SPEC OF 51784-002 AND 51784-002LF RESPECTIVELY.
4. PRODUCT SPECIFICATION GS-12-149

PCB NOTES:

5. ALL DIMENSIONS ARE BASIC UNLESS OTHERWISE SPECIFIED.
6. ALL THROUGH HOLES ARE LOCATED WITH A TRUE POSITION OF 0.004 [0.10]
7. ALL HOLE DIAMETERS ARE FINISHED HOLE SIZE
8. Ø0.098 THROUGH HOLES ARE UNPLATED.
9. Ø0.0453±0.0010 [1.151±0.025] DRILLED HOLES PLATED WITH 0.0003 [0.008] MIN SnPb OVER 0.001 [0.03] TO 0.003 [0.08] Cu PLATING TO ACHIEVE A Ø0.040 HOLE.
10. A/C SYMBOL WILL BE NEXT TO ANY DIMENSION, VIEW, OR NOTE WHICH HAS BEEN MODIFIED WITH THE CURRENT DRAWING REVISION.

CONFIDENTIAL

mat'l code		NOTES		tolerances unless otherwise specified		CUSTOMER		FCI	
ltr	ecn no.	dr	date	linear	.XX±.01/0.X±0.3	projection	COPY	www.fciconnect.com	
C				angles	.XXX±.005/0.XX±0.13			title 3ACP + 48S + 5P	
				dr	.XXXX±.0020/.XXX±.051			VERTICAL SOLDER TAIL RECEPTACLE	
				enr	0°±2°	INCH/MM		product family PwrBlade code 213	
				chr	J. WITMER 9/28/01	scale		size 51784-002 sheet 3	
				appd	J. ALLISON 9/28/01	1:1			
sheet index	revision sheet								

1 | 2

Pro/E

PDM: Rev: C

STATUS: **Released**

Printed: Dec 20, 2010