

Excellent Integrated System Limited

Stocking Distributor

Click to view price, real time Inventory, Delivery & Lifecycle Information:

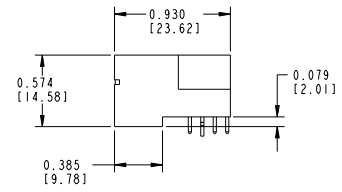
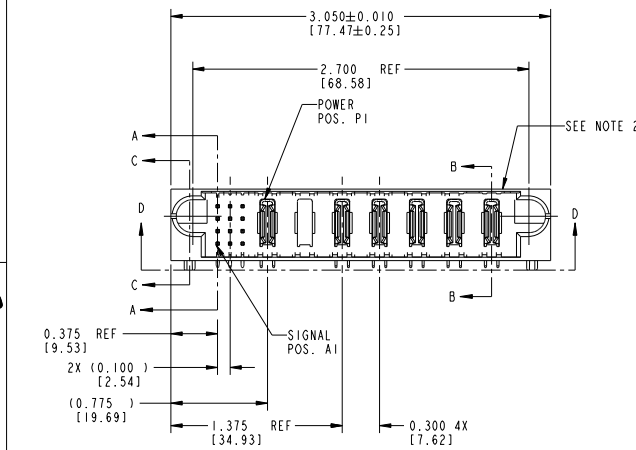
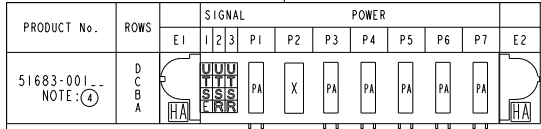
[FCI](#)
[51683-001](#)

For any questions, you can email us directly:
sales@integrated-circuit.com

Tous droits strictement réservés. Reproduction ou communication, en des lieux interdite sans aucune forme que ce soit sans autorisation écrite du propriétaire. Propriété de c FCI. Droits de reproduction FCI.



All rights strictly reserved. Reproduction or issue in any form wherever is not permitted without written authority from the proprietor. Property of FCI. Copyright FCI.



CODE	DIM "M" MATING LENGTH	CONTACT TYPE
PA	N/A [N/A]	POWER
E	0.220 [5.59]	SIGNAL
S	0.270 [6.86]	SIGNAL
T	0.270 [6.86]	SIGNAL
U	0.270 [6.86]	SIGNAL
R	0.270 [6.86]	SIGNAL
HA	N/A [N/A]	HOLD-DOWN
X	OMMITTED	N/A

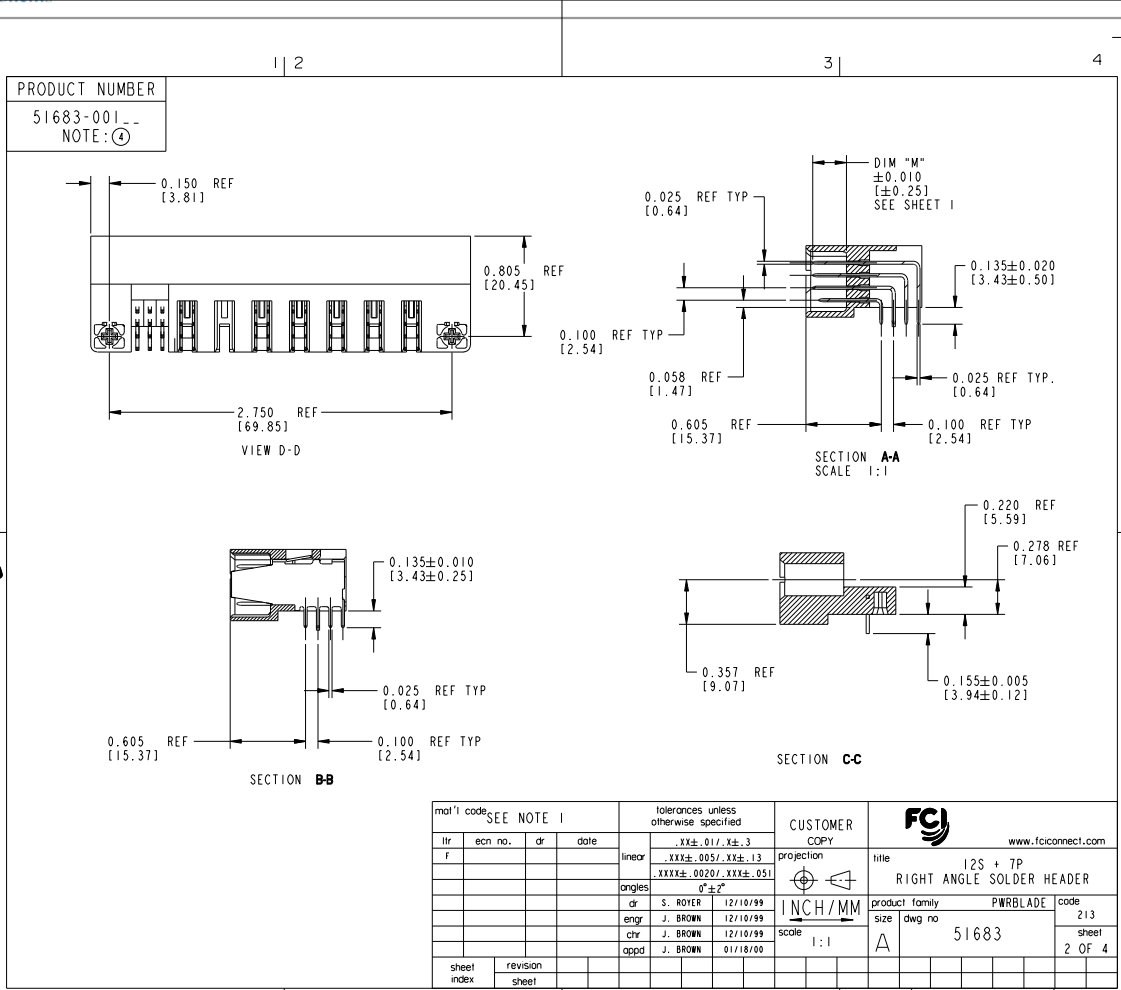
mat'l code		SEE NOTES		tolerances unless otherwise specified		CUSTOMER COPY		FCI	
ltr	ecm no.	dr	date	linear	.XX±.01/0.XX±0.3	projection	title	www.fciconnect.com	
A	V02392	JRW	10-10-00		.XXX±.005/0.XX±0.13	⊕	12S + 7P		
B	V12544	DAI	02/20/02		.XXXX±.0020/0.XXX±.051		RIGHT ANGLE SOLDER HEADER		
C	V03-0571	TAB	05/28/03	angles	0±2°	INCH/MM	product family	PWRBLADE	code
D	DG05-0288	CS	08/18/05	dr	S. ROYER	12/10/99	size	dwg no	213
E	2606-0011	CS	01/09/06	enrg	J. BROWN	12/10/99	scale	51683	sheet
F	2608-0253	SH	09/12/08	chr	J. BROWN	12/10/99	1:1		1 of 4
		oppd		J	J. BROWN	01/18/00			
sheet index	revision	F	F	F	F				
	sheet	1	2	3	4				

code code 22526

Tous droits strictement réservés. Reproduction ou communication de ces lignes interdite sans aucune forme que ce soit sans autorisation écrite du propriétaire. Propriété de c FCI. Droits de reproduction FCI.



All rights strictly reserved. Reproduction or issue in third parties in any form whatever is not permitted without written authority from the proprietor. Property of FCI. Copyright FCI.

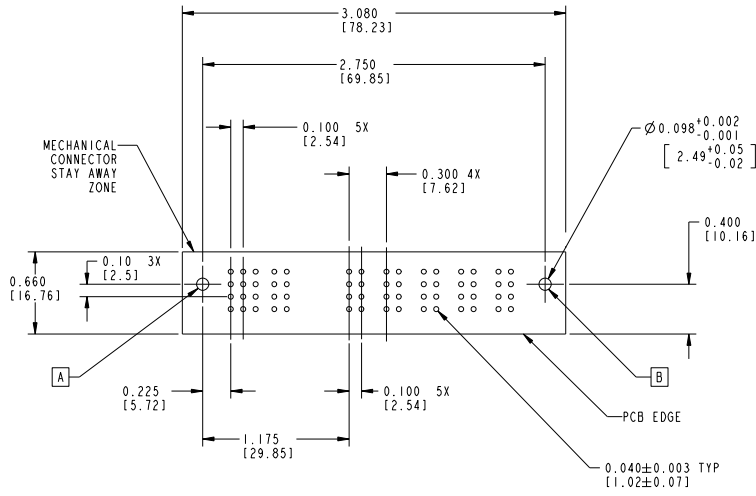


mat'l code		SEE NOTE 1		tolerances unless otherwise specified		CUSTOMER COPY		FCI		www.fciconnect.com	
ltr	ecm no.	dr	date	linear	.xx±.01/.xx±.3	projection	title	12S + 7P			
f				angles	.xxx±.005/.xx±.13		RIGHT ANGLE SOLDER HEADER				
				dr	.xxx±.0020/.xxx±.051	INCH/MM	product family	PWRBLADE		code 213	
				enrg	0°±2°	scale	size	51683		sheet 2 OF 4	
				chr	S. ROYER 12/10/99	1:1	dwg no				
				oppd	J. BROWN 12/10/99						
sheet index	revision sheet				J. BROWN 01/18/00						

Tous droits strictement réservés. Reproduction ou communication de ces lignes interdite sans autorisation écrite du propriétaire. Propriété de FCI. Droits de reproduction FCI.

All rights strictly reserved. Reproduction or issue in any form without written authority from the proprietor. Property of FCI. Copyright FCI.

PRODUCT NUMBER
51683-001 -
NOTE: ④



RECOMMENDED PCB LAYOUT

mat'l code		SEE NOTES		tolerances unless otherwise specified		CUSTOMER COPY		FCI	
ltr	ecm no.	dr	date	linear	.xx±.01 / .xx±.3	projection	title	www.fciconnect.com	
f				angles	.xxx±.005 / .xx±.13		12S + 7P		
				dr	.xxx±.0020 / .xxx±.051		RIGHT ANGLE SOLDER HEADER		
				enrg	0°±2°	scale	product family	PWRBLADE	code
				chr	S. ROYER 12/10/99	1:1	size	dwg no	213
				oppd	J. BROWN 12/10/99		51683	sheet	3 OF 4
sheet index	revision sheet				J. BROWN 01/18/00				

Pro/E

cage code 22526

Tous droits strictement réservés. Reproduction ou communication, en des lieux interdite sans aucune forme que ce soit sans autorisation écrite du propriétaire. Propriété de c FCI. Droits de reproduction FCI.

All rights strictly reserved. Reproduction or issue in any form wherever is not permitted without written authority from the proprietor. Property of FCI. Copyright FCI.

PRODUCT NUMBER
51683-001
NOTE: ④

CONNECTORS NOTES:

- ① HOUSING MATERIAL: UL 94 V-0 GLASS FILLED HIGH TEMP THERMO PLASTIC
SIGNAL PIN MATERIAL: COPPER ALLOY
POWER CONTACT MATERIAL: COPPER ALLOY
- ② "MANUFACTURER" NAME, P/N, AND DATE CODE TO APPEAR ON THIS SURFACE
- 3. PRODUCT SPECIFICATION GS-12-149
- ④ PLATING:
SEE ITEM 1 & 2 IN PRINT 10064183 FOR PLATING SPEC OF 51683 AND 51683LF RESPECTIVELY

PCB NOTES:

- 5. ALL DIMENSIONS ARE BASIC UNLESS OTHERWISE SPECIFIED.
- 6. ALL THROUGH HOLES ARE LOCATED WITH A TRUE POSITION OF .004
- 7. ALL HOLE DIAMETERS ARE FINISHED HOLE SIZE
- 8. $\varnothing 0.098$ THROUGH HOLES ARE UNPLATED
- 9. $\varnothing .0453/1.151$ DRILLED HOLES
PLATED WITH .0003/.007 MIN SnPb
OVER .001/1.03 to .003/.08 PLATING TO ACHIEVE
A .040±.003/1.02±.08 HOLE

mat'l code		SEE NOTES		tolerances unless otherwise specified		CUSTOMER	
ltr	ecm no.	dr	date	linear	.XX±.01/.XX±.3	projection	www.fciconnect.com
F				linear	.XXX±.005/.XX±.13	projection	title 12S + 7P
				angles	XXX±.0020/.XX±.051	projection	RIGHT ANGLE SOLDER HEADER
				dr	0°±2°	INCH/MM	product family PWRBLADE
				dr	S. ROYER 12/10/99	scale	code 213
				enrg	J. BROWN 12/10/99	scale	sheet 4 of 4
				chr	J. BROWN 12/10/99	scale	size 51683
				oppd	J. BROWN 01/18/00	scale	code 22526
sheet index	revision sheet						