

Excellent Integrated System Limited

Stocking Distributor

Click to view price, real time Inventory, Delivery & Lifecycle Information:

[FCI](#)
[51939-087](#)

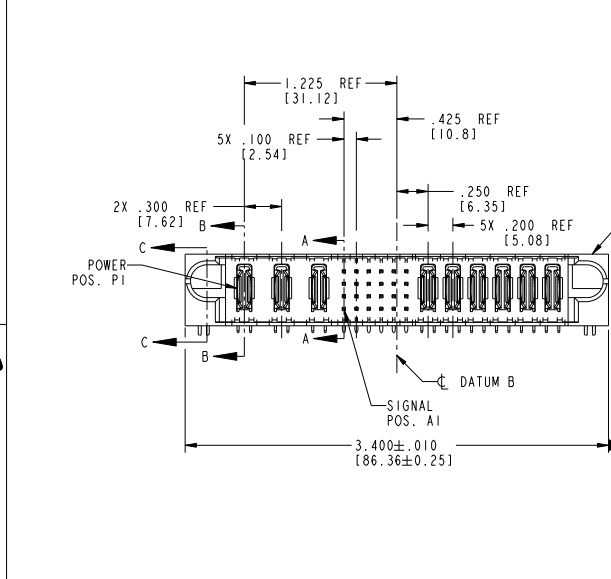
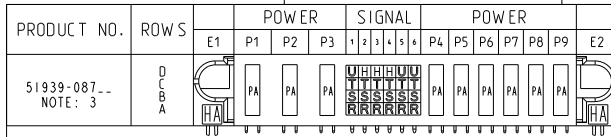
For any questions, you can email us directly:

sales@integrated-circuit.com

Tous droits strictement réservés. Reproduction ou communication, en des lieux interdites sans autorisation écrite du propriétaire. Propriété de FCI. Droits de reproduction FCI.



All rights strictly reserved. Reproduction or issue in any form without written authority from the proprietor. Property of FCI. Copyright FCI.



CODE	DIM "M" MATING LENGTH	CONTACT TYPE
H	.220 [5.59]	SIGNAL
R	.270 [6.86]	SIGNAL
S	.270 [6.86]	SIGNAL
T	.270 [6.86]	SIGNAL
U	.270 [6.86]	SIGNAL
PA	N/A [N/A]	POWER
HA	N/A [N/A]	HOLD-DOWN

mat'l code		SEE NOTE 2		tolerances unless otherwise specified	
ltr	ecn no.	dr	date	linear	XX±.01/0.XX±0.3
A	V03-1149	TAB	10/24/03	linear	XXX±.005/0.XX±0.13
B	V03-1223	TAB	11/14/03	linear	XXX±.0020/0.XX±0.051
C	DG06-0014	JMG	01/13/06	angles	0°±
D	DG09-0003	WD	01/17/09	dr	T. BRUNGARD 10/24/03
				enr	M. GRAY 10/24/03
				chr	M. GRAY 10/24/03
				oppd	M. GRAY 10/24/03
sheet index	revision sheet	D	D	D	D
		1	2	3	4

CUSTOMER		FCI	
COPY		www.fciconnect.com	
projection		title	
INCH/MM		3ACP + 24S + 6P	
scale 1:1		RIGHT ANGLE SOLDER HEADER	
		product family PwrBlade code	
		size dwg no 51939-087 213	
		sheet 1 of 4	

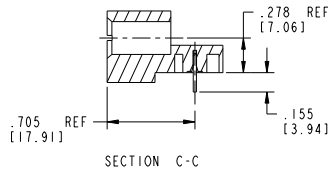
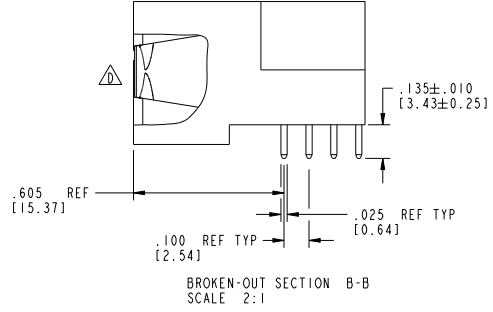
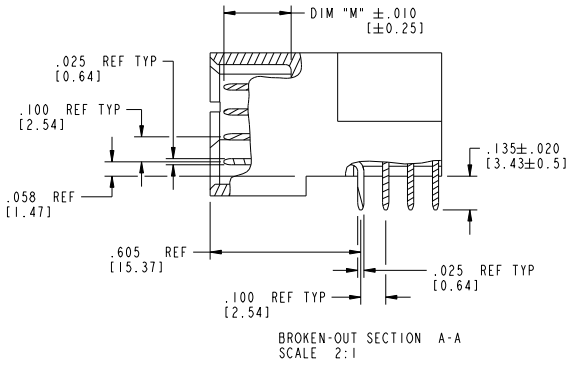
Pro/E 3 cage code 22526 4

Tous droits strictement réservés. Reproduction ou communication, en des lieux interdite sans autorisation écrite du propriétaire. Propriété de c FCI. Droits de reproduction FCI.



All rights strictly reserved. Reproduction or issue in third parties in any form without written authority from the proprietor. Property of FCI. Copyright FCI.

PRODUCT NUMBER
51939-087...
NOTE: 3



mat'l code		SEE NOTE 2	tolerances unless otherwise specified		CUSTOMER	FCI		www.fciconnect.com	
ltr	ecm no.	dr	date	linear	projection	title			
D				linear	projection	3ACP + 24S + 6P			
				linear	projection	RIGHT ANGLE SOLDER HEADER			
				angles	projection	product family PwrBlade code			
				dr	projection	size			
				engr	projection	dwg no			
				chr	projection	51939-087			
				opdd	projection	sheet			
					projection	2 of 4			
sheet index	revision sheet								

Pro/E

3

cage code 22526

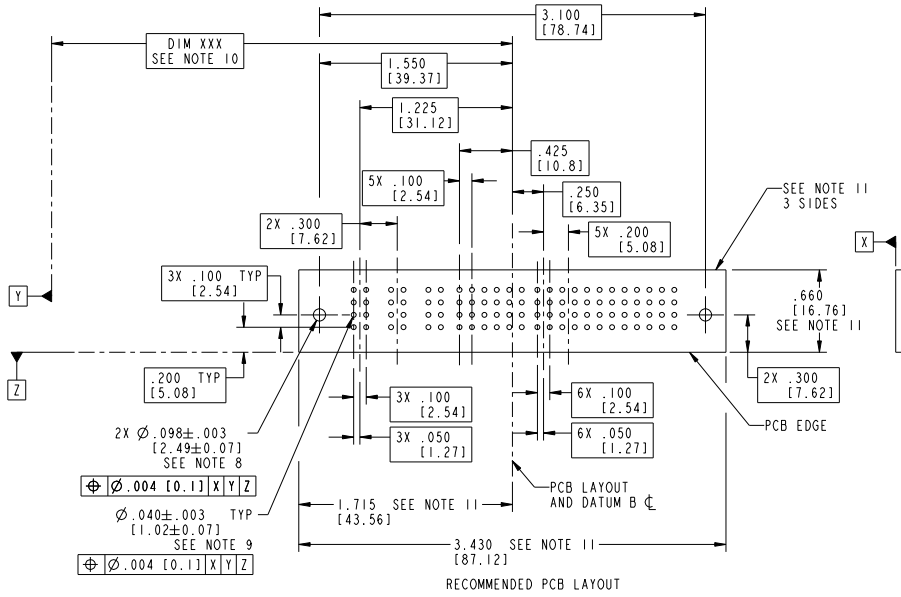
4

Tous droits strictement réservés. Reproduction ou communication de ces lignes infidélité sous quelque forme que ce soit sans autorisation écrite du propriétaire. Propriété de c FCI. Droits de reproduction FCI.



All rights strictly reserved. Reproduction or issue in kind, either in any form whatever is not permitted without written authority from the proprietor. Property of FCI. Copyright FCI.

PRODUCT NUMBER
51939-087...
NOTE: 3



RECOMMENDED PCB LAYOUT

mat'l code		SEE NOTE 2	tolerances unless otherwise specified		CUSTOMER		www.fciconnect.com
ltr	ecm no.	dr	date	linear	projection	COPY	
D				$XX \pm .01/0.X \pm 0.3$	$XXX \pm .005/0.XX \pm 0.13$		title
				angles	$XXXX \pm .0020/0.XX \pm 0.051$		RIGHT ANGLE SOLDER HEADER
				dr	$0 \pm .7$		product family
				enr	I. BRUNGARD 10/24/03		PwrBlade
				chr	M. GRAY 10/24/03		size
				appd	M. GRAY 10/24/03		dwg no
sheet index	revision sheet						51939-087
							213
							sheet
							3 of 4

Pro/E

cage code 22526

Tous droits strictement réservés. Reproduction ou communication de ces lignes interdite sans aucune forme que ce soit sans autorisation écrite du propriétaire. Propriété de FCI. Droits de reproduction FCI.

All rights strictly reserved. Reproduction or issue in their entirety in any form whatever is not permitted without written authority from the proprietor. Property of FCI. Copyright FCI.

PRODUCT NUMBER
51939-087__
NOTE: 3

NOTES:

1. DIMENSIONS AND TOLERANCES ARE IN ACCORDANCE WITH ASME Y14.5M, 1994 UNLESS OTHERWISE SPECIFIED.

CONNECTOR NOTES:

- 2. HOUSING MATERIAL: UL 94 V-0 GLASS FILLED HIGH-TEMP THERMOPLASTIC
POWER CONTACT MATERIAL: COPPER ALLOY
SIGNAL PIN MATERIAL: COPPER ALLOY
 - 3. SEE ITEM 1 & 2 IN PRINT 10064183 FOR PLATING SPEC OF 51939-087 AND 51939-087LF RESPECTIVELY.
 - 4. MANUFACTURER'S NAME, P/N, AND DATE CODE TO APPEAR ON THIS SURFACE.
 - 5. PRODUCT SPECIFICATION GS-12-149.
APPLICATION SPECIFICATION BUS-20-067.
 - 6. PACKAGED IN TRAYS.
- PCB NOTES:
- 7. ALL HOLE DIAMETERS ARE FINISHED HOLE SIZE.
 - 8. MOUNTING HOLES, WHERE APPLICABLE, ARE UNPLATED.
 - 9. $\varnothing .0453 \pm .0010$ [1.151 \pm 0.025] DRILLED HOLES PLATED WITH
.0003 [0.008] MIN SnPb OVER .001 [0.03]
TO .003 [0.08] Cu PLATING TO ACHIEVE
 $\varnothing .040 \pm .003$ [1.02 \pm .07] HOLE.
 - 10. "DIM XXX" TO BE DETERMINED BY THE CUSTOMER.
 - 11. CONNECTOR KEEP-OUT ZONE.
 - 12. A Δ SYMBOL WILL BE NEXT TO ANY DIMENSION, VIEW, OR NOTE WHICH HAS BEEN MODIFIED WITH THE CURRENT DRAWING REVISION.

mat'l code		SEE NOTE 2	tolerances unless otherwise specified	CUSTOMER	www.fciconnect.com title 3ACP + 24S + 6P RIGHT ANGLE SOLDER HEADER product family PwrBlade code 213 size dwg no 51939-087 sheet 4 of 4
ltr	ecm no.	dr	date	linear	
sheet index	revision sheet				

cage code 22526