



Distributor of FCI: Excellent Integrated System Limited

Datasheet of D25S80C6GX00LF - D-Sub Connector Receptacle, Female Sockets 25 Position Through Hole, Right Angle Press-Fit

Contact us: sales@integrated-circuit.com Website: www.integrated-circuit.com

Excellent Integrated System Limited

Stocking Distributor

Click to view price, real time Inventory, Delivery & Lifecycle Information:

[FCI](#)

[D25S80C6GX00LF](#)

For any questions, you can email us directly:

sales@integrated-circuit.com



form A3

1

2

3

4

5

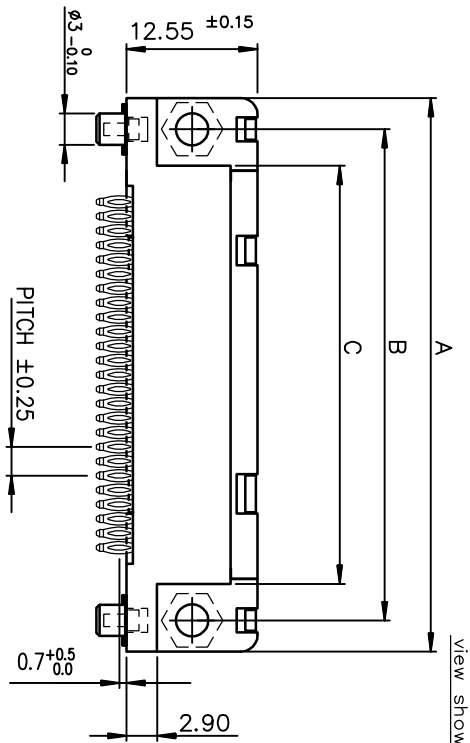
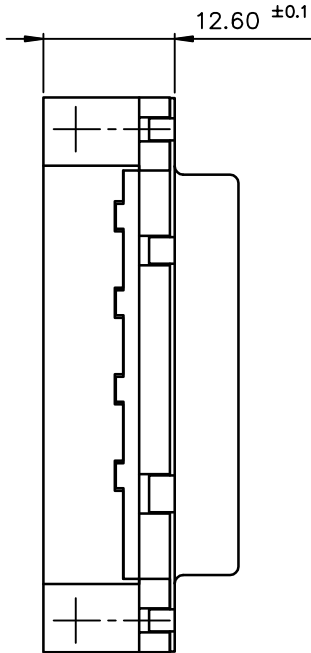
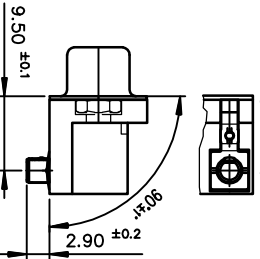
FCIconnect.com

SHELL	A±0.38	B±0.12	C±0.10	D±0.25	E±0.07	TIN LEAD PART NUMBER	TIN LEAD PART NUMBER	LEAD FREE PART NUMBER	LEAD FREE PART NUMBER
09	30.81	24.99	18.00	16.21	10.96	D09S80C4GX00	D09S80C6GX00	D09S80C4GX00LF	D09S80C6GX00LF
15	39.14	33.32	26.32	24.54	19.18	D15S80C4GX00	D15S80C6GX00	D15S80C4GX00LF	D15S80C6GX00LF
25	53.03	47.04	40.04	38.25	33.12	D25S80C4GX00	D25S80C6GX00	D25S80C4GX00LF	D25S80C6GX00LF
37	69.32	63.50	56.50	54.71	49.68	D37S80C4GX00	D37S80C6GX00	D37S80C4GX00LF	D37S80C6GX00LF

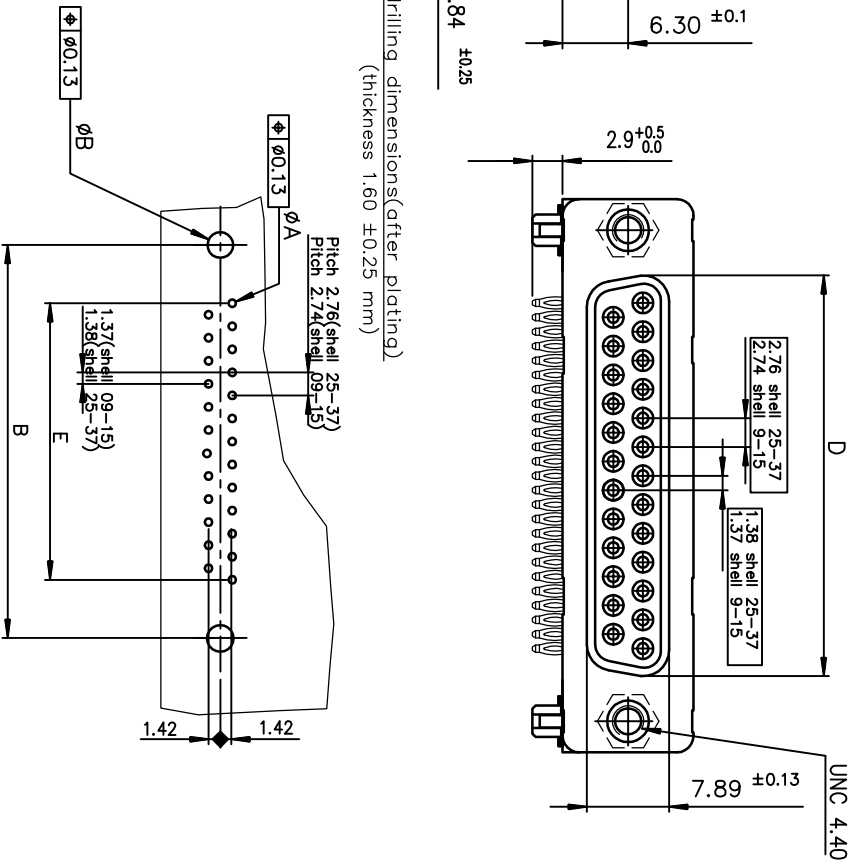
TIN LEAD PART NUMBER	TIN LEAD PART NUMBER	LEAD FREE PART NUMBER	LEAD FREE PART NUMBER
D09S80C4GX00	D09S80C6GX00	D09S80C4GX00LF	D09S80C6GX00LF
D15S80C4GX00	D15S80C6GX00	D15S80C4GX00LF	D15S80C6GX00LF
D25S80C4GX00	D25S80C6GX00	D25S80C4GX00LF	D25S80C6GX00LF
D37S80C4GX00	D37S80C6GX00	D37S80C4GX00LF	D37S80C6GX00LF

GENERAL CHARACTERISTICS AND ROHS INFORMATIONS:
SEE DRAWING C01-8646-0001

Detail of grounding strip



PC card drilling dimensions(after plating)
(thickness 1.60 ±0.25 mm)



mat'l. code		surface		tolerance		projection		product family	
lfr	ecm no	lfr	date	ISO 1302	ISO 406	ISO 1001	MM	D-Sub	
H	EX-1-1789	MP	2014/06/06	tolerance unless otherwise specified					
				angle	linear				
				0±2°	.00±0.1	.00±0.1	scale 2:1		
		dr	PESSON	1995/03/10					
		engr	MITHUN PAUL	2014/06/06					
		chr	ALIAS BABU	2014/06/06					
		appd	BIJU K PAUL	2014/06/06					
sheet	revision	H							
index	sheet	1							
title		product family		dwg no		sheet 1 of 1			
FEMALE CONNECTOR DELTA D		D-SUB		C01-8646-0174					
RIGHT ANGLED PRESS FIT				Product Customer Draw					