

## Excellent Integrated System Limited

Stocking Distributor

Click to view price, real time Inventory, Delivery & Lifecycle Information:

[FCI](#)

[51915-004LF](#)

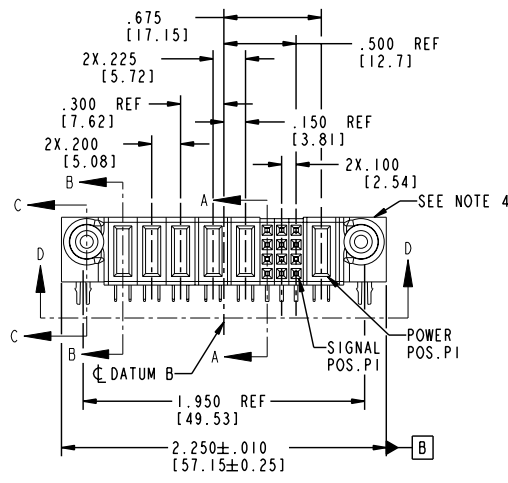
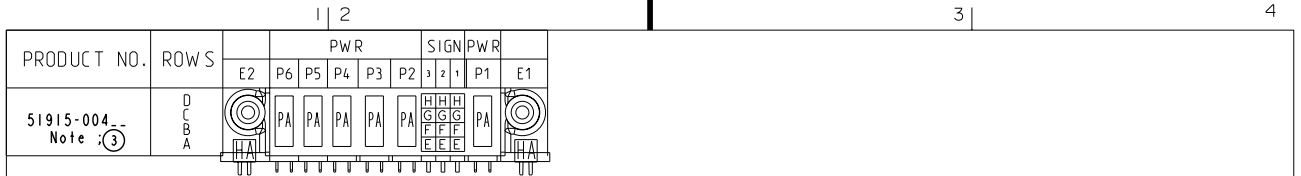
For any questions, you can email us directly:

[sales@integrated-circuit.com](mailto:sales@integrated-circuit.com)

Tous droits strictement réservés. Reproduction ou communication, o des liens interdite sous quelque forme que ce soit sans autorisation écrite du propriétaire. Propriété de c FCI. Droits de reproduction FCI.

**FCI**

All rights strictly reserved. Reproduction or issue to third parties in any form whatever is not permitted without written authority from the proprietor. Property of FCI. Copyright FCI.



CODE	DIM "M" MATING LENGTH	CONTACT TYPE
E	N/A [N/A]	SIGNAL
F	N/A [N/A]	SIGNAL
G	N/A [N/A]	SIGNAL
H	N/A [N/A]	SIGNAL
PA	.042 [1.07]	POWER
HA	N/A [N/A]	HOLD-DOWN

mat'l code		SEE NOTE 2		tolerances unless otherwise specified		CUSTOMER		<b>FCI</b>		www.fciconnect.com	
lir	ecm no.	dr	date	linear	XX±.01/0.X±0.3	projection	COPY	title	IP • 12S • 5P		
A	V12793	JWS	12/12/01		.XX±.005/0.X±0.13	INCH/MM		<b>RIGHT ANGLE SOLDER RECEPTACLE</b>			
B	D605-0112	SJ	05/16/05	angles	.XX±.002/0.X±0.051	scale	1:1	product family	PwrBlade		code
				dr	J. SHAFER 12/12/01			size	dwg no		213
				enrg	M. MOSTOLLER 12/12/01						sheet
				chr	M. MOSTOLLER 12/12/01				51915-004		1 of 4
				appd	M. MOSTOLLER 12/12/01						
sheet index	revision sheet	B	B	B	B						
		1	2	3	4						

Pro/E

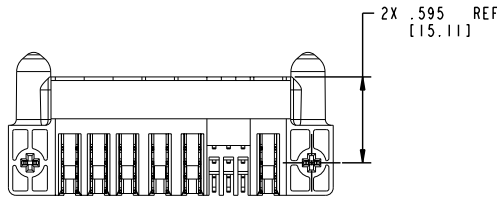
cage code **22526**

Tous droits strictement réservés. Reproduction ou communication, o des liens interdite sous quelque forme que ce soit sans autorisation écrite du propriétaire. Propriété de c FCI. Droits de reproduction FCI.

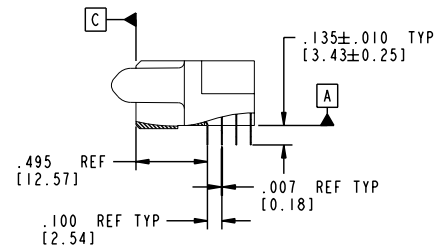
**FCI**

All rights strictly reserved. Reproduction or issue to third parties in any form whatever is not permitted without written authority from the proprietor. Property of FCI. Copyright FCI.

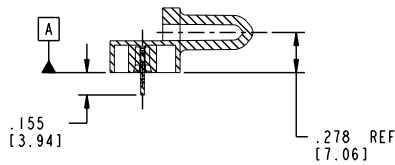
PRODUCT NUMBER  
**51915-004--**  
Note: (3)



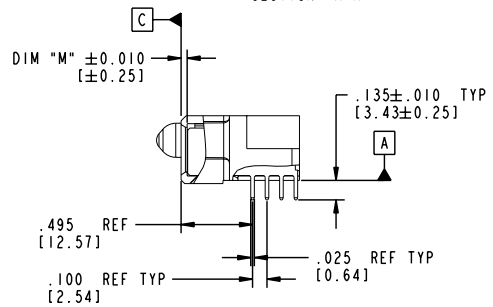
VIEW D-D



SECTION A-A



SECTION C-C



SECTION B-B

mat'l code		SEE NOTE 2		tolerances unless otherwise specified		CUSTOMER		 www.fciconnect.com	
lfr	ecn no.	dr	date	linear	$.XX \pm .01/0.X \pm 0.3$ $.XXX \pm .005/0.X \pm 0.13$ $.XXXX \pm .002/0.X \pm 0.051$	projection	COPY	title	IP • 12S • 5P
B				angles	$0^\circ \pm 2^\circ$			RIGHT ANGLE SOLDER RECEPTACLE	
		dr	J. SHAFFER	12/12/01		INCH/MM		product family	PwrBlade
		enr	M. MOSTOLLER	12/12/01		scale	A	size	51915-004
		chr	M. MOSTOLLER	12/12/01				code	213
		appd	M. MOSTOLLER	12/12/01				sheet	2 of 4
sheet index	revision sheet							cage code	22526

Pro/E

PDM: Rev:B

STATUS: Released

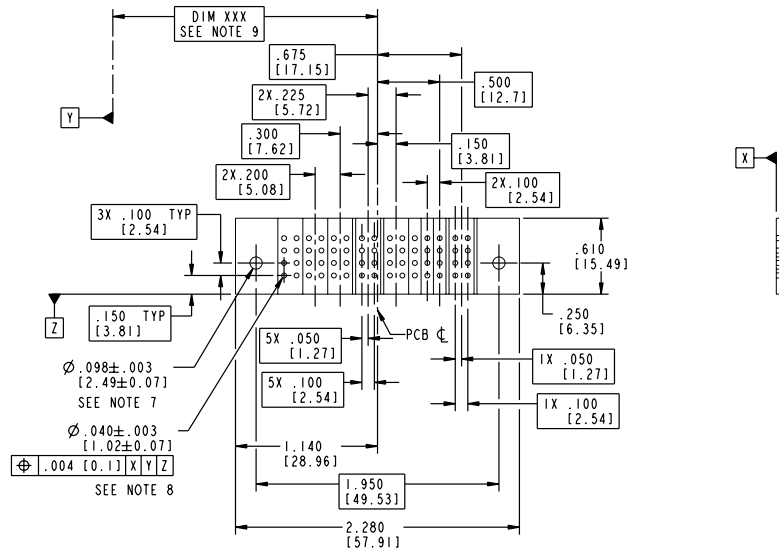
Printed: Dec 20, 2010

Tous droits strictement réservés. Reproduction ou communication à des tiers interdite sans autorisation écrite du propriétaire. Propriété de FCI. Droits de reproduction FCI.



All rights strictly reserved. Reproduction or issue to third parties in any form without written authority from the proprietor. Property of FCI. Copyright FCI.

PRODUCT NUMBER  
**51915-004..**  
 Note: ③



mat'l code		SEE NOTE 2	tolerances unless otherwise specified	CUSTOMER	FCI www.fciconnect.com	
ltr	ecm no.	dr	date	COPY	title	
B				projection	IP • 12S • 5P RIGHT ANGLE SOLDER RECEPTACLE	
				INCH/MM	product family	PwrBlade
				scale	size	code
				1:1	51915-004	213
sheet index	revision sheet					3 of 4
					code code	4
					22526	

Pro/E

PDM: Rev:B

STATUS: Released

Printed: Dec 20, 2010

Tous droits strictement réservés. Reproduction ou communication à des tiers interdite sans laque forme que ce soit sans autorisation écrite du propriétaire. Property of FCI. Droits de reproduction FCI.

**FCI**

All rights strictly reserved. Reproduction or issue to third parties in any form whatever is not permitted without written authority from the proprietor. Property of FCI. Copyright FCI.

1   2	3	4																																																																																																												
<table border="1" style="width:100%; border-collapse: collapse;"> <tr> <td style="width:20%;"><b>PRODUCT NUMBER</b></td> <td colspan="2"><b>51915-004--</b></td> </tr> <tr> <td></td> <td colspan="2"><b>Note: (3)</b></td> </tr> </table>			<b>PRODUCT NUMBER</b>	<b>51915-004--</b>			<b>Note: (3)</b>																																																																																																							
<b>PRODUCT NUMBER</b>	<b>51915-004--</b>																																																																																																													
	<b>Note: (3)</b>																																																																																																													
<p><b>NOTES:</b></p> <p>1. DIMENSIONS AND TOLERANCES ARE IN ACCORDANCE WITH ASME Y14.5M, 1994 UNLESS OTHERWISE SPECIFIED.</p> <p><b>CONNECTORS NOTES:</b></p> <p>2. HOUSING MATERIAL: UL 94 V-0 GLASS FILLED HIGH TEMP THERMO PLASTIC POWER CONTACT MATERIAL: COPPER ALLOY SIGNAL PIN MATERIAL: COPPER ALLOY</p> <p>3. PLATING:</p> <p>51915-004 Singal Pin:30u"/0.76um Au OVER 50u"/1.27um Ni ON THE CONTACT AREA, AND 100u"/2.54um SnPb PLATING OVER 50u"/1.27um Ni ON THE TERMINATION SECTION. Power Pin:30u"/0.76um Au OVER 50u"/1.27um Ni ON THE CONTACT AREA, AND 100u"/2.54um SnPb PLATING OVER 50u"/1.27um Ni ON THE TERMINATION SECTION.</p> <p>51915-004LF Singal Pin:30u"/0.76um Au OVER 50u"/1.27um Ni ON THE CONTACT AREA, AND 78u"/2.00um Sn PLATING OVER 50u"/1.27um Ni ON THE TERMINATION SECTION. Power Pin:30u"/0.76um Au OVER 50u"/1.27um Ni ON THE CONTACT AREA, AND 78u"/2.00um Sn PLATING OVER 50u"/1.27um Ni ON THE TERMINATION SECTION.</p> <p>PART NUMBER 51915-004LF MEETS EUROPEAN UNION DIRECTIVE AND OTHER COUNTRY REGULATIONS AS DESCRIBED IN GS-22-008.</p> <p>THE HOUSING WILL WITHSTAND EXPOSURE TO 260° PEAK TEMPERATURE FOR 10 SECONDS IN A WAVE SOLDER APPLICATION WITH A CIRCUIT BOARD.</p> <p>4. "MANUFACTURER" NAME, P/N, AND DATE CODE TO APPEAR ON THIS SURFACE.</p> <p>5. PRODUCT SPECIFICATION GS-12-149.</p> <p>PCB - NOTES:</p> <p>6. ALL HOLE DIAMETERS ARE FINISHED HOLE SIZE.</p> <p>7. HOLD DOWN THROUGH HOLES ARE UNPLATED.</p> <p>8. Ø.0453±0.0010 [1.151±0.025] DRILLED HOLES PLATED WITH 0.0003 [0.008] MIN SnPb OVER .001 [0.03] TO .003 [0.08] Cu PLATING TO ACHIEVE Ø.040±.003 [1.02±.07] HOLE.</p> <p>9. "DIM XXX" TO BE DETERMINED BY THE CUSTOMER.</p>																																																																																																														
<table border="1" style="width:100%; border-collapse: collapse;"> <tr> <td colspan="4">mat'l code</td> <td colspan="2">SEE NOTE 2</td> <td colspan="2">tolerances unless otherwise specified</td> <td colspan="2">CUSTOMER</td> <td colspan="2" style="text-align: center;"><b>FCI</b> www.fciconnect.com</td> </tr> <tr> <td>lfr</td> <td>ecn no.</td> <td>dr</td> <td>date</td> <td>linear</td> <td>.XX±.01/0.X±0.3</td> <td>projection</td> <td colspan="2">COPY</td> <td colspan="3">title</td> </tr> <tr> <td>B</td> <td></td> <td></td> <td></td> <td>linear</td> <td>.XXX±.005/0.XX±0.13</td> <td>projection</td> <td colspan="2">IP • 12S • 5P</td> <td colspan="3">RIGHT ANGLE SOLDER RECEPTACLE</td> </tr> <tr> <td></td> <td></td> <td></td> <td></td> <td>angles</td> <td>.XXX±.002/0.XX±0.051</td> <td>projection</td> <td colspan="2">INCH/MM</td> <td colspan="2">product family</td> <td>code</td> </tr> <tr> <td></td> <td></td> <td></td> <td></td> <td>dr</td> <td>J. SHAFFER 12/12/01</td> <td>projection</td> <td colspan="2">A</td> <td colspan="2">PwrBlade</td> <td>213</td> </tr> <tr> <td></td> <td></td> <td></td> <td></td> <td>enrg</td> <td>M. MOSTOLLER 12/12/01</td> <td>projection</td> <td colspan="2">A</td> <td colspan="2">size</td> <td>sheet</td> </tr> <tr> <td></td> <td></td> <td></td> <td></td> <td>chr</td> <td>M. MOSTOLLER 12/12/01</td> <td>projection</td> <td colspan="2">A</td> <td colspan="2">dwg no</td> <td>4 of 4</td> </tr> <tr> <td></td> <td></td> <td></td> <td></td> <td>appd</td> <td>M. MOSTOLLER 12/12/01</td> <td>projection</td> <td colspan="2">A</td> <td colspan="2">51915-004</td> <td></td> </tr> <tr> <td>sheet index</td> <td>revision sheet</td> <td></td> <td></td> <td></td> <td></td> <td></td> <td></td> <td></td> <td></td> <td></td> <td></td> </tr> </table>			mat'l code				SEE NOTE 2		tolerances unless otherwise specified		CUSTOMER		<b>FCI</b> www.fciconnect.com		lfr	ecn no.	dr	date	linear	.XX±.01/0.X±0.3	projection	COPY		title			B				linear	.XXX±.005/0.XX±0.13	projection	IP • 12S • 5P		RIGHT ANGLE SOLDER RECEPTACLE							angles	.XXX±.002/0.XX±0.051	projection	INCH/MM		product family		code					dr	J. SHAFFER 12/12/01	projection	A		PwrBlade		213					enrg	M. MOSTOLLER 12/12/01	projection	A		size		sheet					chr	M. MOSTOLLER 12/12/01	projection	A		dwg no		4 of 4					appd	M. MOSTOLLER 12/12/01	projection	A		51915-004			sheet index	revision sheet										
mat'l code				SEE NOTE 2		tolerances unless otherwise specified		CUSTOMER		<b>FCI</b> www.fciconnect.com																																																																																																				
lfr	ecn no.	dr	date	linear	.XX±.01/0.X±0.3	projection	COPY		title																																																																																																					
B				linear	.XXX±.005/0.XX±0.13	projection	IP • 12S • 5P		RIGHT ANGLE SOLDER RECEPTACLE																																																																																																					
				angles	.XXX±.002/0.XX±0.051	projection	INCH/MM		product family		code																																																																																																			
				dr	J. SHAFFER 12/12/01	projection	A		PwrBlade		213																																																																																																			
				enrg	M. MOSTOLLER 12/12/01	projection	A		size		sheet																																																																																																			
				chr	M. MOSTOLLER 12/12/01	projection	A		dwg no		4 of 4																																																																																																			
				appd	M. MOSTOLLER 12/12/01	projection	A		51915-004																																																																																																					
sheet index	revision sheet																																																																																																													
<table border="1" style="width:100%; border-collapse: collapse;"> <tr> <td style="width:25%; text-align: center;">1   2</td> <td style="width:50%; text-align: center;">3  </td> <td style="width:25%; text-align: center;">4</td> </tr> <tr> <td colspan="2" style="text-align: center;"><b>Pro/E</b></td> <td style="text-align: center;">cage code <b>22526</b></td> </tr> <tr> <td colspan="2" style="text-align: center;"><b>PDM: Rev:B</b></td> <td style="text-align: center;">STATUS: <b>Released</b></td> </tr> <tr> <td colspan="3" style="text-align: right;">Printed: Dec 20, 2010</td> </tr> </table>			1   2	3	4	<b>Pro/E</b>		cage code <b>22526</b>	<b>PDM: Rev:B</b>		STATUS: <b>Released</b>	Printed: Dec 20, 2010																																																																																																		
1   2	3	4																																																																																																												
<b>Pro/E</b>		cage code <b>22526</b>																																																																																																												
<b>PDM: Rev:B</b>		STATUS: <b>Released</b>																																																																																																												
Printed: Dec 20, 2010																																																																																																														