

Excellent Integrated System Limited

Stocking Distributor

Click to view price, real time Inventory, Delivery & Lifecycle Information:

[FCI](#)
[51866-023](#)

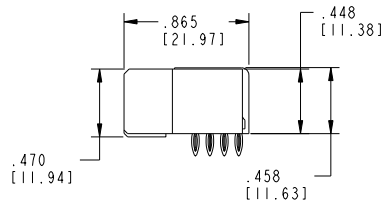
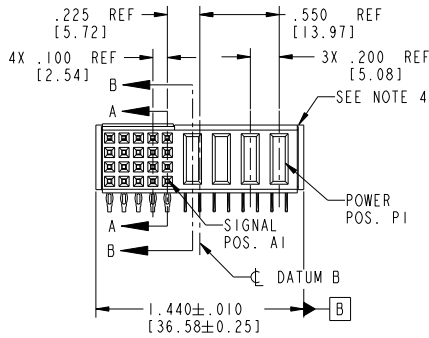
For any questions, you can email us directly:
sales@integrated-circuit.com

Tous droits strictement réservés. Reproduction ou communication à des tiers interdite sous quelque forme que ce soit sans autorisation écrite du propriétaire. Propriété de c FCI. Droits de reproduction FCI.



All rights strictly reserved. Reproduction or issue to third parties in any form whatsoever is not permitted without written authority from the proprietor. Property of FCI. Copyright FCI.

PRODUCT NO.	ROWS	SIGNAL				POWER			
		5	4	3	2	1	P4	P3	P2
51866-023 NOTE (3)	D C B A	S	S	S	S	PE	PE	PE	PE
		D	D	D	D				
		C	C	C	C				
		B	B	B	B				
		A	A	A	A				



CODE	DIM "M" MATING LENGTH	CONTACT TYPE
N	N/A [N/A]	SIGNAL
P	N/A [N/A]	SIGNAL
R	N/A [N/A]	SIGNAL
S	N/A [N/A]	SIGNAL
PE	.042 [1.07]	POWER

mat'l code		SEE NOTE 2		tolerances unless otherwise specified		CUSTOMER		FCI	
ltr	ech no.	dr	date	linear	.XX±.01/0.X±0.3	projection	COPY	www.fciconnect.com	
A	V03-1260	TAB	11/25/03		.XXX±.005/0.XX±0.13		title 4P + 20S		
B	DG05-0171	GuoJM	05/19/06	angles	.XXX±.0020/0.XXX±0.051		R/A PRESS-FIT RECEPTACLE		
C	DG08-0251	W D	09/16/08	dr	0°±?	INCH/MM	product family	PwrBlade	code 213
				enr	T. BRUNGARD 11/25/03	scale	size	dwg no	sheet 1 of 4
				chr	M. GRAY 11/25/03	1:1	A	51866-023	
				appd	M. GRAY 11/25/03				
sheet index	revision sheet	C 1	C 2	C 3	C 4				

Pro/E

PDM: Rev: C

STAT: US: Released

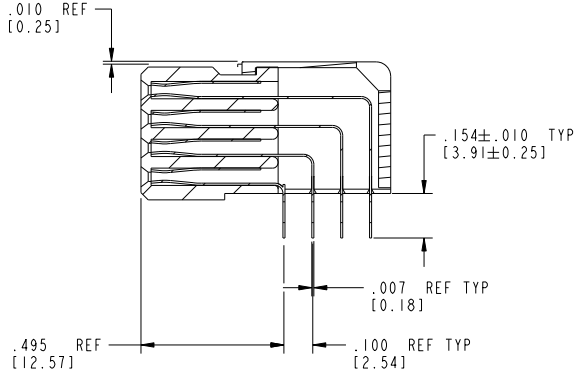
Printed: Dec 20, 2010

Tous droits strictement réservés. Reproduction ou communication à des tiers interdite sans quelque forme que ce soit sans autorisation écrite du propriétaire. Propriété de c FCI. Droits de reproduction FCI.

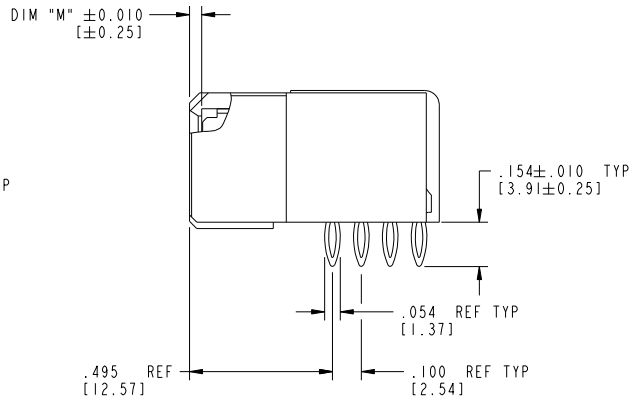


All rights strictly reserved. Reproduction or issue to third parties in any form whatsoever is not permitted without written authority from the proprietor. Property of FCI. Copyright FCI.

PRODUCT NUMBER
51866-023_-
NOTE: (3)



SECTION A-A
SCALE 2:1



BROKEN-OUT SECTION B-B
SCALE 2:1

mat'l code				SEE NOTE 2		tolerances unless otherwise specified		CUSTOMER		FCI		www.fciconnect.com	
ltr	ech no.	dr	date	linear	.XX±.01/0.X±0.3	angles	.XXX±.005/0.XX±0.13	projection	COPY	title		4P + 20S	
C					.XXX±.0020/0.XXX±0.051		0°±?	INCH/MM		R/A PRESS-FIT RECEPTACLE		code	
				dr	T. BRUNGARD 11/25/03					product family	PwrBlade	213	
				enr	M. GRAY 11/25/03					size	dwg no	sheet	
				chr	M. GRAY 11/25/03					A	51866-023	2 of 4	
				appd	M. GRAY 11/25/03					scale	1:1		
sheet index	revision sheet												

Pro/E

PDM: Rev: C

STATUS: Released

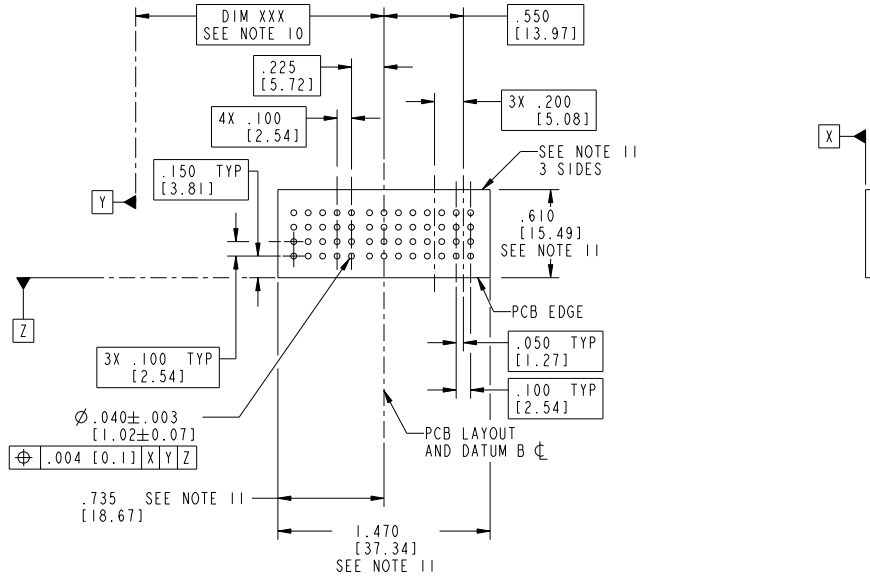
Printed: Dec 20, 2010

Tous droits strictement réservés. Reproduction ou communication à des tiers interdite sans quelque forme que ce soit sans autorisation écrite du propriétaire. Propriété de c FCI. Droits de reproduction FCI.



All rights strictly reserved. Reproduction or issue to third parties, in any form whatsoever is not permitted without written authority from the proprietor. Property of FCI. Copyright FCI.

PRODUCT NUMBER
51866-023--
NOTE: (3)



RECOMMENDED PCB LAYOUT

mat'l code		SEE NOTE 2		tolerances unless otherwise specified		CUSTOMER		FCI		www.fciconnect.com		
ltr	ech no.	dr	date	linear	.XX±.01/0.X±0.3	projection	COPY	title	4P + 20S			
C				angles	.XXX±.005/0.XX±0.13			R/A PRESS-FIT RECEPTACLE				
				dr	.XXXX±.0020/0.XXX±0.051			product family	PwrBlade	code	213	
				enr	T. BRUNGARD 11/25/03	INCH/MM	scale	size	dwg no	51866-023	sheet	3 of 4
				chr	M. GRAY 11/25/03	1:1						
				appd	M. GRAY 11/25/03							
sheet index	revision sheet											

1 | 2

Pro/E

PDM: Rev: C

STATUS: Released

Printed: Dec 20, 2010

1 | 2

3 |

4

A

A

B

B

Tous droits strictement réservés. Reproduction ou communication à des tiers interdite sous quelque forme que ce soit sans autorisation écrite du propriétaire. Propriété de c FCI. Droits de reproduction FCI.



All rights strictly reserved. Reproduction or issue to third parties in any form whatsoever is not permitted without written authority from the proprietor. Property of FCI. Copyright FCI.

1 | 2

3 |

4

PRODUCT NUMBER
 51866-023--
 NOTE: (3)

NOTES:

1. DIMENSIONS AND TOLERANCES ARE IN ACCORDANCE WITH ASME Y14.5M, 1994 UNLESS OTHERWISE SPECIFIED.

CONNECTOR NOTES:

- (2) HOUSING MATERIAL: UL 94 V-0 GLASS FILLED HIGH-TEMP THERMOPLASTIC
 POWER CONTACT MATERIAL: COPPER ALLOY
 SIGNAL PIN MATERIAL: COPPER ALLOY
- △ 3. SEE ITEM 7 & 8 IN PRINT 10064183 FOR PLATING SPEC OF 51866-023 AND 51866-023LF RESPECTIVELY.
- (4) MANUFACTURER'S NAME, P/N, AND DATE CODE TO APPEAR ON THIS SURFACE.
- 5. PRODUCT SPECIFICATION GS-12-149.
 APPLICATION SPECIFICATION BUS-20-067.
- 6. PACKAGED IN TRAYS.

PCB NOTES:

- 7. ALL HOLE DIAMETERS ARE FINISHED HOLE SIZE.
- (8) MOUNTING HOLES, WHERE APPLICABLE, ARE UNPLATED.
- (9) $\varnothing .0453 \pm .0010$ [1.151 ± 0.025] DRILLED HOLES PLATED WITH
 $.0003$ [0.008] MIN SnPb OVER $.001$ [0.03]
 TO $.003$ [0.08] Cu PLATING TO ACHIEVE
 $\varnothing .040 \pm .003$ [$1.02 \pm .07$] HOLE.
- (10) "DIM XXX" TO BE DETERMINED BY THE CUSTOMER.
- (11) CONNECTOR KEEP-OUT ZONE.
- 12. USE FCI CAM TOOL 430140-011 TO APPLY CONNECTOR TO PCB.
- 13. A \triangle SYMBOL WILL BE NEXT TO ANY DIMENSION, VIEW, OR NOTE WHICH HAS BEEN MODIFIED WITH THE CURRENT DRAWING REVISION.

mat'l code				SEE NOTE 2				tolerances unless otherwise specified				CUSTOMER		FCI		www.fciconnect.com	
ltr	ech no.	dr	date	linear	.XX±.01/0.X±0.3			COPY		projection		title		code		size	
C				angles	.XXX±.005/0.XX±0.13			A		R/A PRESS-FIT RECEPTACLE		4P + 20S		213		PwrBlade	
				dr	.XXXX±.0020/0.XXX±0.051			INCH/MM		product family		code		sheet		4 of 4	
				enr	0° ± 2°			1:1		size		A		51866-023		4 of 4	
				chr	T. BRUNGARD 11/25/03					scale							
				appd	M. GRAY 11/25/03												
					M. GRAY 11/25/03												
sheet index	revision sheet																

1 | 2

Pro/E

PDM: Rev: C

STAT US: Released

Printed: Dec 20, 2010