

Excellent Integrated System Limited

Stocking Distributor

Click to view price, real time Inventory, Delivery & Lifecycle Information:

[FCI](#)

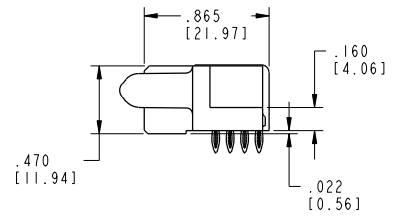
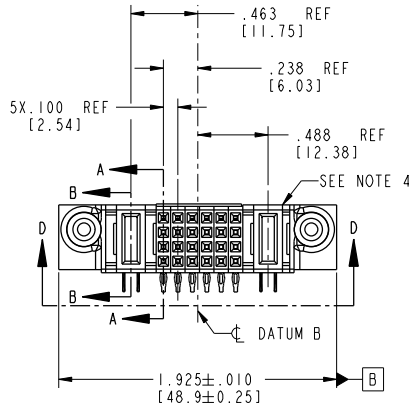
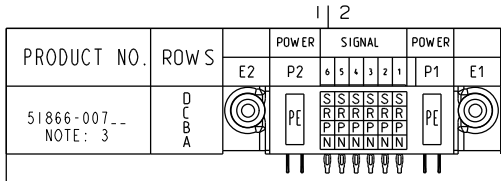
[51866-007LF](#)

For any questions, you can email us directly:

sales@integrated-circuit.com

Tous droits strictement réservés. Reproduction ou communication à des tiers interdite sans quelque forme que ce soit sans autorisation écrite du propriétaire. Propriété de c FCI. Droits de reproduction FCI.

All rights strictly reserved. Reproduction or issue to third parties in any form whatsoever is not permitted without written authority from the proprietor. Property of FCI. Copyright FCI.



CODE	DIM "M" MATING LENGTH	CONTACT TYPE
N	N/A [N/A]	SIGNAL
P	N/A [N/A]	SIGNAL
R	N/A [N/A]	SIGNAL
S	N/A [N/A]	SIGNAL
PE	.042 [1.07]	POWER

mat'l code		SEE NOTE 2		tolerances unless otherwise specified		CUSTOMER		FCI www.fciconnect.com	
ltr	ecn no.	dr	date	linear	.XX±.01/0.X±0.3	projection	COPY	title	IP + 24S + IP
A	V12545	JWS	11/29/01	angles	.XXX±.005/0.XX±0.13	INCH/MM	product family	R/A PRESS FIT RECEPT.	PwrBlade
B	D605-0530	GuoJM	12/09/05	dr	.XXXX±.0020/0.XXX±0.051	scale	size	A	code
				enr	J. SHAFER 11/29/01	1:1	dwg no	51866-007	213
				chr	J. ALLISON 11/29/01		sheet	1 of 4	
				appd	J. ALLISON 11/29/01				
sheet index	revision sheet	B 1	B 2	B 3	B 4				

Pro/E

PDM: Rev: B

STATUS **Released**

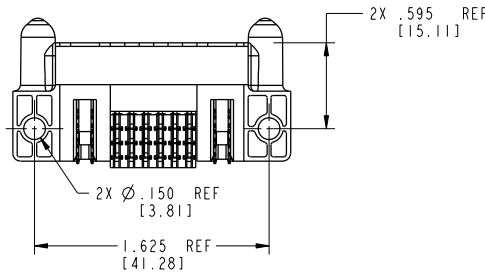
Printed: Oct 08, 2006

Tous droits strictement réservés. Reproduction ou communication à des tiers interdite sans quelque forme que ce soit sans autorisation écrite du propriétaire. Propriété de c FCI. Droits de reproduction FCI.

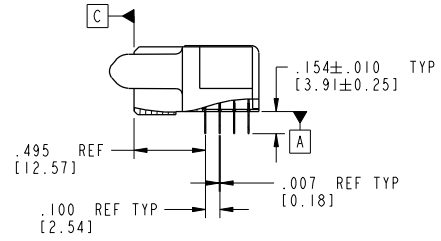
All rights strictly reserved. Reproduction or issue to third parties in any form whatsoever is not permitted without written authority from the proprietor. Property of FCI. Copyright FCI.

FCI

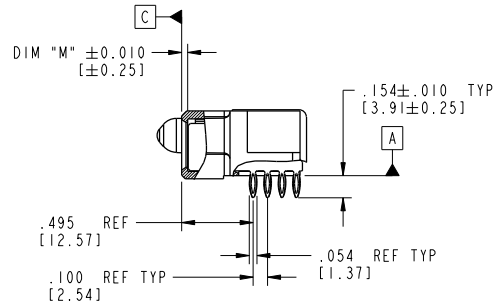
PRODUCT NUMBER
51866-007_
NOTE: 3



VIEW D-D



SECTION A-A



SECTION B-B

mat'l code		SEE NOTE 2		tolerances unless otherwise specified		CUSTOMER		www.fciconnect.com	
lfr	ecm no.	dr	date	linear	.XX±.01/0.X±0.3	projection	COPY	title	IP + 24S + IP
B				linear	.XXX±.005/0.XX±0.13		INCH/MM	R/A PRESS FIT RECEPT.	
				angles	.XXX±.0020/0.XXX±0.051			product family	PwrBlade
				dr	J. SHAFFER 11/29/01	scale	1:1	size	A
				enr	J. ALLISON 11/29/01			dwg no	51866-007
				chr	J. ALLISON 11/29/01			sheet	2 of 4
				appd	J. ALLISON 11/29/01			sheet	2 of 4
sheet index	revision sheet								

1 | 2

Pro/E

PDM: Rev: B

STATUS **Released**

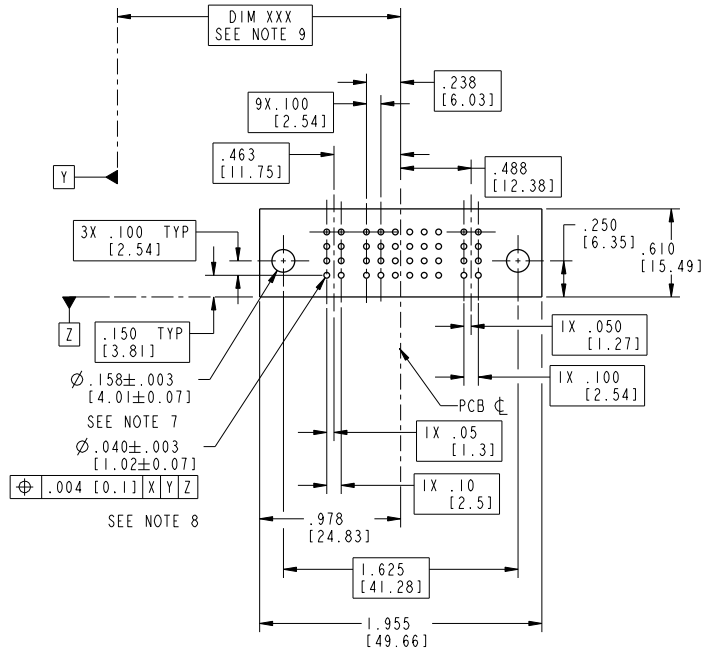
Printed: Oct 08, 2006

Tous droits strictement réservés. Reproduction ou communication à des tiers interdite sans quelque forme que ce soit sans autorisation écrite du propriétaire. Propriété de c FCI. Droits de reproduction FCI.

All rights strictly reserved. Reproduction or issue to third parties in any form whatsoever is not permitted without written authority from the proprietor. Property of FCI. Copyright FCI.



PRODUCT NUMBER
51866-007_
NOTE: 3



mat'l code				SEE NOTE 2		tolerances unless otherwise specified		CUSTOMER		www.fciconnect.com	
ltr	ecm no.	dr	date	linear	.XX±.01/0.X±0.3	projection	COPY		title		
B				angles	.XXX±.005/0.XX±0.13		R/A PRESS FIT RECEPT.		product family		
				dr	.XXXX±.0020/0.XXX±0.051		INCH/MM		PwrBlade		code
				enr	0°±?	scale		A		213	
				chr	J. SHAFFER 11/29/01	1:1		51866-007		3 of 4	
				appd	J. ALLISON 11/29/01						
sheet index	revision sheet										

1 | 2

Pro/E

PDM: Rev: B

STATUS **Released**

Printed: Oct 08, 2006

1 | 2

3 |

4

PRODUCT NUMBER
51866-007LF
NOTE: 3

NOTES:

1. DIMENSIONS AND TOLERANCES ARE IN ACCORDANCE WITH ASME Y14.5M, 1994 UNLESS OTHERWISE SPECIFIED.

CONNECTORS NOTES:

2. HOUSING MATERIAL: UL 94 V-0 GLASS FILLED HIGH TEMP THERMO PLASTIC
POWER CONTACT MATERIAL: COPPER ALLOY
SIGNAL PIN MATERIAL: COPPER ALLOY

3. PLATING:

51866-007 Singal Pin:30u"/0.76um Au OVER 50u"/1.27um Ni ON THE CONTACT AREA.
AND 100u"/2.54um SnPb PLATING OVER 50u"/1.27um Ni ON THE TERMINATION SECTION.
Power Pin:30u"/0.76um Au OVER 50u"/1.27um Ni ON THE CONTACT AREA,
AND 100u"/2.54um SnPb PLATING OVER 50u"/1.27um Ni ON THE TERMINATION SECTION.

51866-007LF Singal Pin:30u"/0.76um Au OVER 50u"/1.27um Ni ON THE CONTACT AREA.
AND 78u"/2.00um Sn PLATING OVER 50u"/1.27um Ni ON THE TERMINATION SECTION.
Power Pin:30u"/0.76um Au OVER 50u"/1.27um Ni ON THE CONTACT AREA,
AND 78u"/2.00um Sn PLATING OVER 50u"/1.27um Ni ON THE TERMINATION SECTION.

PART NUMBER 51866-007LF MEETS EUROPEAN UNION DIRECTIVE AND OTHER ICOUNTRY REGULATIONS AS DESCRIBED IN GS-22-008.

THE HOUSING WILL WITHSTAND EXPOSURE TO 260° PEAK TEMPERATURE FOR 10 SECONDS IN A WAVE SOLDER APPLICATION WITH A CIRCUIT BOARD.

4. "MANUFACTURER" NAME, P/N, AND DATE CODE TO APPEAR ON THIS SURFACE.

5. PRODUCT SPECIFICATION GS-12-149.

PCB - NOTES:

6. ALL HOLE DIAMETERS ARE FINISHED HOLE SIZE.

7. HOLD DOWN THROUGH HOLES ARE UNPLATED.

8. $\varnothing .0453 \pm 0.0010$ [1.151 \pm 0.025] DRILLED HOLES PLATED WITH 0.0003 [0.008] MIN SnPb OVER .001 [0.03] TO .003 [0.08] Cu PLATING TO ACHIEVE $\varnothing .040 \pm .003$ [1.02 \pm .07] HOLE.

9. "DIM XXX" TO BE DETERMINED BY THE CUSTOMER.

10. USE FCI CAM TOOL 430140-XXX TO APPLY CONNECTOR TO PCB.

mat'l code				SEE NOTE 2		tolerances unless otherwise specified		CUSTOMER		FCI www.fciconnect.com	
lfr	ecn no.	dr	date	linear	.XX±.01/0.X±0.3	projection	COPY		title IP + 24S + IP		
B					.XXX±.005/0.XX±0.13				R/A PRESS FIT RECEPT.		
				angles	.XXXX±.0020/0.XXX±0.051		INCH/MM		product family PwrBlade		code 213
				dr	J. SHAFFER 11/29/01		scale 1:1		size dwg no A 51866-007		sheet 4 of 4
				enr	J. ALLISON 11/29/01						
				chr	J. ALLISON 11/29/01						
				appd	J. ALLISON 11/29/01						
sheet index	revision sheet										

1 | 2

Pro/E

PDM: Rev: B

STATUS Released

Printed: Oct 08, 2006

Tous droits strictement reserves. Reproduction ou communication a des tiers interdite sous quelque forme que ce soit sans autorisation ecrite du proprietaire. Propriete de c FCI. Droits de reproduction FCI.

All rights strictly reserved. Reproduction or issue to third parties in any form whatsoever is not permitted without written authority from the proprietor. Property of FCI. Copyright FCI.



code code 22526