

Excellent Integrated System Limited

Stocking Distributor

Click to view price, real time Inventory, Delivery & Lifecycle Information:

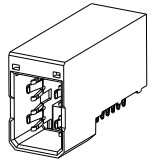
[FCI](#)

[10028918-001LF](#)

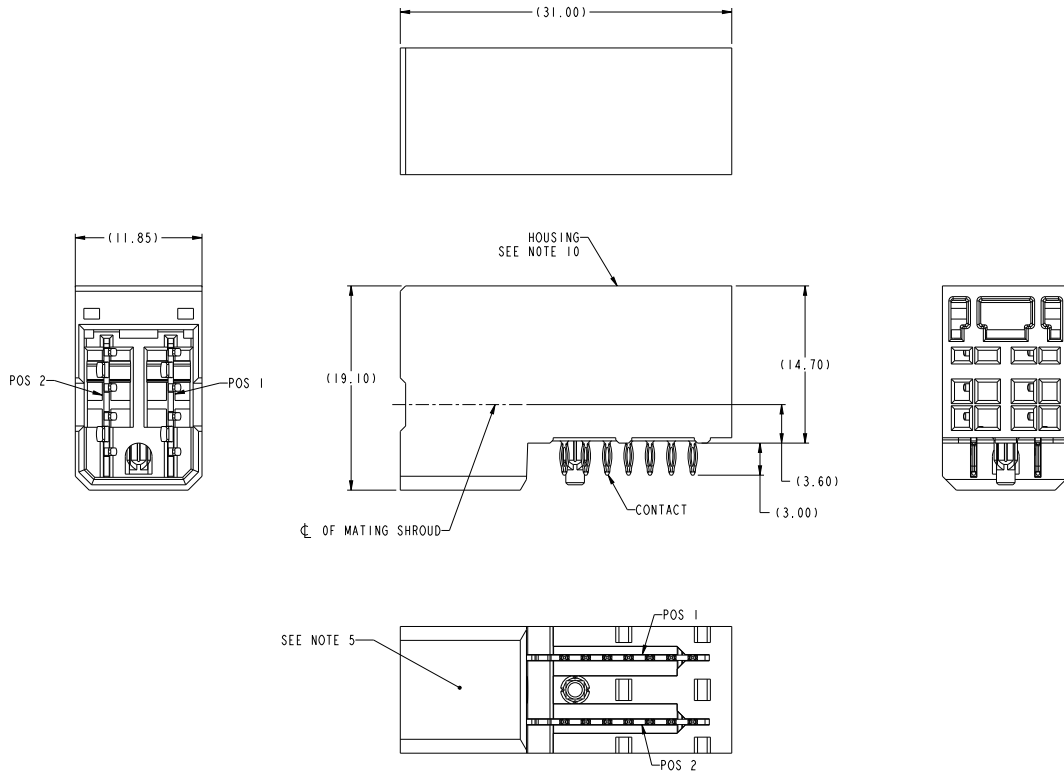
For any questions, you can email us directly:

sales@integrated-circuit.com

PRODUCT NUMBER (SEE NOTE 2)	CONTACT PLATING		ROHS COMPATIBILITY
	SEPARABLE INTERFACE	PRESS-FIT TAIL	
10028918-001	0.76um MIN GXT OVER NICKEL	0.5um MIN TIN-LEAD OVER NICKEL	N/A
10028918-001LF		0.5um MIN MATTE TIN OVER NICKEL	SEE NOTE 8



SCALE 2:1



spec. ref.	GS-12-220	dr	Chandrabhan	designed	projection	MM	size	A2	scale	2:1
tolerance	ASME Y14.5	eng	Chandrabhan	checked	product family	2mm High Power	acc no		rel level	Released
surface	linear	0.1	±.3	FCI	R/A HEADER ASSY 1X2		10028918		rev	G
	angular	0.2X	±.10	www.fci.com	AIRMAX POWER					
		0.2X	±.050							
		0°	±2°							

PDS: Rev:G

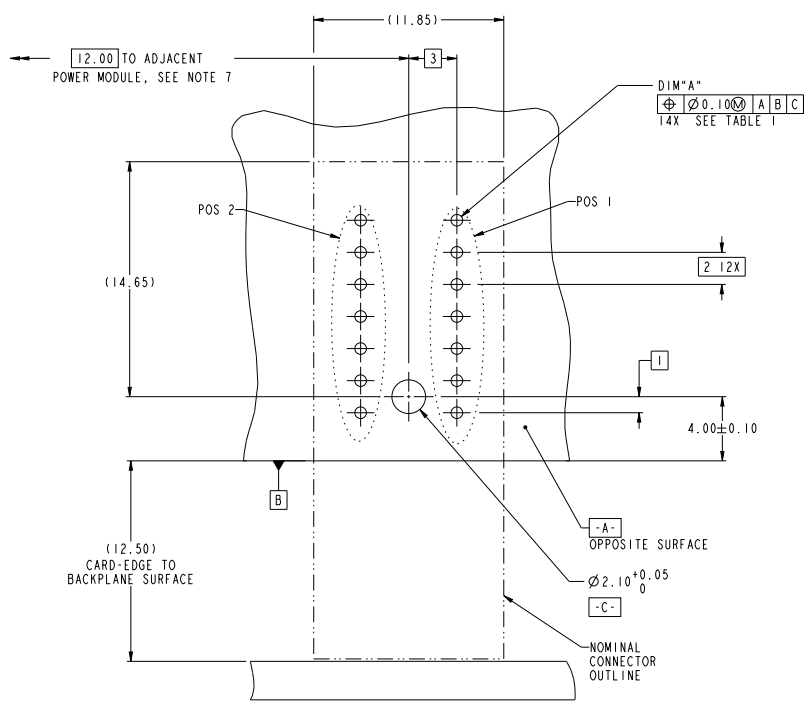
STATUS: Released

Printed: Apr 01, 2014

Copyright FCI.

TOP LAYER DESCRIPTION	TABLE 1 PLATED THROUGH-HOLE REQUIREMENTS							
	DRILLED HOLE DIAMETER	COPPER THICKNESS	TIN-LEAD THICKNESS	NICKEL THICKNESS	GOLD THICKNESS	TIN THICKNESS	SILVER THICKNESS	FINISHED HOLE DIAMETER (DIM"A")
TIN-LEAD	0.81-0.86 (0.85 DRILL)	0.025 - 0.050	0.005 - 0.015	--	--	--	--	0.65 - 0.80
IMMERSION TIN	0.81-0.86 (0.85 DRILL)	0.025 - 0.050	--	--	--	0.9 - 1.5um	--	0.70 - 0.80
IMMERSION SILVER	0.81-0.86 (0.85 DRILL)	0.025 - 0.050	--	--	--	--	0.15 - 0.65um	0.70 - 0.80
COPPER (SEE NOTE 11)	0.81-0.86 (0.85 DRILL)	0.025 - 0.050	--	--	--	--	--	0.70 - 0.80
GOLD	0.81-0.86 (0.85 DRILL)	0.025 - 0.050	--	0.003 - 0.007	FLASH UP TO 0.0002	--	--	0.69 - 0.80

- NOTES:
- CONNECTOR MATERIALS:
HOUSING: HIGH TEMPERATURE THERMOPLASTIC, BLACK
UL 94V-0 COMPLIANT
CONTACT: HIGH PERFORMANCE COPPER ALLOY
 - "LF" SUFFIX DENOTES "LEAD-FREE"
 - PRODUCT SPECIFICATION: GS-12-220
 - APPLICATION SPECIFICATION: GS-20-023
 - PRODUCT MARKING (PRODUCT NUMBER & LOT CODE) ON HOUSING.
 - MINIMUM NOMINAL PCB THICKNESS: 1.6mm
 - REFER TO CUSTOMER DRAWING SK10035911 FOR INFORMATION REGARDING PCB LAYOUT OF POWER AND GUIDE MODULES RELATIVE TO SIGNAL MODULES.
 - PRODUCT MEETS EUROPEAN UNION DIRECTIVES AND OTHER COUNTRY REGULATIONS AS DESCRIBED IN FCI SPECIFICATION GS-22-008.
 - PACKAGING MEETS FCI SPECIFICATION GS-14-920.
 - HOUSING COMPONENT WILL WITHSTAND EXPOSURE TO 260°C PEAK TEMPERATURE FOR 60 SECONDS IN A CONVECTION, INFRA-RED, OR VAPOR PHASE REFLOW OVEN.
 - COPPER PLATING THICKNESS IN CENTER OF VIA HOLE CAN BE NO MORE THAN 0.003 LESS THAN OTHER AREAS.
 - A Δ SYMBOL WILL BE NEXT TO ANY DIMENSION, VIEW, OR NOTE WHICH HAS BEEN MODIFIED WITH THE CURRENT DRAWING REVISION



RECOMMENDED PCB LAYOUT, COMPONENT SIDE
SEE NOTE 6
SCALE: 6:1

spec. ref.	GS-12-220	dr.	Chenming Yan	approved	projection	MM	size	A2	scale	1:1
tolerance std	ASME Y14.5	eng	Chenming Yan	checked	product family		acc. no.		rel. level	Released
surface	linear	0.1	±.3	FCI	R/A HEADER ASSY 1X2		10028918		rev	G
	angular	0.2X	±.10	www.fci.com	AIRMAX POWER				Product - Customer Draw	sheet 2 of 2

Copyright FCI.