



Distributor of FCI: Excellent Integrated System Limited

Datasheet of 66924-010 - Connector Receptacle 20 Position 0.100" (2.54mm) Gold Through Hole, Right Angle

Contact us: sales@integrated-circuit.com Website: www.integrated-circuit.com

Excellent Integrated System Limited

Stocking Distributor

Click to view price, real time Inventory, Delivery & Lifecycle Information:

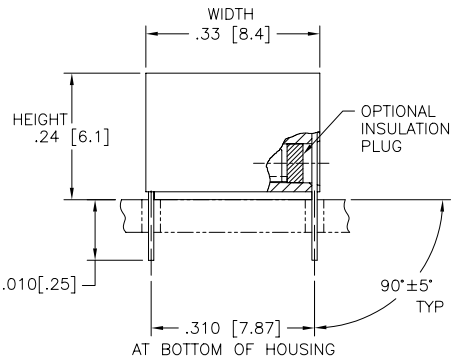
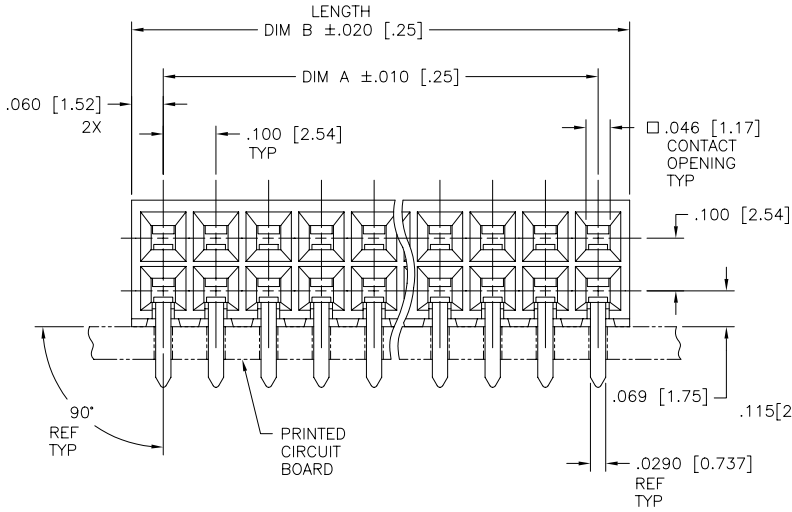
[FCI](#)
[66924-010](#)

For any questions, you can email us directly:

sales@integrated-circuit.com

PRODUCT NO.
SEE TABLE

OPTIONAL
INSULATION
PLUG



| | | | | | |
|-------------|----------|---------------------|----------------------------------|---------------------------------------|---------------------------------|
| mat'l. code | | surface ISO 1302 | tolerance ISO 406 ISO 1101 | projection | product family PV CARD CONN. |
| ltr | ecr no | dr | date | tolerances unless otherwise specified | title |
| H | v32203 | MSC | 2/9/94 | angles .XX ±.01/.3 | 2 X .100 |
| J | v60889 | LSS | 8/9/96 | linear .XXX ±.005/.13 | CARD CONNECTOR |
| K | v61633 | EPK | 11/14/96 | 0°±2' .XXXX ±.0020/.081 | scale 4:1 |
| L | v70994 | JM | 10/19/97 | dr J. SHREINER 3/14/90 | FCJ |
| M | v02523 | AZ | 10/24/00 | enrg M. HAHN 3/14/90 | dwg no 66924 |
| N | m05-0181 | MHT | 8/13/05 | chr M. HAHN 3/14/90 | sheet 1 of 6 size A3 |
| P | m06-0117 | M.N. | 06/01/06 | appd M. HAHN 3/14/90 | type Product Customer Drawing |
| sheet | revision | P | P | P | P |
| index | sheet | 1 | 2 | 3 | 4 |

PRODUCT NO.
SEE TABLE

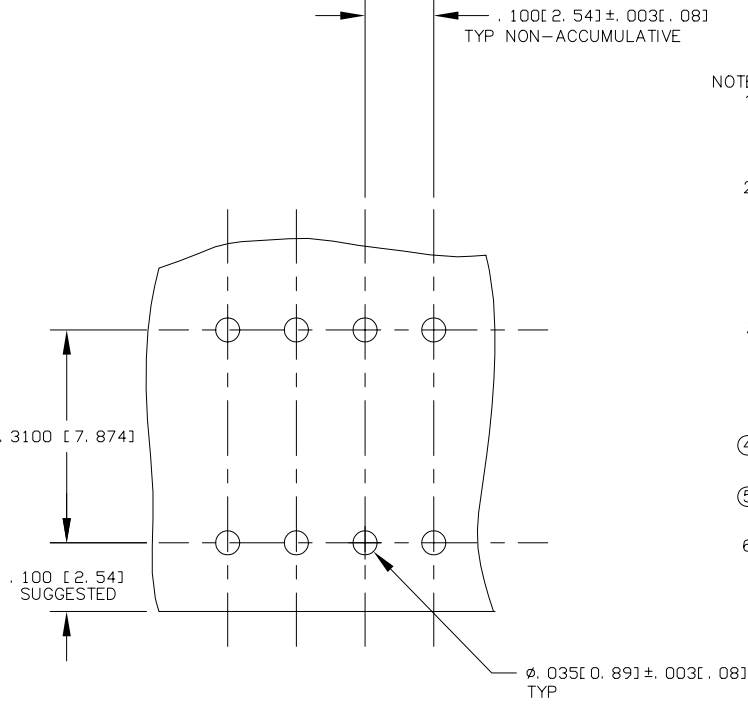


FIGURE 1
SCALE 10/1

NOTES.

1. HOUSING MATERIAL.
FILLED HIGH TEMPERATURE NYLON
PER UL 94V-0
COLOR: BLACK
2. TERMINAL MATERIAL.
BODY: 1/2 HARD BRASS, ALLOY C26000 .010/.25 THICK.
SPRING: BE-CU. ALLOY C17200 HEAT TREATED
BODY PLATING:
15 MICRONS/.38 MICRON GOLD OVER 50 MICRONS
1.27 MICRON IN CONTACT AREA.
SPRING PLATING: GOLD FLASH
3. APPLICATION INFORMATION.
A. RECOMMENDED MOUNTING HOLE PATTERN IS SHOWN IN FIG. "1"
B. ALL MATING PINS TO BE .025/.64 SQUARE ON TRUE CENTER OF GIVEN TERMINAL SPACINGS WITHIN .015/.38 DIA.
C. SUGGESTED MATING PIN LENGTH .350±.020/8.89±.51.
- ④ ADD "LF" SUFFIX AT THE END OF PART NUMBER FOR LEAD FREE OPTION.
- ⑤ THESE PRODUCT MEETS EUROPEAN UNION DIRECTIVES AND OTHER COUNTRY REGULATIONS AS DESCRIBED IN GS-22-008
6. THIS PART WILL WITHSTAND EXPOSURE TO 260°C PEAK TEMPERATURE FOR 20 SECONDS IN A WAVE SOLDER, INFRA-RED OR VAPOR PHASE SOLDER PROCESS.

| | | | | | |
|-------------|----------------|---------------------|----------------------------------|-----------------------------------|---------------------------------|
| mat'l. code | | surface ISO 1302 | tolerance ISO 406 ISO 1101 | projection | product family PV CARD CONN. |
| ltr | ecr | no | ldr | date | title |
| P | | | | | 2 X .100 CARD CONNECTOR |
| angles | | linear | .XX ±.01/3 .XXX ±.005/.13 | INCH/MM | scale 4:1 |
| 0°±2' | | dr | J. SHREINER 3/14/90 | FCI | |
| | | enrg | M. HAHN 3/14/90 | dwg no 66924 sheet 2 of 6 size A3 | |
| | | chr | M. HAHN 3/14/90 | type Product Customer Drawing | |
| | | appd | M. HAHN 3/14/90 | | |
| sheet index | revision sheet | | | | |

| PRODUCT NUMBER | N. OF POS. | DIM. A | DIM. B | INSULATION PLUG | LEAD FREE OPTION |
|----------------|------------|-----------|--------------|-----------------|------------------|
| 66924-001 | 2X1 | .00/0 | .120/3.05 | NO | NOTE 5,6 |
| -002 | 2X2 | .10/2.5 | .220/5.59 | | |
| -003 | 2X3 | .20/5.0 | .320/8.13 | | |
| -004 | 2X4 | .30/7.6 | .420/10.67 | | |
| -005 | 2X5 | .40/10.1 | .520/13.21 | | |
| -006 | 2X6 | .50/12.7 | .620/15.75 | | |
| -007 | 2X7 | .60/15.2 | .720/18.27 | | |
| -008 | 2X8 | .70/17.7 | .820/20.83 | | |
| -009 | 2X9 | .80/20.3 | .920/23.37 | | |
| -010 | 2X10 | .90/22.8 | 1.020/25.91 | | |
| -011 | 2X11 | 1.00/25.4 | 1.120/28.45 | | |
| -012 | 2X12 | 1.10/27.9 | 1.220/30.99 | | |
| -013 | 2X13 | 1.20/30.4 | 1.320/33.53 | | |
| -014 | 2X14 | 1.30/33.0 | 1.420/36.07 | | |
| -015 | 2X15 | 1.40/35.5 | 1.520/38.61 | | |
| -016 | 2X16 | 1.50/38.1 | 1.620/41.15 | | |
| -017 | 2X17 | 1.60/40.6 | 1.720/43.69 | | |
| -018 | 2X18 | 1.70/43.1 | 1.820/46.23 | | |
| -019 | 2X19 | 1.80/45.7 | 1.920/48.77 | | |
| -020 | 2X20 | 1.90/48.2 | 2.020/51.31 | | |
| -021 | 2X21 | 2.00/50.8 | 2.120/53.85 | | |
| -022 | 2X22 | 2.10/53.3 | 2.220/56.39 | | |
| -023 | 2X23 | 2.20/55.8 | 2.320/58.93 | | |
| -024 | 2X24 | 2.30/58.4 | 2.420/61.47 | | |
| -025 | 2X25 | 2.40/60.9 | 2.520/64.01 | | |
| -026 | 2X26 | 2.50/63.5 | 2.620/66.55 | | |
| -027 | 2X27 | 2.60/66.0 | 2.720/69.09 | | |
| -028 | 2X28 | 2.70/68.5 | 2.820/71.63 | | |
| -029 | 2X29 | 2.80/71.1 | 2.920/74.17 | | |
| -030 | 2X30 | 2.90/73.6 | 3.020/76.71 | | |
| -031 | 2X31 | 3.00/76.2 | 3.120/79.25 | | |
| -032 | 2X32 | 3.10/78.7 | 3.220/81.79 | | |
| -033 | 2X33 | 3.20/81.2 | 3.320/84.33 | | |
| -034 | 2X34 | 3.30/83.8 | 3.420/86.87 | | |
| -035 | 2X35 | 3.40/86.3 | 3.520/89.41 | | |
| -036 | 2X36 | 3.50/88.9 | 3.620/91.95 | | |
| -037 | 2X37 | 3.60/91.4 | 3.720/94.49 | | |
| -038 | 2X38 | 3.70/93.9 | 3.820/97.03 | | |
| -039 | 2X39 | 3.80/96.5 | 3.920/99.57 | | |
| 66924-040 | 2X40 | 3.90/99.0 | 4.020/102.11 | NO | NOTE 5,6 |

| | | | | | |
|-------------|----------------|---|----------------------------------|---------------------|--|
| mat'l. code | | surface ISO 1302 <input checked="" type="checkbox"/> | tolerance ISO 406 ISO 1101 | projection | product family PV CARD CONN. |
| ltr | ecr | no | dr | date | tolerances unless otherwise specified |
| P | | | | | linear .XX ±.01/3 angles .XXX ±.005/13 0°±2' .XXXX ±.0020/.051 |
| | | | | | INCH/MM |
| | | | | | scale 4:1 |
| | | | dr | J. SHREINER 3/14/90 | |
| | | | enrg | M. HAHN 3/14/90 | |
| | | | chr | M. HAHN 3/14/90 | |
| | | | appd | M. HAHN 3/14/90 | |
| sheet index | revision sheet | | | | |
| | | | | | |

title
2 X .100
CARD CONNECTOR
dwg no 66924 sheet 3 of 6 size A3
type Product Customer Drawing

| PRODUCT NO. | N. OF POS. | DIM. A | DIM. B | INSULATION PLUG | LEAD FREE OPTION |
|----------------|------------|------------|--------------|-----------------|------------------|
| 66924-041 | 2X41 | 4.00/101.6 | 4.120/104.65 | NO | NOTE 5,6 |
| -042 | 2X42 | 4.10/104.1 | 4.220/107.19 | | |
| -043 | 2X43 | 4.20/106.6 | 4.320/109.73 | | |
| -044 | 2X44 | 4.30/109.2 | 4.420/112.27 | | |
| -045 | 2X45 | 4.40/111.7 | 4.520/114.81 | | |
| -046 | 2X46 | 4.50/114.3 | 4.620/117.35 | | |
| -047 | 2X47 | 4.60/116.8 | 4.720/119.89 | | |
| -048 | 2X48 | 4.70/119.3 | 4.820/122.43 | | |
| -049 | 2X49 | 4.80/121.9 | 4.920/124.97 | | |
| -050 | 2X50 | 4.90/124.4 | 5.020/127.51 | | |
| -051 | 2X51 | 5.00/127.0 | 5.120/130.05 | | |
| -052 | 2X52 | 5.10/129.5 | 5.220/132.59 | | |
| -053 | 2X53 | 5.20/132.0 | 5.320/135.15 | | |
| -054 | 2X54 | 5.30/134.6 | 5.420/137.67 | | |
| -055 | 2X55 | 5.40/137.1 | 5.520/140.21 | | |
| -056 | 2X56 | 5.50/139.7 | 5.620/142.76 | | |
| -057 | 2X57 | 5.60/142.2 | 5.720/145.29 | | |
| -058 | 2X58 | 5.70/144.7 | 5.820/147.83 | | |
| -059 | 2X59 | 5.80/147.3 | 5.920/150.37 | | |
| -060 | 2X60 | 5.90/149.8 | 6.020/152.91 | | |
| -061 | 2X61 | 6.00/152.4 | 6.120/155.45 | | |
| -062 | 2X62 | 6.10/154.9 | 6.220/157.99 | | |
| -063 | 2X63 | 6.20/157.4 | 6.320/160.53 | | |
| -064 | 2X64 | 6.30/160.0 | 6.420/163.07 | | |
| 66924-065 | 2X65 | 6.40/162.5 | 6.520/165.61 | NO | |
| -066 THRU -100 | | | | | NOTE 5,6 |

OBSOLETE



Copyright FCI

| | | | | | |
|-------------|----------------|---|----------------------------------|-------------------------------|-----------------------------------|
| mat'l. code | | surface ISO 1302 <input checked="" type="checkbox"/> | tolerance ISO 406 ISO 1101 | projection | product family PV CARD CONN. |
| ltr | ecr | no | dr | date | title |
| P | | | | | 2 X .100 CARD CONNECTOR |
| | | angles | linear | .XX ±.01/.3 .XXX ±.005/.13 | INCH/MM |
| | | 0°±2' | | .XXXX ±.0020/.051 | scale 4:1 |
| | | dr | J. SHREINER | 3/14/90 | FCI |
| | | enrg | M. HAHN | 3/14/90 | dwg no 66924 sheet 4 of 6 size A3 |
| | | chr | M. HAHN | 3/14/90 | type Product Customer Drawing |
| | | appd | M. HAHN | 3/14/90 | |
| sheet index | revision sheet | | | | |

| PRODUCT NO. | N. OF POS. | DIM. A | DIM. B | INSULATION PLUG | LEAD FREE OPTION |
|-------------|------------|-----------|--------------|-----------------|------------------|
| 66924-501 | 2X1 | .00/0 | .120/3.05 | YES | NOTE 5,6 |
| -502 | 2X2 | .10/2.5 | .220/5.59 | | UNASSIGNED |
| -503 | 2X3 | .20/5.0 | .320/8.13 | | |
| -504 | 2X4 | .30/7.6 | .420/10.67 | | |
| -505 | 2X5 | .40/10.1 | .520/13.21 | | |
| -506 | 2X6 | .50/12.7 | .620/15.75 | | |
| -507 | 2X7 | .60/15.2 | .720/18.27 | | |
| -508 | 2X8 | .70/17.7 | .820/20.83 | | |
| -509 | 2X9 | .80/20.3 | .920/23.37 | | |
| -510 | 2X10 | .90/22.8 | 1.020/25.91 | | |
| -511 | 2X11 | 1.00/25.4 | 1.120/28.45 | | |
| -512 | 2X12 | 1.10/27.9 | 1.220/30.99 | | |
| -513 | 2X13 | 1.20/30.4 | 1.320/33.53 | | |
| -514 | 2X14 | 1.30/33.0 | 1.420/36.07 | | |
| -515 | 2X15 | 1.40/35.5 | 1.520/38.61 | | |
| -516 | 2X16 | 1.50/38.1 | 1.620/41.15 | | |
| -517 | 2X17 | 1.60/40.6 | 1.720/43.69 | | |
| -518 | 2X18 | 1.70/43.1 | 1.820/46.23 | | |
| -519 | 2X19 | 1.80/45.7 | 1.920/48.77 | | |
| -520 | 2X20 | 1.90/48.2 | 2.020/51.31 | | |
| -521 | 2X21 | 2.00/50.8 | 2.120/53.85 | | |
| -522 | 2X22 | 2.10/53.3 | 2.220/56.39 | | |
| -523 | 2X23 | 2.20/55.8 | 2.320/58.93 | | |
| -524 | 2X24 | 2.30/58.4 | 2.420/61.47 | | |
| -525 | 2X25 | 2.40/60.9 | 2.520/64.01 | | |
| -526 | 2X26 | 2.50/63.5 | 2.620/66.55 | | |
| -527 | 2X27 | 2.60/66.0 | 2.720/69.09 | | |
| -528 | 2X28 | 2.70/68.5 | 2.820/71.63 | | |
| -529 | 2X29 | 2.80/71.1 | 2.920/74.17 | | |
| -530 | 2X30 | 2.90/73.6 | 3.020/76.71 | | |
| -531 | 2X31 | 3.00/76.2 | 3.120/79.25 | | |
| -532 | 2X32 | 3.10/78.7 | 3.220/81.79 | | |
| -533 | 2X33 | 3.20/81.2 | 3.320/84.33 | | |
| -534 | 2X34 | 3.30/83.8 | 3.420/86.87 | | |
| -535 | 2X35 | 3.40/86.3 | 3.520/89.41 | | |
| -536 | 2X36 | 3.50/88.9 | 3.620/91.95 | | |
| -537 | 2X37 | 3.60/91.4 | 3.720/94.49 | | |
| -538 | 2X38 | 3.70/93.9 | 3.820/97.03 | | |
| -539 | 2X39 | 3.80/96.5 | 3.920/99.57 | | |
| 66924-540 | 2X40 | 3.90/99.0 | 4.020/102.11 | YES | NOTE 5,6 |

| | | | | | |
|-------------|----------|---------|-----------|------------|---------------------------------------|
| mat'l. code | | surface | tolerance | projection | product family |
| ISO 1302 | | ISO 406 | ISO 1101 | | PV CARD CONN. |
| ltr | ecr | no | dr | date | tolerances unless otherwise specified |
| P | | | | | linear .XX ±.01/3 |
| | | | | | angles .XXX ±.005/13 |
| | | | | | 0°±2' .XXXX ±.0020/.051 |
| | | | | | dr J. SHREINER 3/14/90 |
| | | | | | enrg M. HAHN 3/14/90 |
| | | | | | chr M. HAHN 3/14/90 |
| | | | | | appd M. HAHN 3/14/90 |
| sheet | revision | | | | scale 4:1 |
| index | sheet | | | | |
| | | | | | title |
| | | | | | 2 X .100 |
| | | | | | CARD CONNECTOR |
| | | | | | dwg no 66924 sheet 5 of 6 size A3 |
| | | | | | type Product Customer Drawing |

| PRODUCT NO. | N. OF POS. | DIM. A | DIM. B | INSULATION PLUG | LEAD FREE OPTION |
|--------------|------------|------------|--------------|-----------------|-------------------|
| 66924-541 | 2X41 | 4.00/101.6 | 4.120/104.65 | YES | NOTE 5,6 |
| -542 | 2X42 | 4.10/104.1 | 4.220/107.19 | | |
| -543 | 2X43 | 4.20/106.6 | 4.320/109.73 | | |
| -544 | 2X44 | 4.30/109.2 | 4.420/112.27 | | |
| -545 | 2X45 | 4.40/111.7 | 4.520/114.81 | | |
| -546 | 2X46 | 4.50/114.3 | 4.620/117.35 | | |
| -547 | 2X47 | 4.60/116.8 | 4.720/119.89 | | |
| -548 | 2X48 | 4.70/119.3 | 4.820/122.43 | | |
| -549 | 2X49 | 4.80/121.9 | 4.920/124.97 | | |
| -550 | 2X50 | 4.90/124.4 | 5.020/127.51 | | |
| -551 | 2X51 | 5.00/127.0 | 5.120/130.05 | | |
| -552 | 2X52 | 5.10/129.5 | 5.220/132.59 | | |
| -553 | 2X53 | 5.20/132.0 | 5.320/135.15 | | |
| -554 | 2X54 | 5.30/134.6 | 5.420/137.67 | | |
| -555 | 2X55 | 5.40/137.1 | 5.520/140.21 | | |
| -556 | 2X56 | 5.50/139.7 | 5.620/142.76 | | |
| -557 | 2X57 | 5.60/142.2 | 5.720/145.29 | | |
| -558 | 2X58 | 5.70/144.7 | 5.820/147.83 | | |
| -559 | 2X59 | 5.80/147.3 | 5.920/150.37 | | |
| -560 | 2X60 | 5.90/149.8 | 6.020/152.91 | | |
| -561 | 2X61 | 6.00/152.4 | 6.120/155.45 | | |
| -562 | 2X62 | 6.10/154.9 | 6.220/157.99 | | |
| -563 | 2X63 | 6.20/157.4 | 6.320/160.53 | | |
| -564 | 2X64 | 6.30/160.0 | 6.420/163.07 | | |
| 66924-565 | 2X65 | 6.40/162.5 | 6.520/165.61 | YES | |
| 566 THRU 600 | | | | | OBSOLETE |
| 66924-801 | | | | | NOTE 5,6 OBSOLETE |

| | | | | | |
|-------------|----------|--|---|------------|-------------------------------|
| mat'l. code | | surface ISO 1302 <input checked="" type="checkbox"/> | tolerance ISO 406 <input checked="" type="checkbox"/> | projection | product family PV CARD CONN. |
| ltr | ecr | no | ldr | date | title |
| P | | | | | 2 X .100 |
| | | | | | CARD CONNECTOR |
| | | | | | INCH/MM |
| | | | | | scale 4:1 |
| | | | | | sheet 6 of 6 size |
| | | | | | 66924 A3 |
| | | | | | type Product Customer Drawing |
| sheet index | revision | sheet | | | |