

Excellent Integrated System Limited

Stocking Distributor

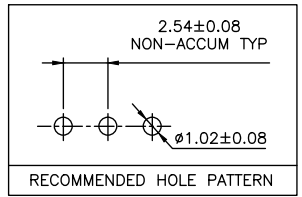
Click to view price, real time Inventory, Delivery & Lifecycle Information:

[FCI](#)
[77315-428-26](#)

For any questions, you can email us directly:
sales@integrated-circuit.com

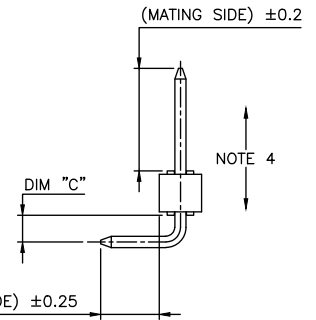
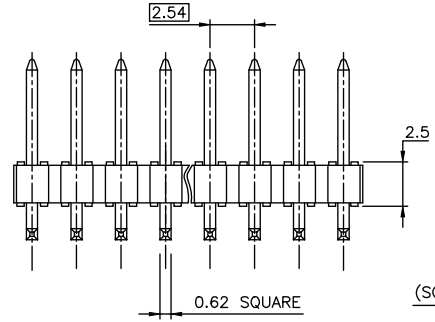
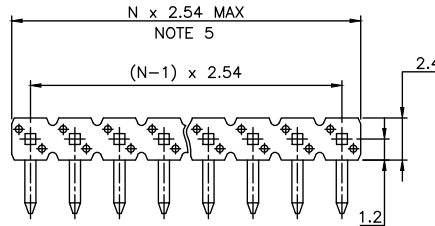
PRODUCT NUMBER
77315-YXX-XXLF

- RoHS COMPATIBLE SEE NOTE 7
- TOTAL NB OF POSITIONS 01 TO 36
- PACKAGING, NOTE 3
- PIN STYLE SEE SHEET 2
- PLATING SEE SHEET 2



NOTES:

1. HOUSING MAT'L : HIGH TEMPERATURE THERMOPLASTIC. UL94V-0 COLOR: BLACK
2. PIN MATERIAL : PHOSPHOR BRONZE
3. PACKAGING:
 - PACKAGING POLYBAG
 - "V" BLIBOX PACK FOR CUSTOMER DEDICATED PART
 - "K" TAPE & REEL PACKAGING WITHOUT PICK UP CAP
4. 9N MIN RETENTION IN EITHER DIRECTION
5. TO DETERMINE DIMENSIONS :
N = NUMBER OF POSITIONS PER ROW
EXAMPLE : 8 POS N x 2.54 = 20.32mm
6. UNDERPLATING : 1.27µm Ni MIN
7. RoHS COMPATIBLE PRODUCT SPECIFICATIONS
 - a - PLATING:
 - "LF" MEANS THE PRODUCT IS LEAD-FREE, 2µm MINIMUM MATTE TIN OVER 1.27µm MINIMUM NICKEL UNDERPLATE.
 - b - MANUFACTURING PROCESS COMPATIBILITY
 - THE HOUSING WILL WITHSTAND EXPOSURE TO 260°C ±5°C SOLDER BATH TEMPERATURE FOR 5 SECONDS IN A WAVE SOLDER APPLICATION WITH A 1.6mm MIN THICK CIRCUIT BOARD.
 - REFLOW COMPATIBLE
 - c - LABELING:
 - MEETS PACKAGING SPECS AS PER GS-14-920
 - d - LEGAL STATEMENT: SEE GS-47-0004



mat'l. code		surface		tolerance		projection		product family	
SEE NOTES		ISO 1902		ISO 406 ISO 1101		mm		BERGSTIK	
Ltr	ecn no	dr	date	tolerances unless otherwise specified		mm		title	
AT	F-23187	AMA	16.02.01	angles	.x ±0.3	mm		UNSHR.HEADER	
AU	F-23373	AMA	16.02.26	linear	.xx ±0.15	scale 5:1		RA SR TMT	
AV	F-23462	LMU	16.03.07		.xxx ±0.05			dwg no	
AW	F-23551	LMU	16.03.21	dr	D.LE	01.01.24		sheet 1 of 2	
AX	F-24328	AMA	16.06.17	enrg	JM.C	01.01.24		size	
				chr	JM.C	01.01.24		A3	
				appd	JF.N	01.01.24		Drawing	
sheet index	revision	AX	AS						
	sheet	1	2						

PRODUCT SPECIFICATIONS			
PIN STYLE	MATING	SOLDER	DIM "C"
01	5.72	2.57	1.5
02	5.72	5.11	1.5
03	5.72	7.65	1.5
07	5.72	5.11	3.9
13	5.72	3.45	1.5
18	5.84	3.05	1.5
22	11.71	3.2	1.5
24	6.75	2.85	1.5
25	8.07	3.05	1.5
26	8.2	12.6	1.5
27	5	3.9	1.5
28	3.1	3.1	1.5
29	9.7	2.90	1.5
30	8.30	4.40	1.5
31	11.70	2.80	1.5
32	8.90	3.05	1.5
33	10.20	3.05	1.5
34	10.00	3.25	1.5
35	5.72	12.73	1.5
36	N/A		
37	N/A		
38	8.51	5.51	1.5
39	9.80	9.30	1.5
40	8.13	2.54	3.90
41	14.20	3.05	1.5
42	9.00	7.20	1.5
43	8.08	2.79	1.5
44	15.70	2.79	1.5
45	8.20	2.35	1.5
46	3.10	9.90	1.5
47	2.30	2.30	1.5

PLATING

- 1 = 0.76µm GOLD/GXT ON CONTACT AREA, 2µm TIN MIN ON TAIL
- 4 = 3µm-5µm TIN FULL PLATED REFLOW
- 5 = 0.25µm GOLD/GXT ON CONTACT AREA, 2µm TIN MIN ON TAIL
- 8 = 0.38µm GOLD/GXT ON CONTACT AREA, 2µm TIN MIN ON TAIL
- G = 0.76µm FULL GXT
- S = 0.38µm FULL GXT
- 1.27µm NICKEL MIN UNDERLAYER FOR ALL PLATING VERSIONS

mat'l. code	surface	tolerance	projection	product family
SEE NOTES	ISO 1902	ISO 406 ISO 1101		BERGSTIK
Ltr ecn no dr date	tolerances unless otherwise specified		mm	title
AP F-23462 LMU 16.03.07	angles	.x ±0.3	→	UNSHR.HEADER
AR F-23551 LMU 16.03.21	linear	.xx ±0.15	←	RA SR TMT
AS F-24328 AMA 16.06.17		.xxx ±0.05	scale 5:1	dwg no 77315 sheet 2 of 2 size A3
	dr D.I.E	01.01.24		type CUSTOMER Drawing
	engr JM.C	01.01.24		
AM B-18916 LMU 14.09.26	chr JM.C	01.01.24		
AN F-23373 AMA 16.02.26	appd JF.N	01.01.24		
sheet index	revision			