

## Excellent Integrated System Limited

Stocking Distributor

Click to view price, real time Inventory, Delivery & Lifecycle Information:

[FCI](#)  
[51902-001](#)

For any questions, you can email us directly:  
[sales@integrated-circuit.com](mailto:sales@integrated-circuit.com)

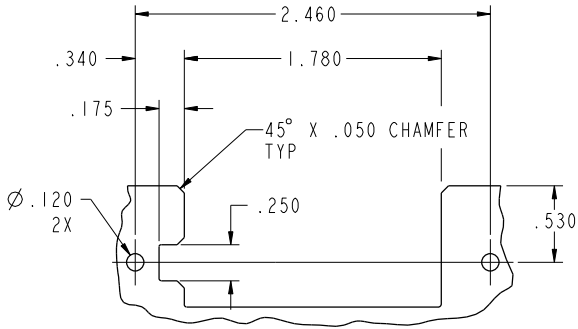
Tous droits strictement réservés. Reproduction ou communication à des tiers interdite sans autorisation écrite du propriétaire. Propriété de c FCI. Droits de reproduction FCI.



All rights strictly reserved. Reproduction or issue to third parties in any form whatsoever is not permitted without written authority from the proprietor. Property of FCI. Copyright FCI.

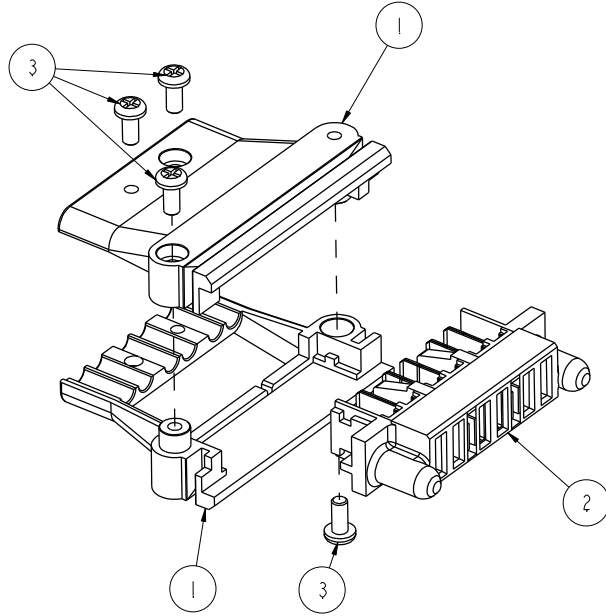
<b>PRODUCT NUMBER</b>
51902-001-- NOTE: 2

INDEX	PART NO. FOR 51902-001	PART NO. FOR 51902-001LF	QTY
1	51869-001	51869-001	2
2	51871-001	51871-001LF	1
3	10045153-001	10045153-001	4



RECOMMENDED PANEL CUTOUT  
 PANEL THICKNESS: 16 GA MAX.

- NOTES:  
 1. APPLICATION SPECIFICATION BUS-20-077.  
 2. 51902-001&51902-001LF PLATING SPEC.  
 SEE PRINT:10064183



mat'l code		tolerances unless otherwise specified		CUSTOMER		www.fciconnect.com	
ltr	ecn no.	dr	date	linear	projection	title	
A	V20175	JMS	01-28-02	.XX±.01/0.X±0.3	COPY	6 POSITION FLOATING CABLE CONNECTOR	
B	V04-0957	TAB	09/22/04	.XXX±.005/0.XX±0.13	INCH/MM	product family	code
C	DG05-0341	CS	09/23/05	.XXXX±.0020/0.XXX±0.050	scale	PWRBLADE	213
D	DG06-0234	JMG	06/14/06	0°±?	1:1	size	1 of 1
				dr		dwg no	
				enr		A	
				chr		51902-001	
				appd			
sheet index	revision sheet	D					
		1					

1 | 2

Pro/E

**PDM: Rev: D**

STATUS: **Released**

Printed: Dec 20, 2010