

Excellent Integrated System Limited

Stocking Distributor

Click to view price, real time Inventory, Delivery & Lifecycle Information:

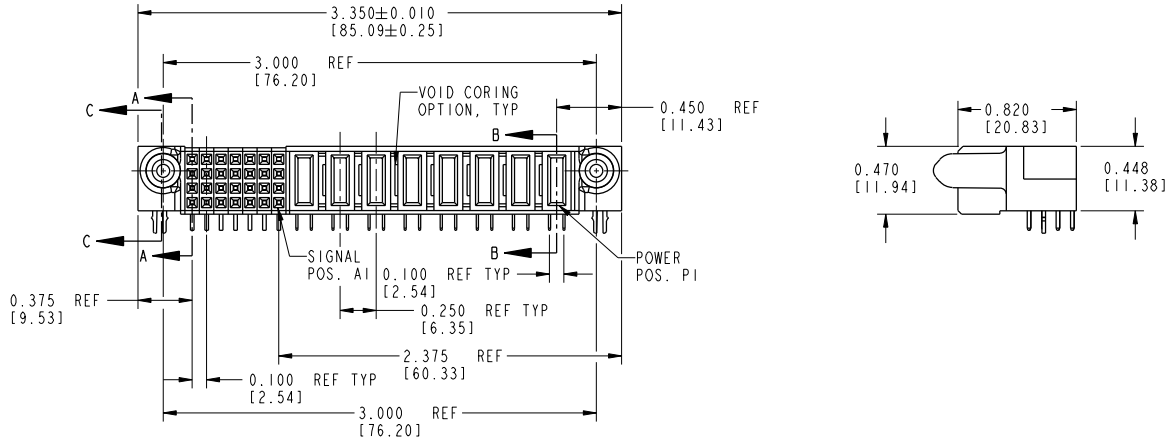
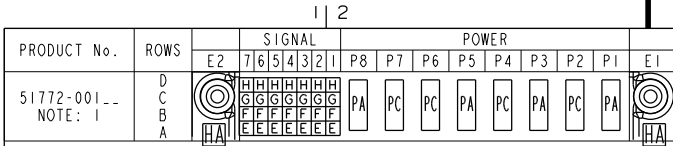
[FCI](#)
[51772-001](#)

For any questions, you can email us directly:

sales@integrated-circuit.com

Tous droits strictement réservés. Reproduction ou communication à des tiers interdite sans que quelque forme que ce soit sans autorisation écrite du propriétaire. Propriété de c FCI. Droits de reproduction FCI.

All rights strictly reserved. Reproduction or issue to third parties in any form whatsoever is not permitted without written authority from the proprietor. Property of FCI. Copyright FCI.



CODE	CONTACT TYPE	DIM "M" ±0.010 [0.25]
E	SIGNAL	N/A
F	SIGNAL	N/A
G	SIGNAL	N/A
H	SIGNAL	N/A
PA	POWER	.042 [1.07]
PC	POWER	.092 [2.34]
HA	HOLD DOWN	N/A

mat'l code				tolerances unless otherwise specified		CUSTOMER		CONFIDENTIAL	
ltr	ecn no.	dr	date	linear	XX ± .01 / 0. X ± 0.3	COPY		www.fciconnect.com	
A	V02739	JWS	11-17-00		.XXX ± .005 / 0. XXX ± 0.13	projection	title		8P + 28S
B	V21513	TAB	10-07-02	angles	.XXX ± .0020 / 0. XXX ± .051	INCH/MM		R/A STB RECEPTACLE	
C	DG05-0304	GuoJM	09/14/05		0 ± .2	scale	product family		PwrBlade
				dr	J. SHAFFER 11-17-00	1:1	size		213
				enr	J. DODDS 11-15-00		dwg no		1 of 2
				chr	J. DODDS 11-17-00		A		51772-001
				appd	J. DODDS 11-17-00				
sheet index	revision sheet	C	C						
		1	2						

Tous droits strictement réservés. Reproduction ou communication à des tiers interdite sous quelque forme que ce soit sans autorisation écrite du propriétaire. Propriété de c FCI. Droits de reproduction FCI.

FCI

All rights strictly reserved. Reproduction or issue to third parties, in any form whatsoever is not permitted without written authority from the proprietor. Property of FCI. Copyright FCI.

B

1 | 2

3 |

4

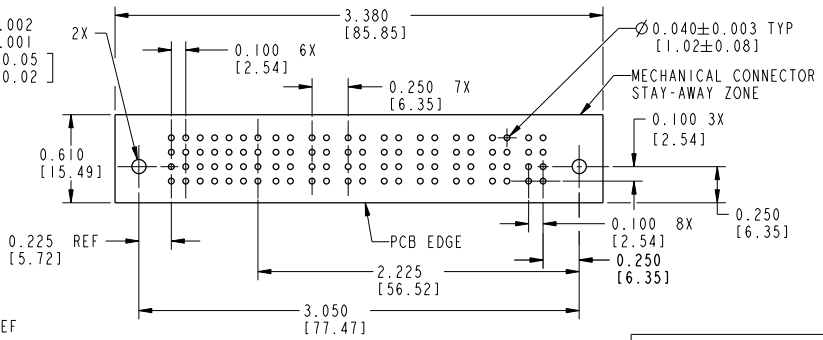
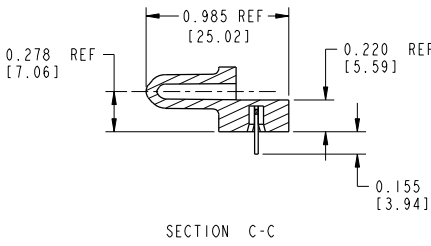
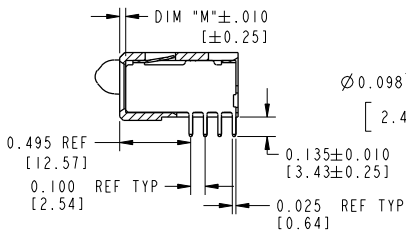
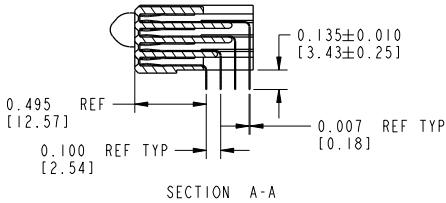
PRODUCT NUMBER
51772-001--
NOTE: 1

CONNECTOR NOTES:

① FOR ADDITIONAL INFORMATION, REFER TO DRAWING NUMBER 51772.

PCB NOTES:

2. ALL DIMENSIONS ARE BASIC UNLESS OTHERWISE SPECIFIED.
3. ALL THROUGH HOLES ARE LOCATED WITH A TRUE POSITION OF 0.004 [0.10]
4. ALL HOLE DIAMETERS ARE FINISHED HOLE SIZE.
5. $\varnothing 0.098$ [2.49] THROUGH HOLES ARE UNPLATED.
6. $\varnothing 0.0453 \pm 0.0010$ [1.151 \pm 0.025] DRILLED HOLES PLATED WITH 0.0003 [0.008] MIN SnPb OVER 0.001 [0.03] TO 0.003 [0.08] Cu PLATING TO ACHIEVE A $\varnothing 0.040 \pm 0.003$ [1.02 \pm 0.08] HOLE.



CONFIDENTIAL

mat'l code				tolerances unless otherwise specified		CUSTOMER		FCI	
ltr	ecn no.	dr	date	linear	XX ± .01 / 0.X ± 0.3	COPY	www.fciconnect.com		
C				linear	.XXX ± .005 / 0.XX ± 0.13	projection	title	8P + 28S	
				angles	.XXX ± .0020 / 0.XX ± .051	INCH/MM	R/A STB RECEPTACLE	product family PwrBlade	
				dr	J. SHAFFER 11-17-00	scale	A	size	code 213
				enr	J. DODDS 11-15-00	1:1	51772-001	dwg no	sheet 2 of 2
				chr	J. DODDS 11-17-00				
				appd	J. DODDS 11-17-00				
sheet index	revision sheet								

1 | 2

Pro/E

PDM: Rev: C

STATUS: **Released**

Printed: Dec 20, 2010

B