

Excellent Integrated System Limited

Stocking Distributor

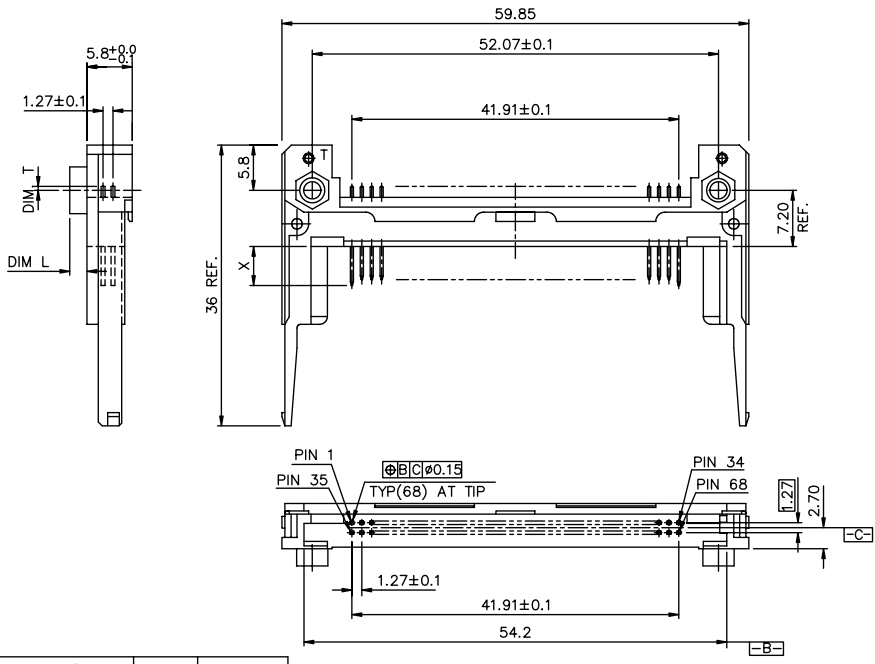
Click to view price, real time Inventory, Delivery & Lifecycle Information:

[FCI](#)
[61128-0022LF](#)

For any questions, you can email us directly:
sales@integrated-circuit.com

Tous droits strictement réservés. Reproduction ou communication sans autorisation écrite du propriétaire.
 Propriété de c BERG ELECTRONICS.
 Droite de reproduction BERG ELECTRONICS by

All rights strictly reserved. Reproduction or issue to third parties in any form without the written authority from the proprietor.
 Copyright BERG ELECTRONICS by



- 61128- [] [] [] [] LF
- LEAD FREE
 - B: FOR BOSCH-TELECOM
 - N: FOR CANON
 - V: FOR VALLEY GREEN
 - C: FOR CISCO
- STAND-OFF 00 : 0.0 mm
 20 : 2.0 mm
 22 : 2.2 mm
 30 : 3.0 mm
 40 : 4.0 mm
 43 : 4.3 mm
 50 : 5.0 mm
- UPPER DECK : 5
 LOWER DECK : 0
- TOP MOUNT : 0
 BOTTOM MOUNT : 5

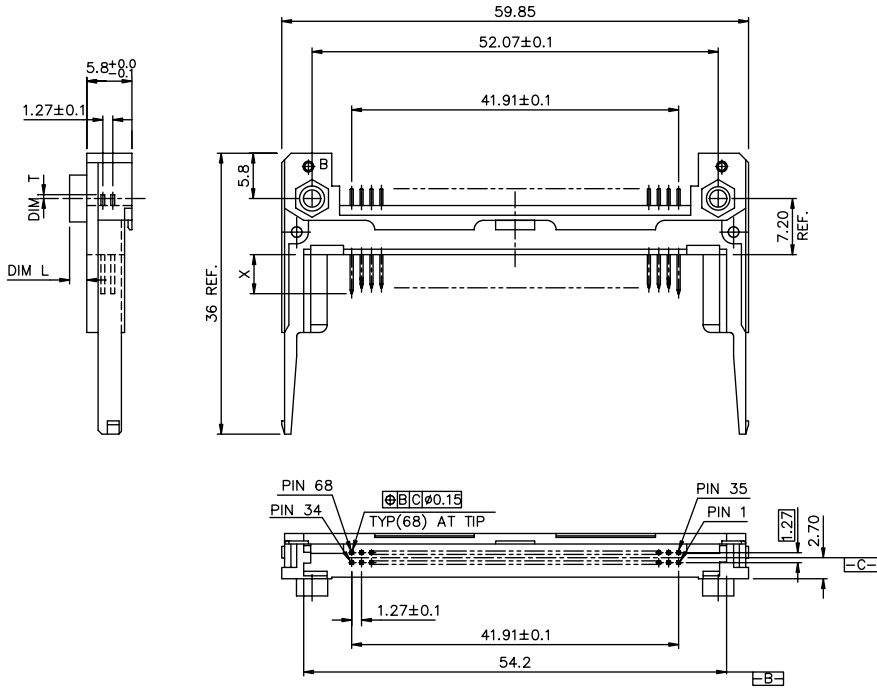
DIM"X"			
PIN NUMBER	4.25±0.1	3.5±0.1	5.0±0.1
	OTHERS	36,67	1,17,34

61128-0543C/0543CLF	0.0	7.5
61128-0050C/0050CLF	5.0	0.6
61128-0043C/0043CLF	4.3	0.6
61128-0022C/0022CLF	2.2	0.6
61128-0022B/0022BLF	2.2	0.6
61128-0022/0022LF	2.2	0.6
61128-0543/0543LF	0.0	7.5
61128-0500/0500LF	0.0	10.9
61128-0100/0100LF	0.0	3.0
61128-0050N/0050NLF	5.0	0.6
61128-0040/0040LF	4.0	0.6
61128-0043/0043LF	4.3	0.6
61128-0050/0050LF	5.0	0.6
61128-0022V/0022VLF	2.2	3.0
PRODUCT NO	DIM. L	DIM. T±0.10

mat'l code		tolerance unless otherwise specified		CUSTOMER COPY		FCI		www.fciconnect.com	
rev.	ecn no.	dr	date	linear	±0.30	projection	title	68POS. EJECTOR HEADER HEADER ASS'Y	
K	T03-0389	W	L 09/10/03						
L	N04-0030	P	H 07/21/04	angles	± 2°				
M	N05-0140	W	B 05/31/05	dr	WENDY CHEN 07/11/95	unit	product family	PCMA	code
				enrg	L.W. LU 07/11/95	mm/inch	size	dwg no.	
				chr	JOSEPH HSIA 07/11/95	scale	A3	61128	sheet 1 of 2
				appd	JENN TSAO 07/11/95				
sheet	revision	M	L						
index	sheet	1	2						

Tous droits strictement réservés. Reproduction ou communication à des tiers sans autorisation écrite du propriétaire.
 Propriété de © BERG ELECTRONICS.
 Droite de reproduction BERG ELECTRONICS by

All rights strictly reserved. Reproduction or issue to third parties in any form without written authority from the proprietor.
 Copyright © BERG ELECTRONICS.
 Copyright BERG ELECTRONICS by



- 61128- [] [] []
- LF : LEAD FREE
- STAND-OFF
- 00 : 0.0 mm
 - 20 : 2.0 mm
 - 22 : 2.2 mm
 - 30 : 3.0 mm
 - 40 : 4.0 mm
 - 43 : 4.3 mm
 - 50 : 5.0 mm
- UPPER DECK : 5
- LOWER DECK : 0
- TOP MOUNT : 0
- BOTTOM MOUNT : 5

DIM "X"			
PIN NUMBER	4.25±0.1	3.5±0.1	5.0±0.1
OTHERS	36,67	1,17,34	35,51,68

61128-5022/5022LF	2.2	0.6
61128-5543/5543LF	0.0	7.5
61128-5500/5500LF	0.0	10.9
61128-5043/5043LF	4.3	0.6
61128-5050/5050LF	5.0	0.6
PRODUCT NO	DIM. L	DIM. T±0.10

mat'l code		tolerance unless otherwise specified		CUSTOMER COPY	
rev.	ecn no.	dr	date	linear	±0.30
L				angles	± 2°
				dr	WENDY CHEN 10/16/01
				enr	MINERVA WANG 10/16/01
				chr	MINERVA WANG 10/16/01
				appd	JENN TSAO 10/16/01
sheet	revision			unit	mm/inch
index	sheet			scale	2:1
				projection	1st angle
				title	68POS. EJECTOR HEADER HEADER ASS'Y
				product family	PCMCIA
				size	A3
				dwg no.	61128
				code	
				sheet	2 of