

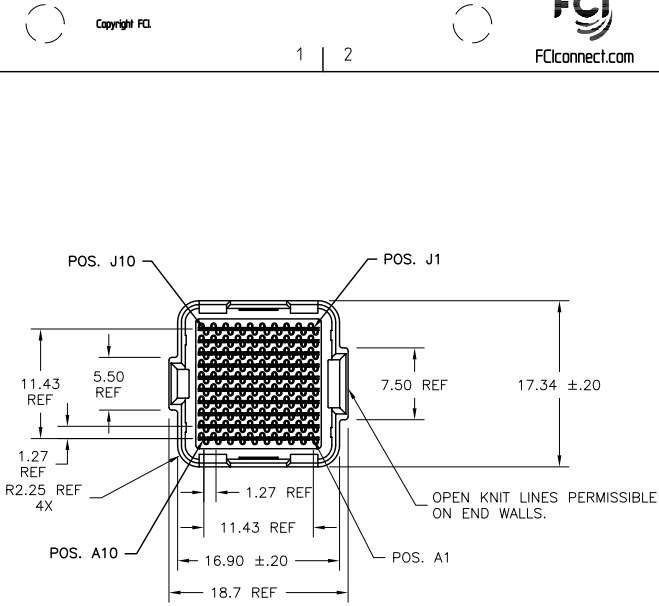
Excellent Integrated System Limited

Stocking Distributor

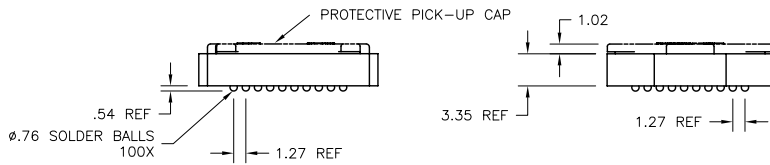
Click to view price, real time Inventory, Delivery & Lifecycle Information:

[FCI](#)
[84512-002](#)

For any questions, you can email us directly:
sales@integrated-circuit.com



PRODUCT No.	PICK-UP CAP (NATURAL OR BLACK COLOR)	CONTACT PLATING AND THICKNESS	SOLDER BALL	NOTES
84512-002	YES	15u" (.38um) Au	SnPb	
84512-002LF	YES	15u" (.38um) Au	LEAD FREE	5
84512-092	YES	15u" (.38um) GXT	SnPb	
84512-092LF	YES	15u" (.38um) GXT	LEAD FREE	5
84512-102	YES	30u" (.76um) Au	SnPb	
84512-102LF	YES	30u" (.76um) Au	LEAD FREE	5
84512-192	YES	30u" (.76um) GXT	SnPb	
84512-192LF	YES	30u" (.76um) GXT	LEAD FREE	5
84512-202	YES	Au SPECIAL	SnPb	3
84512-202LF	YES	Au SPECIAL	LEAD FREE	3 AND 5
84512-292	YES	GXT SPECIAL	SnPb	3
84512-292LF	YES	GXT SPECIAL	LEAD FREE	3 AND 5
84512-302	YES	15u" (.38um) Au SPECIAL	SnPb	6
84512-302LF	YES	15u" (.38um) Au SPECIAL	LEAD FREE	5 AND 6
84512-402	YES	30u" (.76um) Au SPECIAL	SnPb	6
84512-402LF	YES	30u" (.76um) Au SPECIAL	LEAD FREE	5 AND 6
84512-502	YES	Au SPECIAL	SnPb	3 AND 6
84512-502LF	YES	Au SPECIAL	LEAD FREE	3, 5 AND 6



mat'l. code	surface	tolerance	projection	product family
-	ASME Y14.5	ASME Y14.5	MM	MEG-Array
litr	ecn no	dr	date	title
H	V12-0030	RE	2012-08-06	10 X 10 = 100 POSITION
J	V12-0035	PK	2012-09-27	Omm PLUG ASSY.
K	V12-0043	DCH	2012-11-15	sheet 1 of 3 size
-	-	-	-	84512
E	VD4-0940	VS	2004-10-18	A4
F	VD6-0560	LP	2006-07-14	CUSTOMER Drawing
G	VD7-0663	LP	2007-10-29	
sheet	revision	K	K	K
index	sheet	1	2	3

Copyright FCI

FCI
FCIconnect.com

1 | 2

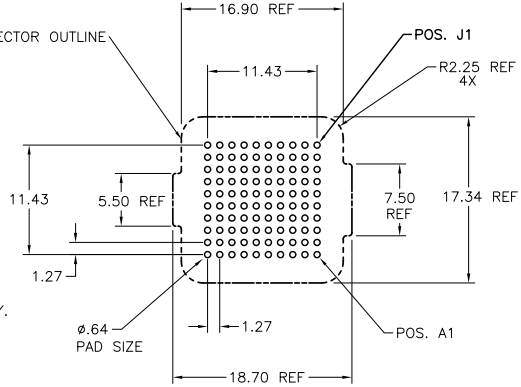
3

4

NOTES:

- ① **MAT'L**
 HOUSING: LCP
 CONTACT: COPPER ALLOY
PLATING
 CONTACT: (SEE TABLE ON SHEET1)
 SOLDER BALL: (SEE TABLE ON SHEET1)
 EUTECTIC SnPb OR LEAD FREE
 95.5Sn/4Ag/0.5Cu
2. OVERALL BOARD-TO-BOARD STACK HEIGHT WHEN MATED TO P/N 84513
 100 POSITION 4.0mm RECPT. IS 4.0mm REF.
- ⚠ 3. PLATING FOR -2XX SERIES PRODUCT NUMBERS MEET THE REQUIREMENTS OF CENTRAL OFFICE ENVIRONMENT, 25 YEAR LIFE EXPECTANCY. THE CONTACT GEOMETRY IN THESE PRODUCT NUMBERS IS SPECIAL, ALSO
- ④ FOR PROPER APPLICATION FOLLOW FCI APPLICATION SPECIFICATION GS-20-033 LEAD FREE SOLDER BALLS WILL NOT SOLDER PROPERLY IN A LEADED SOLDER PROCESS DUE TO A HIGHER REFLOW TEMPERATURE. LEAD FREE PRODUCT IS THEREFORE NOT BACKWARDS COMPATIBLE WITH LEADED OR SOME SOLDERING APPLICATIONS. REFERENCE FCI APPLICATION SPECIFICATION
- ⑤ THIS PRODUCT MEETS EUROPEAN UNION DIRECTIVES AND OTHER COUNTRY REGULATIONS AS DESCRIBED IN GS-47-0004 PRODUCT MEETING THIS DIRECTIVE IS IDENTIFIED IN THE LOT CODE NUMBER MARKED ON EACH PART BY HAVING AN "X" IN THE SEVENTH CHARACTER POSITION
- ⑥ 84512-302, -302LF, -402, -402LF, -502 AND -502LF ARE OBSOLETE

ONTO BOARD.
 STENCIL MATED CONNECTOR OUTLINE



BOARD PATTERN

8. A ⚠ SYMBOL WILL BE NEXT TO ANY DIMENSION, NEW VIEW OR NOTE WHICH HAS BEEN MODIFIED WITH THE CURRENT DRAWING REVISION

mat'l. code		surface		tolerance		projection		product family	
-		ASME Y14.5		ASME Y14.5		MM		MEG-Array	
ltr	ecn no	dr	date	tolerances unless otherwise specified		MM		title	
K				angles	X+3	1:1		0mm PLUG ASSY.	
				0° ±2'	XX+10	scale		10 X 10 = 100 POSITION	
					XXX+050	FCI		dwg no	
				dr	D.WAUGHEN 2000-08-09			sheet 2 of 3	
				engr	B.SPINK 2000-03-08			size	
				chr	B.SPINK 2000-03-08			A4	
				appd	B.SPINK 2000-03-08			84512	
sheet		revision						type	
index		sheet						CUSTOMER Drawing	

form: A4mmX1c

1

2

3

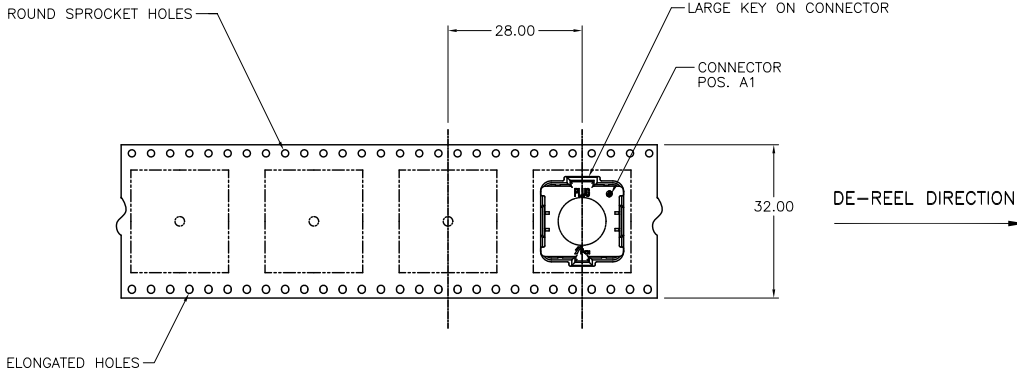
4

Copyright FCI

FCI
FCIconnect.com

3

4



mat'l. code		surface		tolerance		projection		product family	
-		ASME Y14.5		ASME Y14.5		MM		MEG-Array	
ltr	ecm no	dr	date	tolerances unless otherwise specified		MM		title	
K				angles	X+3	MM		Omm PLUG ASSY.	
				0° ±2'	XXX+050	scale 1:1		10 X 10 = 100 POSITION	
				dr	D.WAUGHEN 2000-03-08	FCI		dwg no	
				engr	B.SPINK 2000-03-08			sheet 3 of 3 size	
				chr	B.SPINK 2000-03-08			84512 A4	
				appd	B.SPINK 2000-03-08			type	
sheet index		revision sheet						CUSTOMER Drawing	

form: A4mmXLC

1

2

3

4