

## Excellent Integrated System Limited

Stocking Distributor

Click to view price, real time Inventory, Delivery & Lifecycle Information:

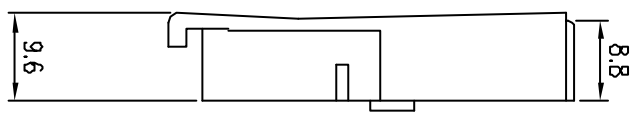
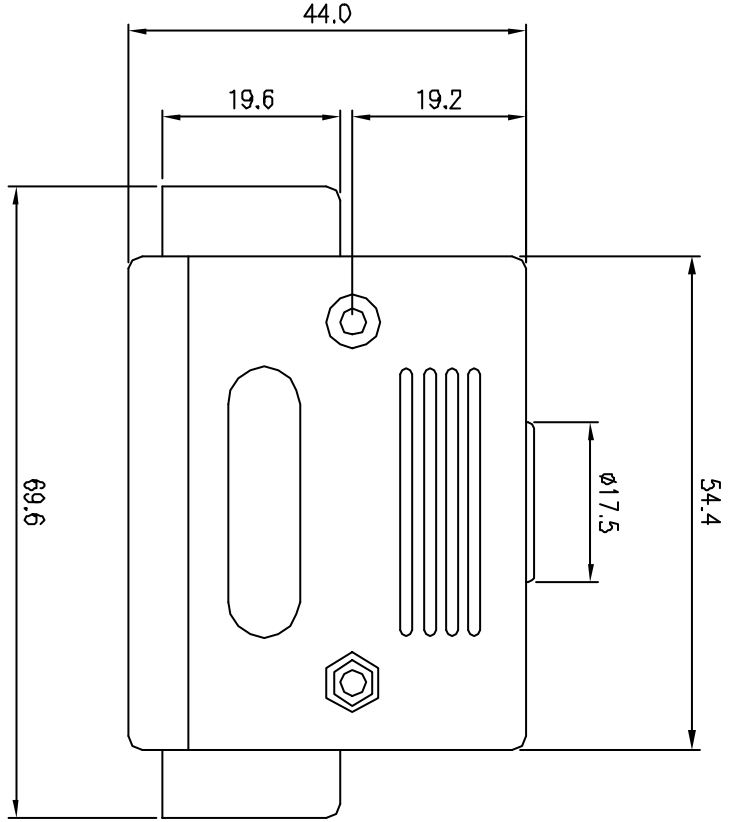
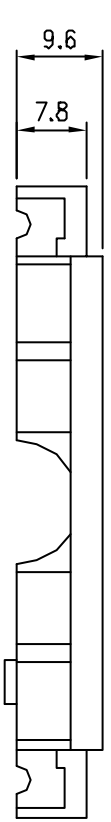
[FCI](#)  
[10039453-00001LF](#)

For any questions, you can email us directly:  
[sales@integrated-circuit.com](mailto:sales@integrated-circuit.com)



Tous droits strictement reserves. Reproduction ou communication a des tiers interdite sous quelque forme que ce soit sans autorisation écrite du propriétaire. Propriété de c FCI. Droits de reproduction FCI.

All rights strictly reserved. Reproduction or issue to third parties in any form whatever is not permitted without written authority from the proprietor. Property of FCI. Copyright FCI.



mat'l. code			tolerances unless otherwise specified			CUSTOMER COPY		title	
ltr	act no	dr	date	litr	litr	projection	scale	product family	code
A	T04-0160	J.C	3/23/04	.X ±.30	.XX ±.20	1st angle	N/A	PLASTIC HOOD FOR D-SUB 50PIN	
B	T04-0348	J.C.	8/11/04	.XXX ±.10					
C	T06-0049	J.H.	03/20/06	D ±.1*					
sheet			revision	dir		product family		code	
index			sheet	1	2	D-SUB ACCESSORY		-	
						SIZE DWG NO		sheet	
						10039453		1 of 2	
						D-SUB ACCESSORY			
						22526			

ACAD

1 | 2

3 |

4

1 | 2

3 |

4

B

A

