

## Excellent Integrated System Limited

Stocking Distributor

Click to view price, real time Inventory, Delivery & Lifecycle Information:

[FCI](#)  
[63740-102](#)

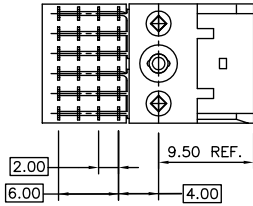
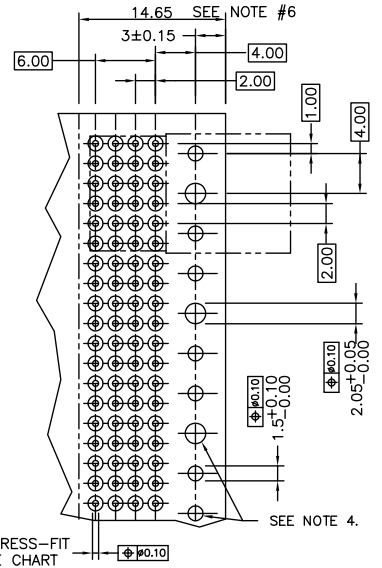
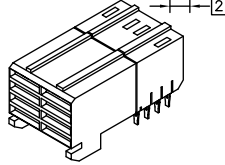
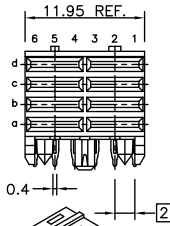
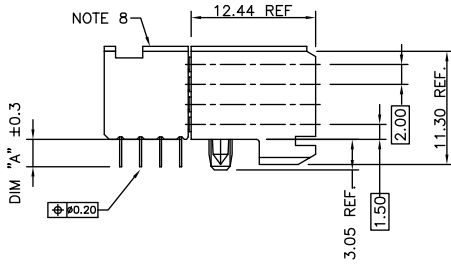
For any questions, you can email us directly:  
[sales@integrated-circuit.com](mailto:sales@integrated-circuit.com)

Tous droits strictement réservés. Reproduction ou communication, a des tiers interdite sous quelque forme que ce soit sans autorisation écrite du propriétaire. Propriété de FCI. Droits de reproduction FCI.



All rights strictly reserved. Reproduction or issue to third parties in any form whatever, is not permitted without written authority from the proprietor. Property of FCI. Copyright FCI.

PRODUCT NO.	PIN NUMBER					DIM "A"	PCB THICKNESS
	ROW #	6	5	4	3		
63740-X01 63740-X01LF	D	X	X	-	-	2.9	1.6
	C	-	-	-	-		
	B	-	-	-	-		
	A	X	X	-	-		
63740-X02 63740-X02LF	D	X	-	-	-	2.9	1.6
	C	X	-	-	-		
	B	X	-	-	-		
	A	X	-	-	-		



**NOTES:**

- ① BODY MAT'L: LIQUID CRYSTAL POLYMER 30% GLASS  
FLAME RETARDANT ACC. UL 94-V0
- ② TERMINAL MATERIAL: PHOSPHOR BRONZE.
- ③ INDICATED HOLES ARE UNPLATED.
- ④ PLATING OF COMPLIANT SECTION 0.5-1.5 µm SnPb 85-97  
OR 0.5-1.5 µm PURE Sn FOR LEAD FREE
- ⑤ PRODUCT MARKING: PART NUMBER & BATCH ID.
- ⑥ SET BACK FOR PRESS BLOCK
- ⑦ SEE TA-941 FOR APPLICATION TOOLING
- ⑧ TOP SURFACE OF PRESS BLOCK MAY EXTEND UP TO 0.4MM HIGHER THAN HOUSING. THIS MAY AFFECT THE TAIL LENGTH BEFORE APPLICATION TO A BOARD.
- ⑨ THIS PRODUCT MEETS EUROPEAN UNION DIRECTIVES AND OTHER COUNTRY REGULATIONS AS DESCRIBED IN GS-22-006
- ⑩ THE HOUSING WILL WITHSTAND EXPOSURE TO 260DEGREE PEAK TEMPERATURE FOR 10 SECONDS IN A WAVE SOLDER APPLICATION.

SEE PRESS-FIT HOLE CHART

RECOMMENDED HOLE PATTERN, COMPONENT SIDE.

PRESS-FIT HOLES	
HOLE DIAMETER AFTER PLATING	0.65-0.80
DRILLED HOLE	0.81-0.86
COPPER PLATING	0.025 MIN.
SnPb PLATING	0.005-0.015

PRODUCT #:	PLATING CONTACT AREA:	UNDERPLATING
63740-1YY	0.8 µm GOLD	1.3 µm Ni MIN.
63740-2YY	2.0 µm GOLD	1.3 µm Ni MIN.
63740-9YY	0.8 µm GXT	1.3 µm Ni MIN.
63740-1YYLF	0.8 m GOLD	1.3 m Ni MIN.
63740-2YYLF	2.0 m GOLD	1.3 m Ni MIN.
63740-9YYLF	0.8 m GXT	1.3 m Ni MIN.

mat'l. code				tolerances unless otherwise specified		CUSTOMER COPY		FCI		
ltr	ecn no	dr	date					www.fciconnect.com		
A	v91261	MDF	5/26/99	linear	.XX±.13	projection	title	R/A POWER RECEPT. ASSY		
B	v10941	JWS	2/28/01		.XXX±.051		4 ROW, P.F., P.P., S.L., 12mm			
C	v11591	LSS	5/29/01	angles	0° ±2°		product family	METRAL (tm)		
D	v11752	JWS	6/26/01	dr	M. FEITROW 5/26/99	MM	size	dwg no		
E	bc05-0465	CLU	051115	engr	L. OH 5/26/99	scale	A4		213	
F	dc08-0171	TER	9/06/08	chr	T. BREWBAKER 5/26/99	2:1	63740		sheet 1 of 1	
sheet index	revision sheet	F	1							

ACAD

PDM: Rev:F

STATUS: Released

Printed: Jul 26, 2010