

Excellent Integrated System Limited

Stocking Distributor

Click to view price, real time Inventory, Delivery & Lifecycle Information:

[FCI](#)

[75060-012](#)

For any questions, you can email us directly:

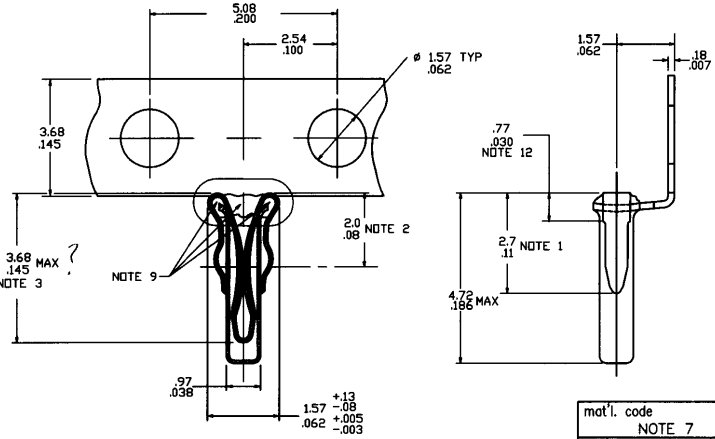
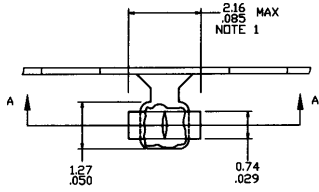
sales@integrated-circuit.com

Tous droits strictement réservés. Reproduction ou communication à des fins
 interdites sans autorisation écrite de FCI. Droits de reproduction FCI.
 All rights strictly reserved. Reproduction or communication to other
 persons without written authority from the proprietor.
 Property of FCI. Copyright FCI.

PRODUCT NUMBER	QTY/REEL	REMARKS
75060-012	25 M	
-013	5 M	
-016	25 M	NOTE 10
75060-017	5 M	NOTE 10

NOTES:

- ① DIMENSIONS APPLY PRIOR TO INSTALLATION.
- ② SHOWS CENTERLINE OF THEORETICAL POINT OF CONTACT FROM TOP OF SPRING.
- ③ SHOWS MAX DEPTH FOR .51/.020 LEAD FROM TOP OF SPRING.
- ④ THE SOCKET ASSY SHALL BE MACHINE INSERTABLE AND SELF-RETAINING DURING WAVE SOLDERING IN HOLES FROM 1.27/.050 TO 1.47/.058 DIA.
5. THE SPRING SHALL SOLDER TO THE CUP DURING WAVE SOLDERING IN SINGLE OR DOUBLE SIDED BOARDS TO 1.57/.062 THK. NO SOLDER SHALL ENTER CUP.
6. THE SOCKET SHALL ACCEPT ROUND LEADS FROM .30/.012 TO .56/.022 DIA AND FLAT LEADS WHEN PROPERLY ORIENTED, FROM .20/.008 TO .39/.015 THK BY .38/.015 TO .58/.023 WIDE.
7. CUP MATERIAL: GILDING MATERIAL PER MIL C21768. SPRING MATERIAL: BeCu PER CC-C-533
8. CUP PLATING: TIN-LEAD 60/40, .76u/30u' MIN THK SPRING PLATING: .76u/30u' Au(MIL-G-45204B) TYPE IC OVER 1.01u/40u' NICKEL(QQ-N-290)
- ⑩ RTV APPLIED TO AREA SHOWN TO PREVENT FLUX AND SOLDER FROM ENTERING SOCKET DURING WAVE SOLDERING.
- ⑩ RTV TO BE PLACED IN SPRING LOOPS ONLY.
11. SEE PRODUCT SPECIFICATION NO 12-006 FOR INSERTION/WITHDRAWAL FORCES.
12. .77/.030 DIM REFERS TO INSTALLED HEIGHT ABOVE BOARD.



SECTION A-A

mat'l. code NOTE 7				tolerances unless otherwise specified		CUSTOMER COPY		Electronics www.fciconnect.com	
itr	ecn no	dr	date	linear	.XX ±.01/.3	projection		title	
J		RLS	5/8/87		.XXX ±.005/0.13			MINISERT SOCKET ASSY	
K	V90943	DLH	4/22/99	angles	.XXX ±.0020/0.051	MM/INCH		product family	
					0° ±2'			size	
				dr	R. SEIPLE 5/8/87			75060	
				engr	H. SUNDAY 5/8/87			sheet	
				chr	H. SUNDAY 5/8/87	A		1 of 1	
				appd	H. SUNDAY 5/8/87	scale			
sheet index	revision sheet	K	1			cage code		22526	