

Excellent Integrated System Limited

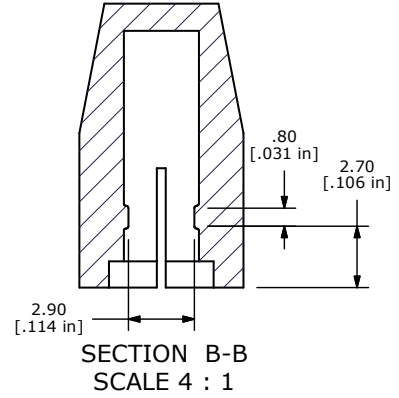
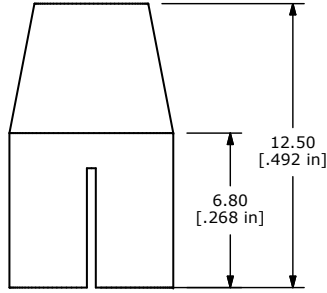
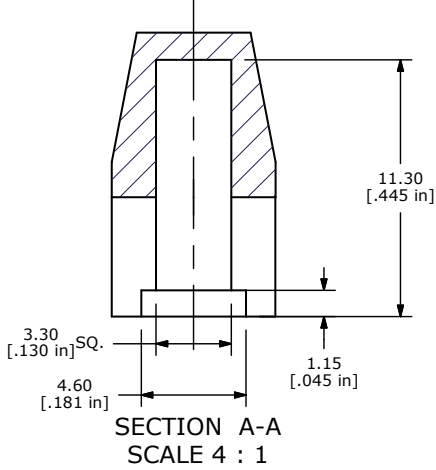
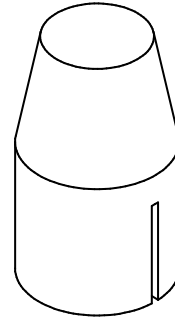
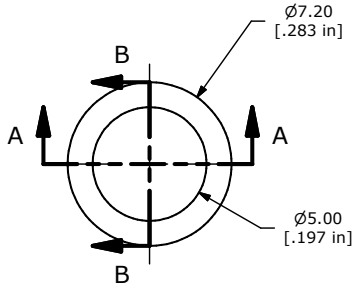
Stocking Distributor

Click to view price, real time Inventory, Delivery & Lifecycle Information:

[E-Switch](#)
[TAMBLK](#)

For any questions, you can email us directly:

sales@integrated-circuit.com



- NOTES:
1. ALL DIMENSIONS IN MM[INCH]
 2. GENERAL TOLERANCE: X.XX=± 0.15
 - ▲3. MATERIAL: ABS UL94HB
 - ▲4. COLOR: BLACK, PANTONE 3C
 5. ▲ DENOTES CRITICAL PARAMATER
 6. 2002/95/EC (ROHS) COMPLIANT



REV	PCR NO	DESCRIPTION	DATE	BY
B	17595	CHANGED DETENT RIBS POSITION	8/27/07	BF
A	15172	NEW RELEASE	8/17/05	PV

TITLE TAMBLK

THE INFORMATION CONTAINED IN THIS DOCUMENT IS PROPRIETARY TO E-SWITCH AND IS NOT TO BE COPIED OR TRANSFERRED

SCALE 4:1	DATE 8/27/2007	DR BF	DWG T041641	REV B
-----------	----------------	-------	-------------	-------