

Excellent Integrated System Limited

Stocking Distributor

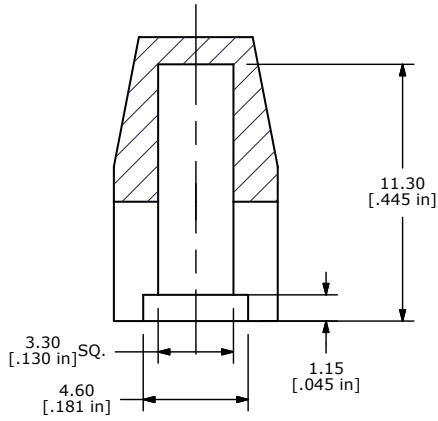
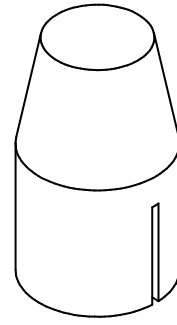
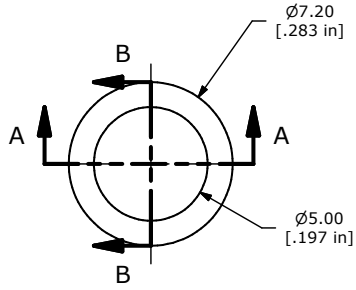
Click to view price, real time Inventory, Delivery & Lifecycle Information:

[E-Switch](#)
[TAMWHT](#)

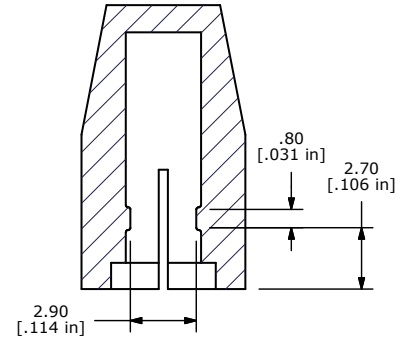
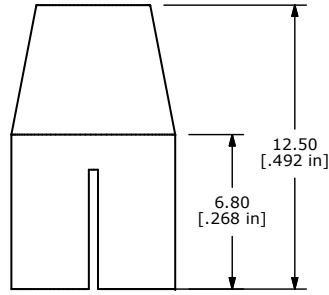
For any questions, you can email us directly:

sales@integrated-circuit.com

SHEET 1 OF 1



SECTION A-A
SCALE 4 : 1



SECTION B-B
SCALE 4 : 1

NOTES:

1. ALL DIMENSIONS IN MM[INCH]
2. GENERAL TOLERANCE: X.XX=±0.15
- ▲3. MATERIAL: ABS UL94HB
- ▲4. COLOR: WHITE
5. ▲ DENOTES CRITICAL PARAMATER
6. 2002/95/EC (ROHS) COMPLIANT

REV	PCR NO	DESCRIPTION	DATE	BY
B	17595	CHANGED DETENT RIBS POSITION	8/27/07	BF
A	15202	NEW RELEASE	8/25/05	PH

THE INFORMATION CONTAINED IN THIS DOCUMENT IS PROPRIETARY TO E-SWITCH AND IS NOT TO BE COPIED OR TRANSFERRED

TITLE TAMWHT				
SCALE 4:1	DATE 8/27/2007	DR BF	DWG T041642	REV B