

## **Excellent Integrated System Limited**

Stocking Distributor

Click to view price, real time Inventory, Delivery & Lifecycle Information:

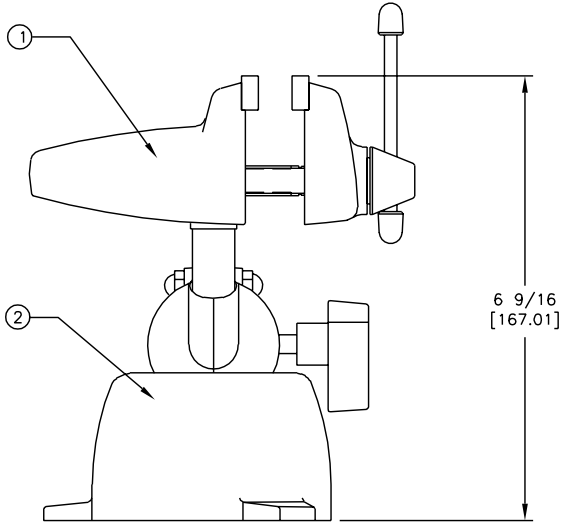
[PanaVise  
301](#)

For any questions, you can email us directly:

[sales@integrated-circuit.com](mailto:sales@integrated-circuit.com)

ALL DIMENSIONS ARE  
FOR REFERENCE ONLY

DIMENSIONS ARE IN INCHES [MILLIMETERS]  
UNLESS OTHERWISE NOTED



PRODUCT SPECIFICATION SHEET			DWG NO	301-SP	
REVISIONS			TITLE		
REV	ECO	DESCRIPTION	BY/DATE		APPROVED
A		INITIAL RELEASE	IB 5 JUN 96		

SPECIFICATIONS

OVERALL HEIGHT ..... 6 3/4 [171.5]  
 BASE MOUNTING HOLES .. 4 5/16 [109.5 ] BOLT CIRCLE  
 SHIPPING WEIGHT ..... 2.7 POUNDS [1.2 KG]  
 COLOR ..... SILVER PAINT  
 VISE OPENING ..... 2 1/4 [57] MAXIMUM

MATERIAL:  
 1. 303 HEAD .... SEE 303-SP SHEET FOR SPECIFICATIONS  
 2. 300 BASE ..... SEE 300-SP SHEET FOR SPECIFICATIONS

(OTHER JAWS AVAILABLE)  
 # 344 ..... GROOVED BLACK NYLON  
 # 352 ..... TEFLON  
 # 353 ..... STEEL ZINC PLATED  
 # 354 ..... BRASS

ALL DESIGN, OPERATIVE, AND PROCESS DATA PERTAINING TO THE ARTICLE ON THIS SHEET IS THE PROPERTY OF PANAVISE PRODUCTS, INC., RENO, NV. THIS INFORMATION IS DISCLOSED IN CONFIDENCE AND IS NOT TO BE COPIED, REPRODUCED, OR REVEALED TO OR APPROPRIATED BY OTHERS, IN PART OR IN WHOLE, WITHOUT THE EXPRESSED CONSENT OF PANAVISE. THIS PRINT IS LOANED, AND MUST NOT BE USED IN ANY MANNER DETRIMENTAL TO THE INTEREST OF PANAVISE, AND MUST BE RETURNED ON DEMAND



**PANAVISE®**

7540 Colbert Drive, Reno, Nevada 89511-1225  
 Phone (702) 850-2900, Fax (702) 850-2929

BASIC DIM. ENGLISH [ALTERNATE DIM. METRIC]

DRAWN	DATE	SCALE	SHT	OF
I BENNETT	5 JUN 96	NONE	1	1

TITLE  
 STANDARD PANAVISE  
 MODEL 301

SIZE	DWG. NO.	REV
A	301-SP	A