

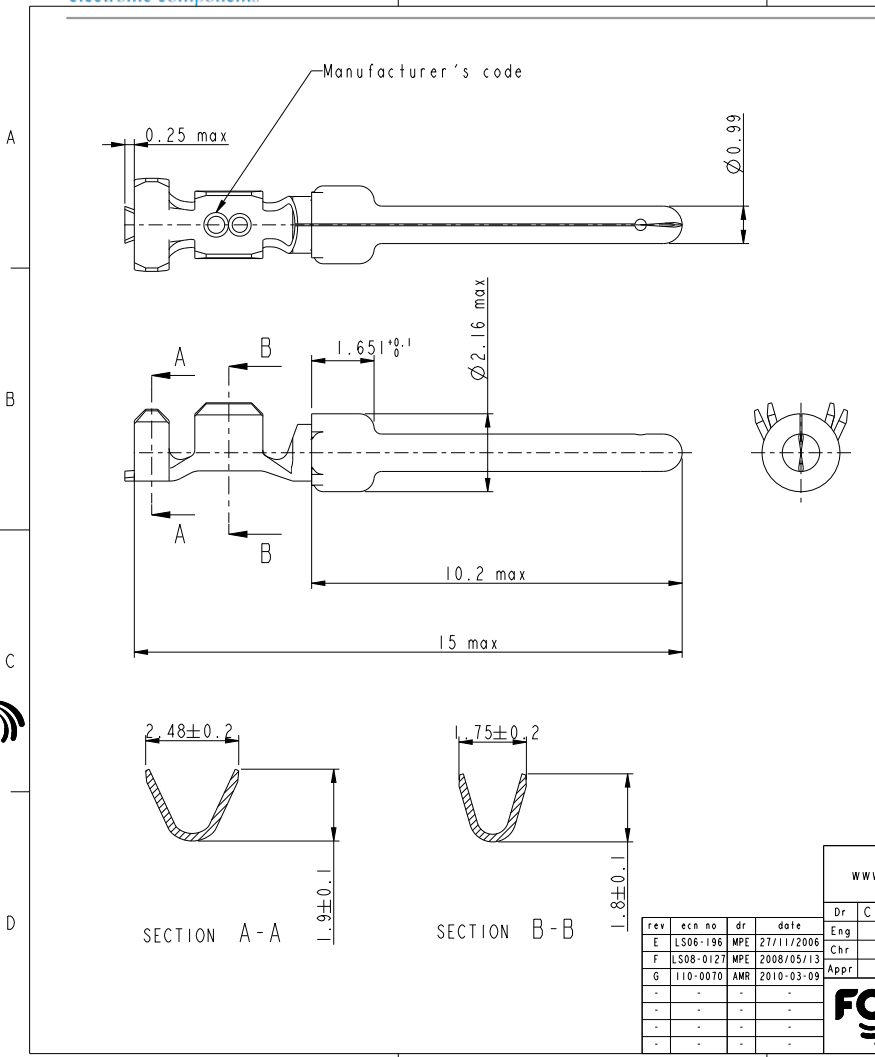
Excellent Integrated System Limited

Stocking Distributor

Click to view price, real time Inventory, Delivery & Lifecycle Information:

[FCI](#)
[86563005064LF](#)

For any questions, you can email us directly:
sales@integrated-circuit.com



NOTES:

- 1-Material: Phosphor bronze, thickness 0.20
- 2-Finish on contact area: see table
finish on termination: bright tin over nickel
- 3-Wire range: 20 to 24 AWG
- 4-Max outer dia of wire insulator: 1.73 mm
- 5-Current carrying capacity per contact:
 - 5 Amps max when crimped to #20 AWG
 - 5 Amps max when crimped to #22 AWG
 - 3 Amps max when crimped to #24 AWG
- 6-After 5 insertions into connector, contact retention must be 5 pounds axial load min
- 7-When contact is crimped to 20 AWG, the insulation support crimp height must be 1.78 mm max to ensure a proper insertion into housing
- 8-Reel should be continuous without any contacts missing in between
- 9-Packaging: Reel of 400 contacts

NOTE: ROHS INFORMATIONS

The LF products meet European union directives and other country regulations as described in GS-22-008
Terminations plating spec: 2µm Nickel min + 2µm Sn min
Packaging spec: see GS-14-920

PULL PART	-
86563005064LF	Flash Au
86563005064	Flash Au
PART NUMBER	Plating

www.fciconnect.com		surface ISO 1302	tolerance std ISO 406 ISO 1101	projection mm
Dr C JARRY 28/01/97		TOLERANCES UNLESS OTHERWISE SPECIFIED		mm
Eng		ANGULAR	0.X ±0.3	size A3 Scale 10:1
Chr		LINEAR	0.XX ±0.1	ECN 110-0070
Appr		0° ±2°	0.XXX ±0.05	Spec ref
Product family			D-SUB	
FCJ		title CRIMP PIN		Rev. G
		#Wire 20-24 Ø1.52 max		customer sheet 1 of 1
		catalog no		C01-8656-1503

rev	ecn no	dr	date
E	LS06-196	MPE	27/11/2006
F	LS08-0127	MPE	2008/05/13
G	110-0070	AMR	2010-03-09

Copyright FCI

REV F - 2004-04-17

1

2

3

FDM: Rev:G

STATUS Released

Printed: Apr 24, 2010