

Excellent Integrated System Limited

Stocking Distributor

Click to view price, real time Inventory, Delivery & Lifecycle Information:

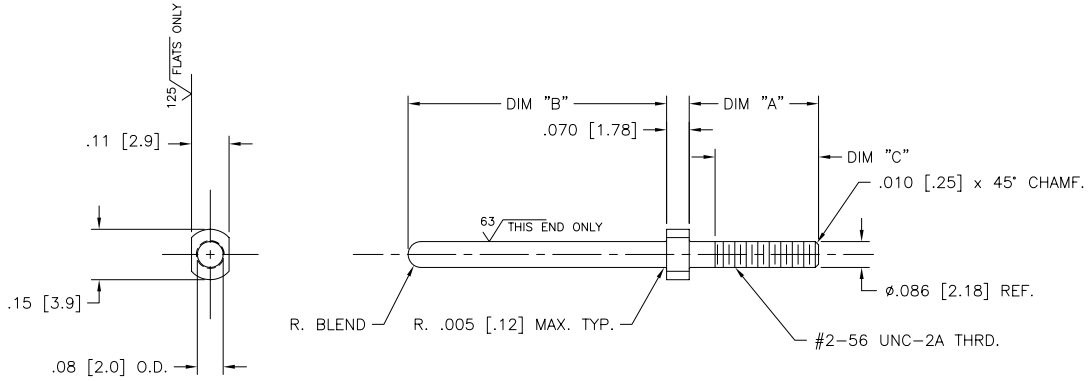
[FCI](#)
[77031-102](#)

For any questions, you can email us directly:

sales@integrated-circuit.com

PRODUCT NO. NOTE 8	DIM "A"	DIM "B"	MATERIAL	DIM "C"*	SHEET NO.	APPLICATION NOTES
77031-102 77031-102LF	.37/9.5	.585/14.86	STAINLESS STEEL AISI 430 or 416	.320/8.13	SEE SHT. 2	3
77031-103 77031-103LF	.50/12.7	.585/14.86		.320/8.13	SEE SHT. 3	4
77031-106 77031-106LF	.43/10.9	.585/14.86		.320/8.13	SEE SHT. 4	5
77031-113 77031-113LF	.75/19.1	.585/14.86		.320/8.13	SEE SHT. 5	6 AND 7

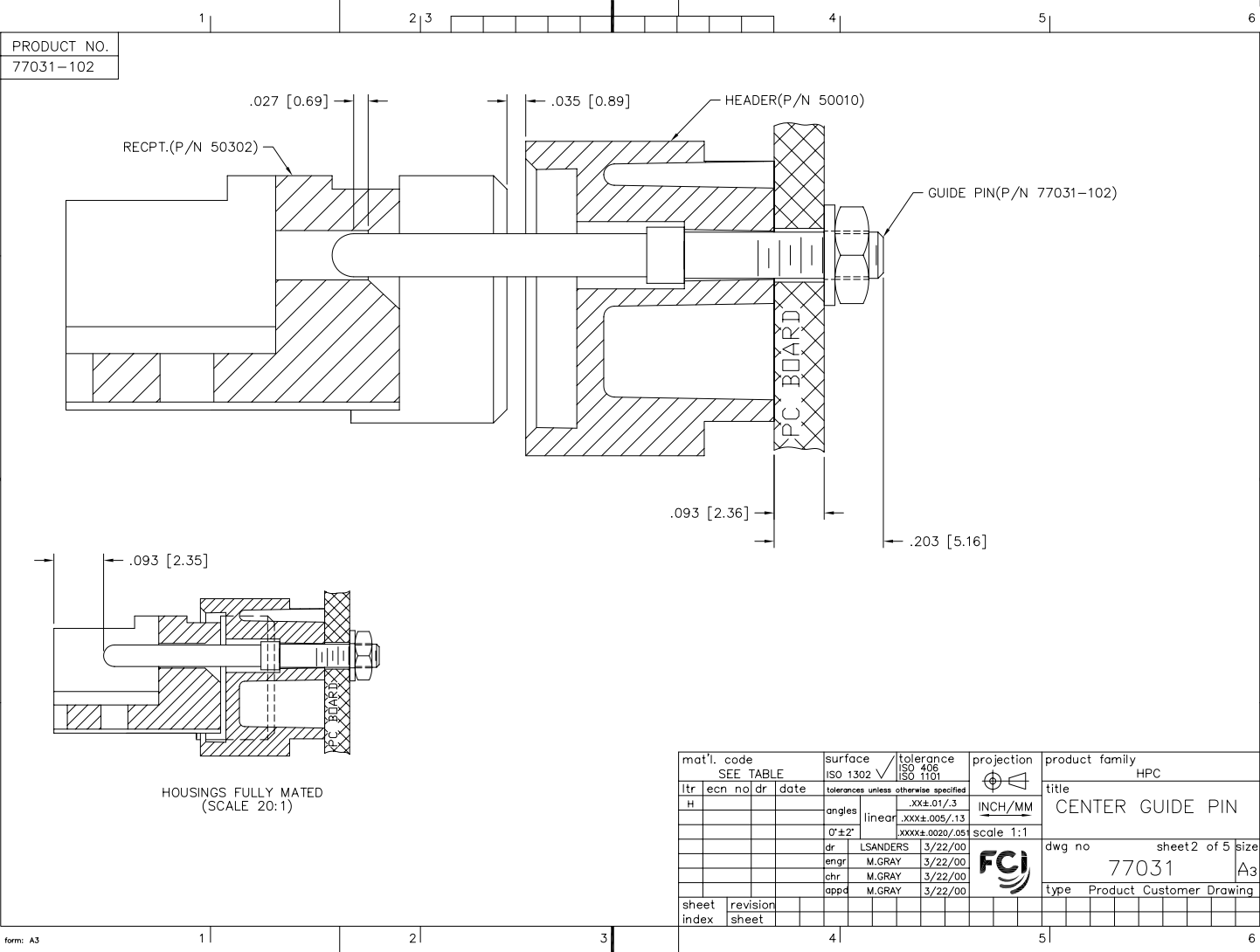
* MINIMUM THREAD LENGTH



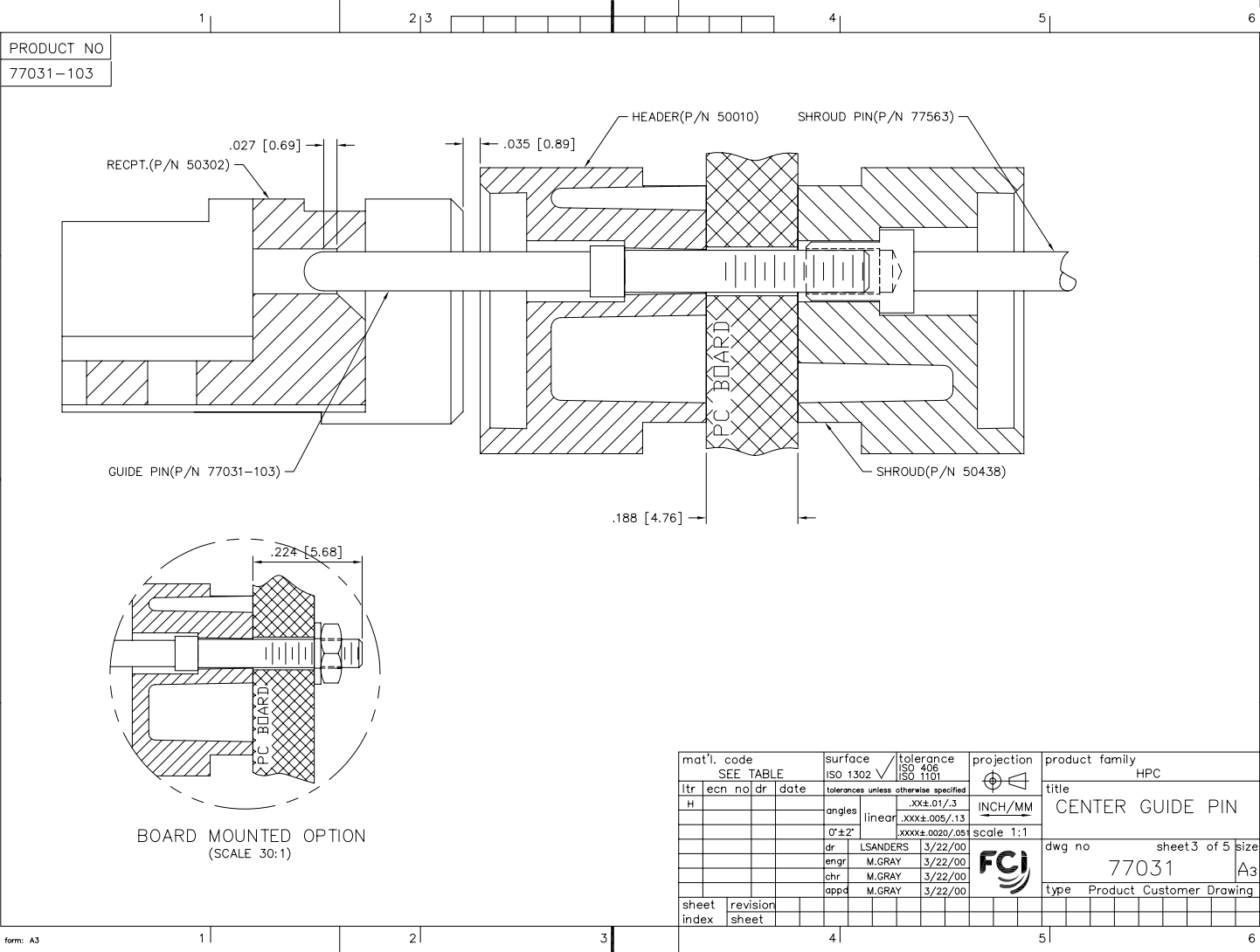
NOTES:

1. MECHANICAL GUIDANCE ONLY.
2. GUIDE PIN IS .027 [.68] LONGER THAN WHAT IS REQUIRED TO ALIGN CONNECTORS WHEN HOUSING FACES ARE .035 [.88] APART.
3. SHROUD CAN'T BE USED WITH THIS GUIDE PIN.
4. GUIDE PIN MAY BE USED WITH A SHROUD OR SCREWED TO A .187 [4.74] PCB.
5. GUIDE PIN MAY BE USED WITH...
... SHROUD AND .125 [3.17] PCB.
... NUT, WASHER, AND .125 [3.17] PCB.
6. GUIDE PIN MAY USE SHROUD OR SCREW.
APPLICATION MAY USE MOUNTING FRAME.
7. MAXIMUM STACK IS .480 [12.20].
8. ADD AN LF SUFFIX TO PART NUMBERS FOR PRODUCT THAT MEETS EUROPEAN UNION DIRECTIVES AND OTHER COUNTRY REGULATIONS AS DESCRIBED IN GS-22-008.
9. THIS PRODUCT IS NOT INTENDED TO BE EXPOSED TO MANUFACTURING SOLDER PROCESSES.

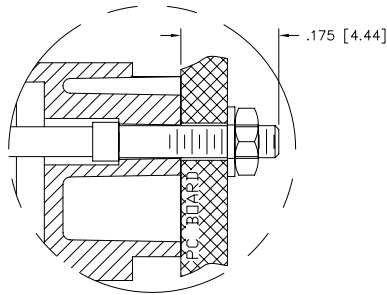
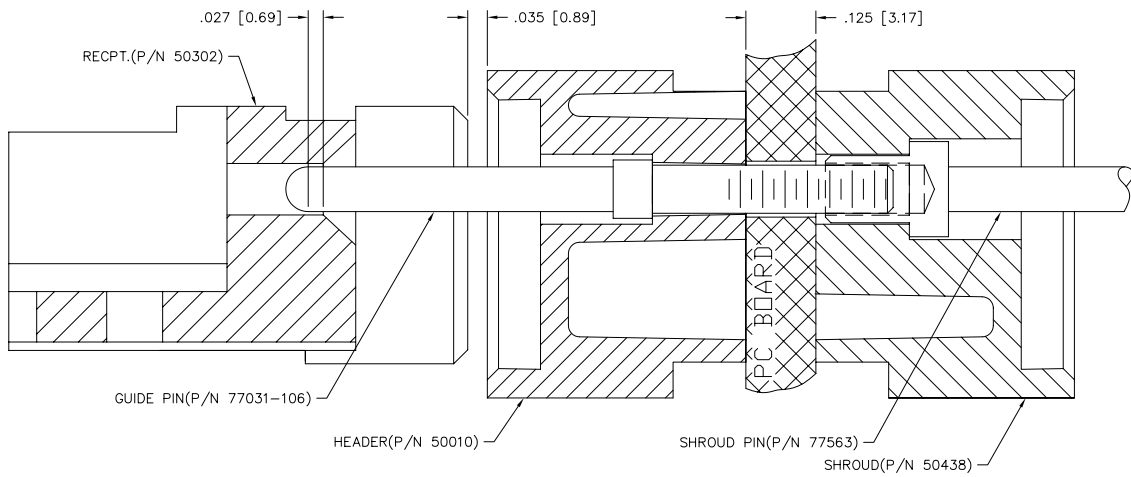
mat'l. code		surface		tolerance		projection		product family	
SEE TABLE		ISO 1302		ISO 406		ISO 1101		HPC	
ltr	ecr	no	ldr	date	tolerances unless otherwise specified		INCH/MM		title
D	V20385	MRC		3/27/92	angles	.XX±.01/.3	scale 1:1		CENTER GUIDE PIN
E	V32128	GIP		11/18/93	linear	.XXX±.005/.13			
F	V00717	LSS		3/22/00	0°±2'	.xxxx±.0020/.05			
G	V05-0964	HTB		10/18/05	dr	LSANDERS	3/22/00		dwg no
H	M06-0260	MHT		7/07/06	enrg	M.GRAY	3/22/00		sheet 1 of 5 size
					chr	M.GRAY	3/22/00		77031
					appd	M.GRAY	3/22/00		A3
sheet	revision	H	H	H	H	H	type Product Customer Drawing		
index	sheet	1	2	3	4	5			



mat'l. code		surface		tolerance		projection		product family	
SEE TABLE		ISO 1302		ISO 406		ISO 1101		HPC	
ltr	ecm	no	dr	tolerances unless otherwise specified		INCH/MM		title	
H				angles	.XX±.01/.3	scale 1:1		CENTER GUIDE PIN	
				linear	.XXX±.005/.13			dwg no	
				0'±2'	.xxxx±.0020/.05			77031	
			dr					sheet 2 of 5 size	
			enr					A3	
			chr					type	
			appd					Product Customer Drawing	
sheet	revision								
index	sheet								

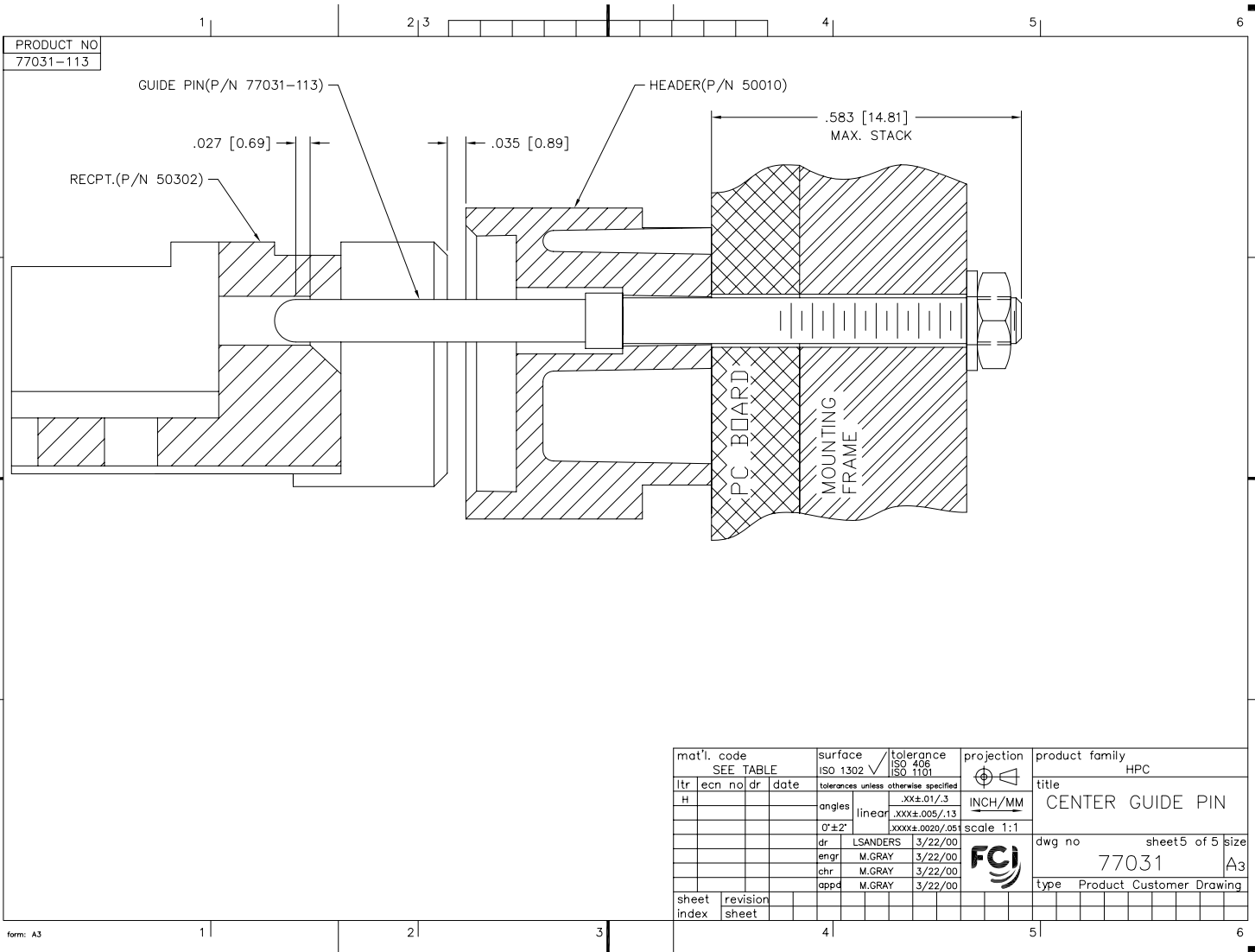


PRODUCT NO
77031-106



SCREW MOUNTED OPTION
(SCALE 30:1)

mat'l. code		surface	tolerance	projection	product family
SEE TABLE		ISO 1302	ISO 406	ISO 1101	HPC
ltr	ecm no	dr	date	tolerances unless otherwise specified	title
H				angles .XX±.01/.3	CENTER GUIDE PIN
				linear .XXX±.005/.13	INCH/MM
				0°±2'	scale 1:1
		dr			FCI
		enr	LSANDERS	3/22/00	dwg no
		chr	M.GRAY	3/22/00	77031
		appd	M.GRAY	3/22/00	sheet 4 of 5 size
					A3
sheet	revision				type Product Customer Drawing
index	sheet				



mat'l. code		surface	tolerance	projection	product family
SEE TABLE		ISO 1302	ISO 406		HPC
		ISO 1101	ISO 1101		INCH/MM
ltr	ecm	no	dr	date	tolerances unless otherwise specified
H					angles .XX±.01/.3 linear .XXX±.005/.13 0'±2' .xxx±.0020/.05
					scale 1:1
			dr	LSANDERS	3/22/00
			enr	M.GRAY	3/22/00
			chr	M.GRAY	3/22/00
			appd	M.GRAY	3/22/00
sheet	revision				
index	sheet				

dwg no 77031 sheet 5 of 5 size A3
type Product Customer Drawing